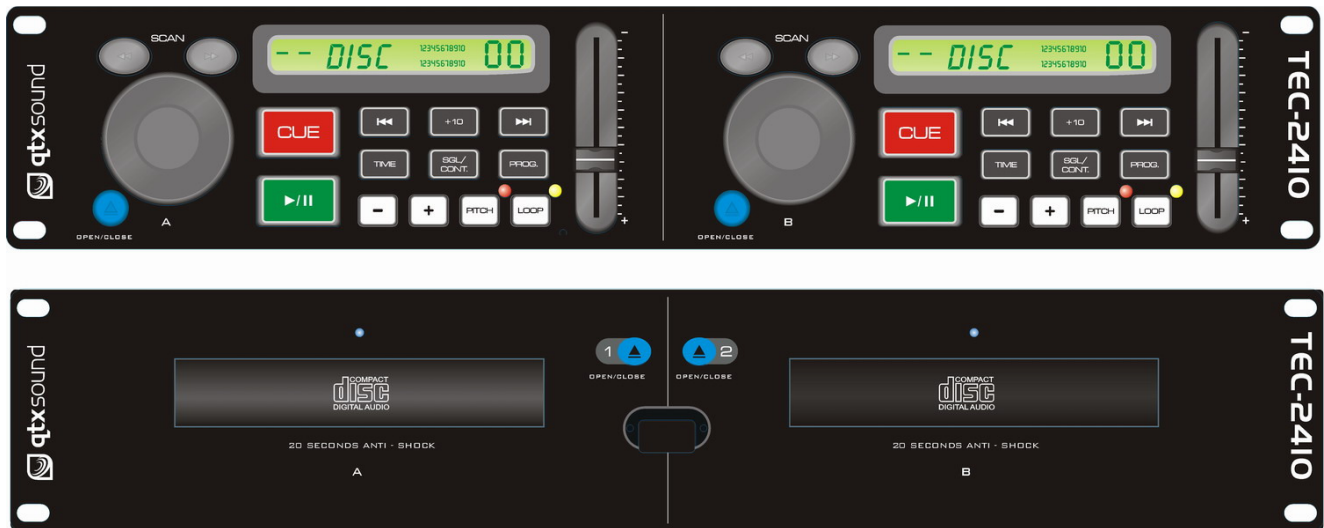




qtxsound

TEC-2410



OWNERS MANUAL

VERSION 1.0

Safety information

1. Read these instructions.
2. Keep these instructions.
3. Heed all warnings.
4. Follow all instructions.
5. Do not use this item near water.
6. Clean only with dry cloth.
7. Do not block any of the ventilation openings. Install in accordance with the manufacture's instructions.
8. Do not install near any heat sources such as radiators, heat registers, stoves or other items (including amplifiers) that produce heat.
9. Do not defeat the safety purpose of the polarized plug. The wide blade is provided for your safety. If the provided plug does not fit into the item or the mains socket, consult an electrician for replacement.
10. Protect the power cord from being walked on or pinched particularly at plug, convenience receptacles, and point where they exit from the item.
11. Only use attachments/accessories specified by the manufacturer.
12. Use only with a cart, stand, tripod, bracket or table specified by the manufacturer, or sold with the item. When a cart is used, use caution when moving the cart/item combination to avoid injury.
13. Unplug this item during lighting storms or when unused for long periods of time.
14. Refer all servicing to qualified service personnel. Servicing is required when the item has been damaged in any way, such as power supply cord or plug is damaged, liquid has been spilled or objects have fallen into the item, the item has been exposed to rain or moisture, does not operate normally, or has been dropped (note: accidental or cosmetic damage is not covered by the items 12 month warranty)
15. Please keep the unit in a safe environment.
16. Do not store anything on top of the item.



CAUTION
DO NOT OPEN
RISK OF ELECTRIC SHOCK



CAUTION: To reduce the risk of electric shock, do not remove any cover. No user-serviceable parts inside. Refer servicing to qualified service personnel only.



The lightning flash with arrowhead symbol within the equilateral triangle is intended to alert the user to the presence of un-insulated "dangerous voltage" within the product's enclosure that may be of sufficient magnitude to constitute a risk of electric shock.



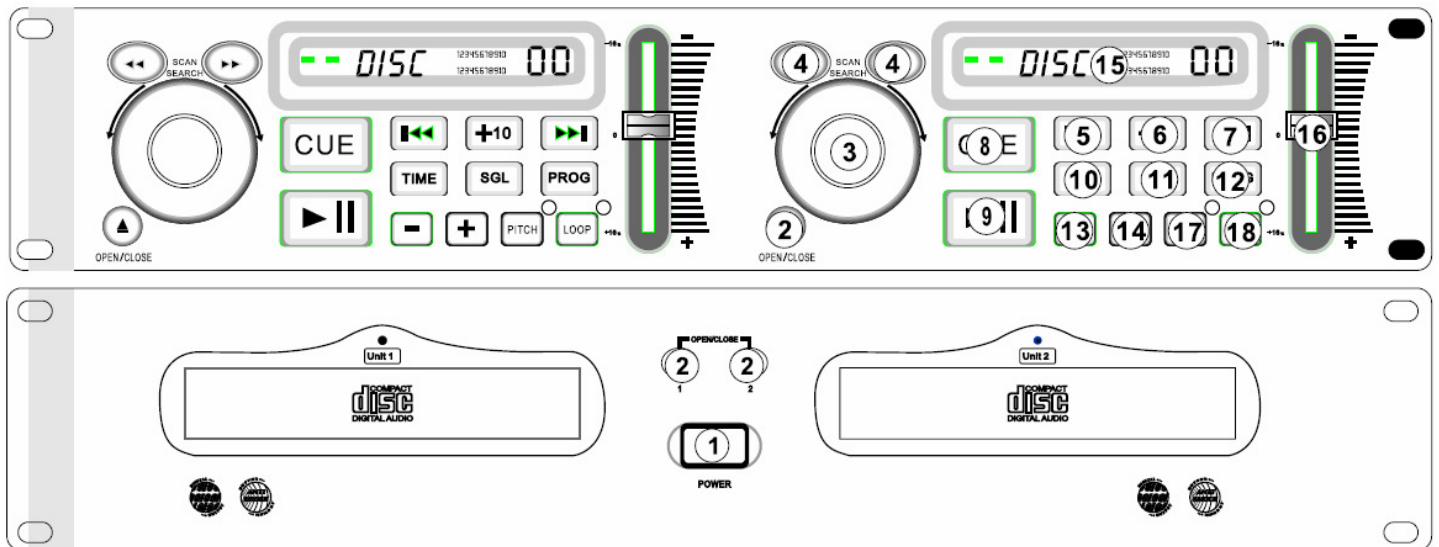
The exclamation point within the equilateral triangle is intended to alert the user to the presence of important operation and maintenance (servicing) instructions in the literature accompanying this appliance.

MAIN FEATURES

- Program play
- 20 Seconds of anti-shock memory
- Instant start
- Search/scan buttons
- Single/Continuous
- +10 Track skip search
- Pitch range: +/-12%

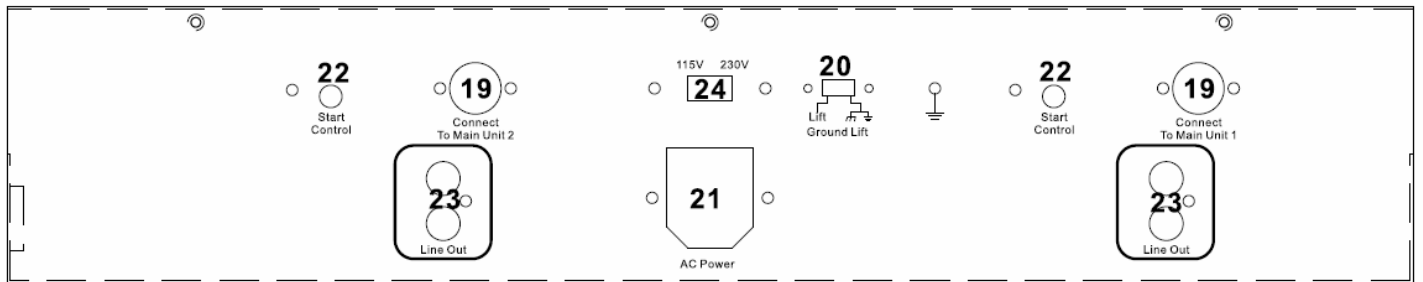
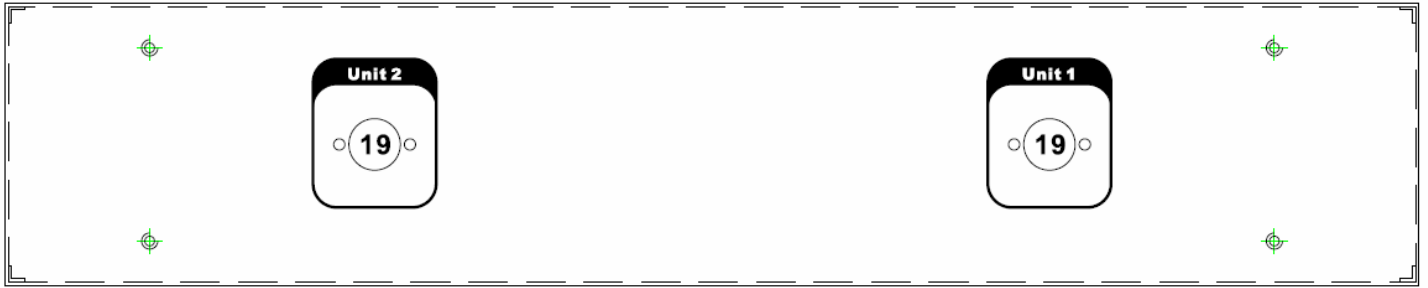
GENERAL FUNCTIONS

FRONT CONTROL UNIT



- 1. POWER ON/OFF** – Press this button to turn the unit ON or OFF.
- 2. OPEN/CLOSE** – This button is used to open and close the corresponding disc tray door.
NOTE: When a disc is loaded, the tray will not open unless the unit is in pause or cue mode.
- 3. JOG WHEEL**
 - 3.1. Playback-mode:** You can temporarily adjust the playback-speed by up to +/- 16 %.
 - 3.2. Pause-mode:** In the pause-mode, the current frame is repeated as soon as you turn the Jog-wheel. You can use the Jog-wheel to quickly or slowly search through the track forwards and backwards. This way you can easily find a Cue-point.
- 4. ◀◀ SEARCH button** – This search button allow you to quickly scan backward through a track.
 - ▶▶ SEARCH button** – This search button allow you to quickly scan forward through a track.
- 5. ◀◀ TRACK button** – This button is used to restart the current track or to select your desired track. Tapping the button will skip backward to the previous track.
- 6. +10 TRACK SKIP button** – This button allows you to skip ahead by 10 tracks. Example: if you are at Track #1, pressing this button will skip you to Track #11, press the button again, it will skip to Track #21. If there are not that many tracks, it will go back to Track #1.
- 7. ▶▶ TRACK button** – This button is used to select your desired track. Tapping the button will skip forward to the next track.

- 8. CUE button** - Pressing the CUE button during playback will immediately pause the track and returns the track to the CUE point. The red CUE BUTTON LED will glow when the unit is in cue mode.
- 9. PLAY/PAUSE button** - Each press of the PLAY/PAUSE BUTTON causes the operation to change from PLAY to PAUSE or from PAUSE to PLAY. While in PLAY mode the play LED will glow, and while in pause mode the play LED will flash.
- 10. TIME button** - The TIME button is used to change the displayed time values. Time can be displayed as elapsed track time or remaining track time.
- 11. SGL/CTN button** - This button allows the unit's play mode to change between Single and Continuous. In single mode the unit will play a single track and return to cue mode. In continuous mode the unit continues to play track by track without any interruptions.
- 12. PROG** - This function allows you to program several tracks to play in succession. Press the PROG button to activate. Use the SKIP button to choose the track you want and press PROG button. Use the SKIP button again to find the next track and press PROG. When you have finished press the PLAY/PAUSE button to play through your PLAYLIST.
- 13. (-) PITCH BEND** - The (-) pitch bend function creates a momentary slow down in the CDs pitch speed by -16% for as long as you hold down the button. Using this function allows the beats between two CDs to be matched.
- 14. (+) PITCH BEND** - The (+) pitch bend function creates a momentary increase in the CDs pitch speed by +16% for as long as you hold down the button. Using this function allows the beats between two CDs to be matched.
- 15. LIQUID CRYSTAL DISPLAY (LCD)** - This high quality LCD indicates all the functions (track number, time, etc.) as they occur. This display is viewable at several comfortable angles as described in the next section.
- 16. PITCH SLIDER** - This slider is used to adjust the playback pitch percentage when the PITCH function is activated. The slider is a set adjustment and will remain set until the pitch slider is moved or the PITCH function has been turned off. The maximum pitch range of the slider is +/-16%. This adjustment can be made with or without a CD in the drive.
- 17. PITCH ON/OFF** - Use to turn the pitch slider ON/OFF.
- 18. LOOP** - Press this button to set the start point of your loop. Press again to set the end point of the loop and press for a third time to cancel loop mode.



- 19. CONNECTION** – Use to provided 13 pin DIN cables to connect the CD player to the head unit.
- 20. GROUND LIFT** – This switch controls the ground connection of this unit.
- 21. AC POWER** – Plug the provided IEC cable in to the unit to power.
- 22. START CONTROL** – Connect to a DJ mixer with FADER START control to instantly start the track using the cross fader of the mixer.
- 23. LINE OUT** – Use the provided RCA cables to connect to the input on a mixer or amplifier.
- 24. POWER SUPPLY SWITCH** – Use this selector to choose the correct corresponding voltage of the power supply. NOTE: The factory setting is set to be suitable for your country of purchase. Do not under any circumstances change this switch as you risk invalidating your warranty.

PREPARATIONS

1. Checking the Contents

Check that the carton contains the following items:

- (1) Main Unit
- (2) Controller Unit
- (3) Operating Instructions (This Booklet)
- (4) Two (2) 13P cable right angle
- (5) Two (2) 2P RCA cable (L/R)
- (6) ONE (1) AC IEC power cable

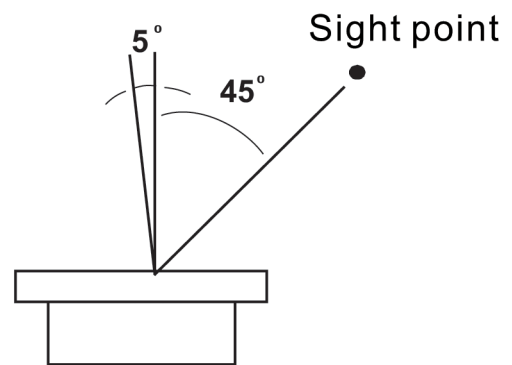
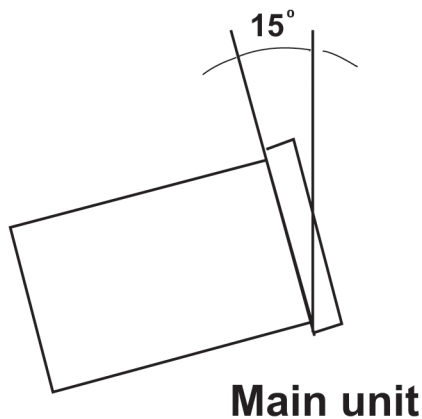
2. Installing the Units

- (1) Place your unit on a flat surface or mount it in a secure rack mount case.
- (2) Be sure the player is mounted in a well-ventilated area where it will not be exposed to direct sunlight, high temperatures, or high humidity.
- (3) Try to place the unit as far as possible from TVs and tuners, as the unit may cause undesirable interference.

CAUTION:

The player will work normally when the main unit is mounted with the front panel within 15 degrees of the vertical plane. If the unit is tilted excessively, discs may not be loaded or unloaded properly.

The control panel's LCDs are designed to be clearly visible within the angles. Mount the control unit so that the visual angle is within this range.



3. Connections

- (1) Turn off the POWER switch
- (2) Connect the 2 x 13 PIN DIN connections from the Main unit to the control units.
- (3) Connect the 2 RCA PIN cable to the input on your mixer.

CAUTION:

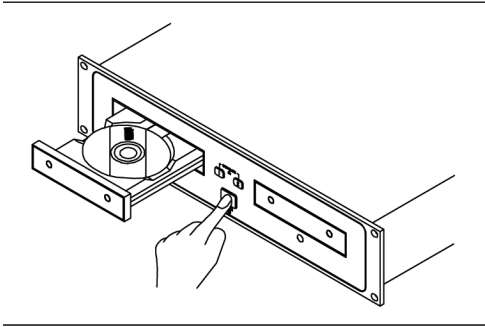
- Be sure to use the supplied control cables.
- Be sure the power is off when connecting the control cables. Otherwise the units may not work properly.

BEFORE SWITCHING OFF THE POWER

When you have finished using the CD player, before switching off the power, be sure that the disc holder had been closed with the OPEN/CLOSE button.

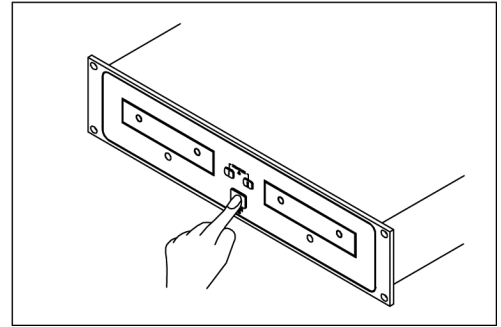
CAUTION:

Do not forcibly close the disc holder when the power is off.



Do not switch off the power when the disc holder is open.

POWER OFF



To avoid damage, please don't switch off the power until "no disc" or "time code" is showed on the LCD after the disc holder has been closed with the Open/Close button.

POWER OFF

COMPACT DISCS

1. Precautions on handling compact discs
 - Do not allow fingerprints, oil or dust to get on the surface of the disc.
 - If the disc is dirty, wipe it off with a soft dry cloth.
 - Do not use benzene, thinner, water, record spray, electrostatic-proof chemicals, or silicone-treated cloths to clean discs.
 - Always handle discs carefully to prevent damaging the surface; in particular when removing a disc from its case or returning it.
 - Do not bend the disc.
 - Do not apply heat.
 - Do not enlarge the hole in the center of the disc.
 - Do not write on the label (printed side) with a hard-tipped implement such as a pencil or ball point pen.
 - Condensation will form if a disc is brought into a warm area from a colder one, such as outdoors in winter.
 - Do not attempt to dry the disc with a hair dryer, etc.
2. Precaution on storage
 - After playing a disc, always unload it from the player.
 - Always store the disc in the jewel case to protect from dirt or damage.
 - Do not place discs in the following areas:
 - (1) Areas exposed to direct sunlight for a considerable time.
 - (2) Areas subject to accumulation of dust or high humidity.
 - (3) Areas affected by heat from indoor heaters, etc.

SPECIFICATIONS

GENERAL	
Dimensions:	Main Unit: 482(W)x 88.8(H)x 262.5(D)mm
	Control Unit: 482(W)x 88.8(H)x 97(D)mm
Weight:	Main Unit: 5.1Kg
	Control Unit: 1.7Kg
Power supply:	AC 115/230V, 60/50Hz
Power consumption:	16.5W
Pitch control range:	within+/-16%
Pitch bend:	+/-16%
Pitch accuracy:	+/- 0.15%

WWW.QTXSOUND.COM