

# KAM

## INSTRUCTION MANUAL

# SOUNDFORCE6

## Passive injection moulded speaker

M A N U A L V E R S I O N 3 . 0

22 / 10 / 10

Woofers: 6.5" Polypropylene  
Tweeter: 0.75" Dome  
Power: 50w  
Power RMS: 50w  
Frequency response: 55Hz to 20kHz  
Sensitivity: 89 dB

Dimensions (WxHxD): 208mm x 348mm x 203mm  
Weight (pair): 6.5Kg

For the latest instruction manual updates and information on the entire Kam range visit:

# [www.kam.co.uk](http://www.kam.co.uk)

Kam products are manufactured by: **Lamba plc**, Unit 1, Southfields Road, Dunstable, Bedfordshire, United Kingdom LU6 3EJ  
Telephone: (+44) (0)1582 690600 • Fax: (+44) (0)1582 690400 • Email: [mail@lambapl.com](mailto:mail@lambapl.com) • Web: [www.lambapl.com](http://www.lambapl.com)

If this product is ever no longer functional please take it to a recycling plant for environmentally friendly disposal.

Due to continuous product development, specifications and appearance are subject to change.

© Copyright Lamba plc 2010. E&OE.

**Thank you for purchasing this product, we are sure that it will serve you for many years to come.**

To optimise the performance of this product, please read these operating instructions carefully to familiarise yourself with the basic operations of this unit. After you have read the instructions, please retain them for future reference.

This unit has been tested at the factory before being shipped to you.

To prevent or reduce the risk of electrical shock or fire, do not expose the unit to rain or moisture. To prevent a fire hazard, do not expose the unit to any naked flame sources. Unplug this apparatus during lightning storms or if it is unlikely to be used for long periods of time.

When installing the unit, please ensure you leave enough space around the unit for ventilation. Slots and openings in the unit are provided for ventilation to ensure reliable operation of the product and to protect it from overheating. To prevent fire hazard, the openings should never be blocked or covered.

Always handle the power cable by the plug. Never pull out the plug by pulling on the cable. Never touch the power cable when your hands are wet as this could cause an electric shock. Do not tie a knot in the cable. The power cable should be placed such that it is not likely to be stepped on. A damaged power cable can cause a fire or give you an electrical shock. Check the power cord periodically, if you ever find that it is damaged, replace it before using the unit again. Contact your retailer for a replacement.

The voltage of the available power supply differs according to country or region. Be sure that the power supply voltage of the area where this unit is to be used meets the required written on the unit.



**The lightning flash symbol inside a triangle is intended to alert the user to the presence high voltage within the unit's enclosure that may be of sufficient power to constitute a risk of electrical shock to persons.**

**Caution: to prevent the risk of electric shock, do not attempt to open the unit. No user-serviceable parts inside. Refer all servicing to qualified service personnel.**

**The exclamation mark inside a triangle is intended to alert the user to the presence of important operating and maintenance instructions in the literature accompanying the appliance.**

Any modification carried out on the unit may invalidate the unit's warranty.

If applicable, only use the stand, tripod or bracket specified or sold with the apparatus.

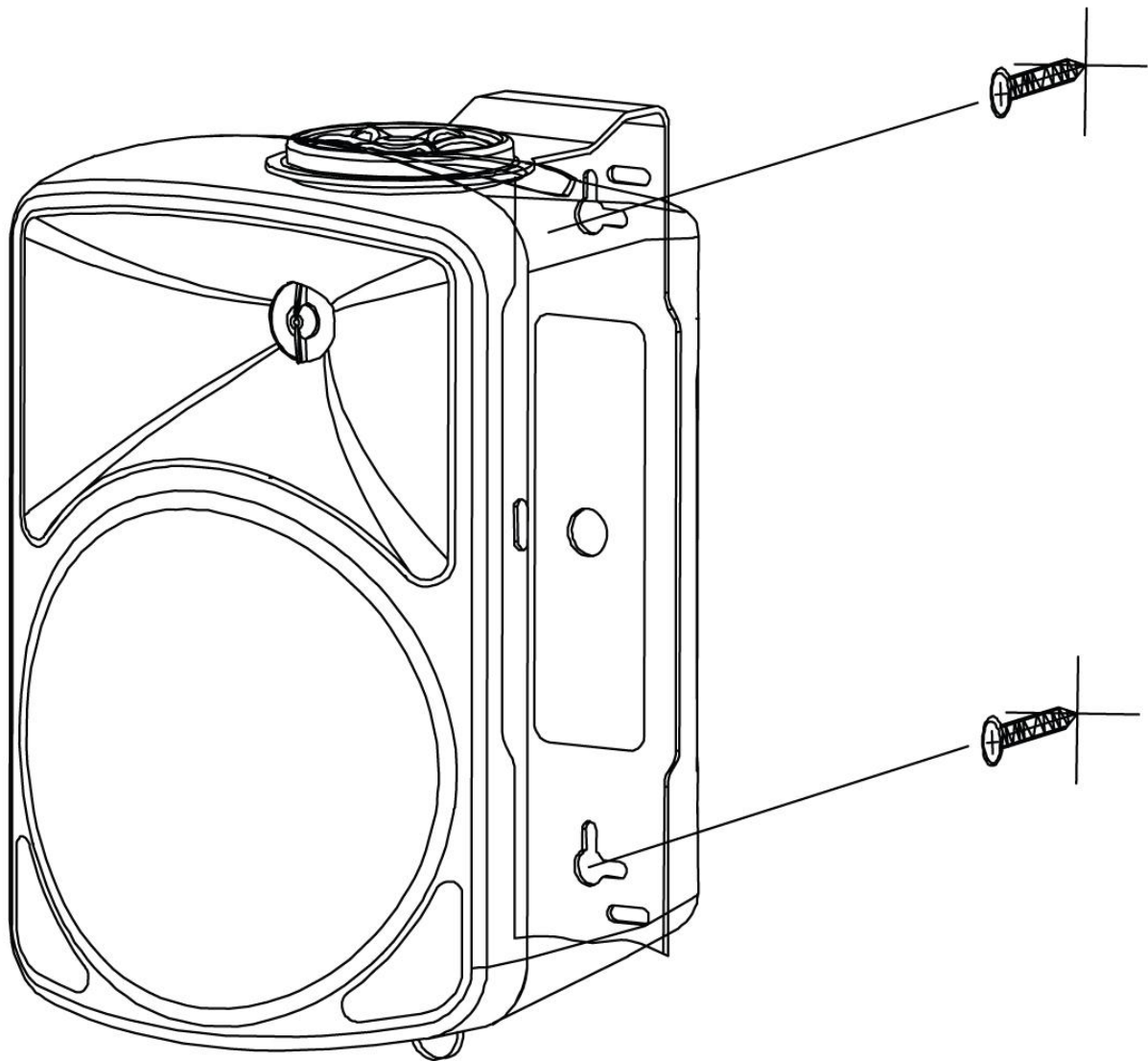
Select the installation location of your unit carefully. Avoid placing it in direct sunlight or locations subject to vibration and excessive dust. Do not use the unit where there are extremes in temperature (below 41°F / 5°C or exceeding 95°F / 35°C).

Unpacking and safety: Please unpack your new product carefully, your new product should reach you in perfect condition. Please check that no damage has occurred during transit. If any damage is found, do not operate your unit. Please contact the retailer you purchased it from immediately. If there is any damage to the mains cable do not use the device. Always disconnect the unit from the mains supply when carrying out any servicing or cleaning of the unit.

If applicable, when disconnecting the power cord from the AC outlet, always remove by the plug, never pull the power cord. If there is any damage to the mains cable do not use the device. Always disconnect the unit from the mains supply when carrying out any cleaning of the unit.

If applicable, make sure all gain/volume controls are set to minimum before plugging an audio source in. Power down the unit and disconnect it from the mains power supply before making any connections.

The serial number for this equipment should be located on the rear or underside of the unit. Please make a note of this number as you will need it for your warranty, it is a good idea to keep a copy of the serial number for your own records.



### Specification

Woofer: 6.5" Polypropylene

Tweeter: 0.75" Dome

Power: 50w

Power RMS: 50w

Frequency response: 55Hz to 20kHz

Sensitivity: 89 dB

Dimensions (WxHxD): 208mm x 348mm x 203mm

Weight (pair): 6.5Kg

