



DMX-D8 8 WAY DMX Booster/Distributor

USER MANUAL:

154.102UK Version 1.0

INTRODUCTION

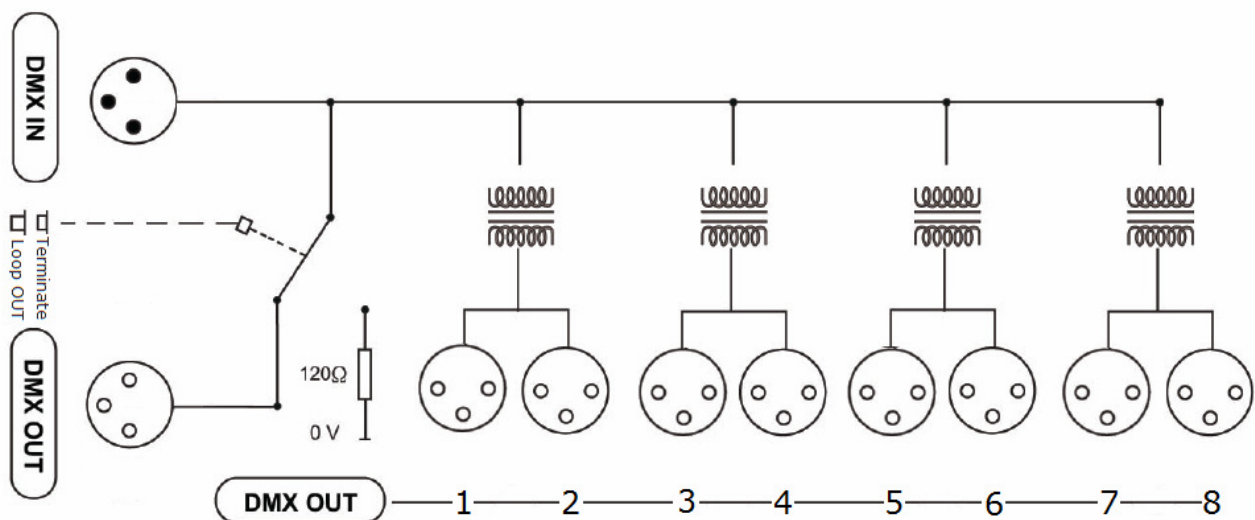
An 8 way DMX Booster/distributor has one input, loop through and four electrically opto isolated outputs. Both DMX input and DMX output are provided with 3 pin XLR connectors making it universally compatible with most lighting systems. This item is ideally used for splitting the signal over a large area or to isolating individual fixtures making it quick and easy to highlight and fix faulty fixtures without the whole system failing.

- DMX Loop out or DMX terminated switch
- 8 x Opto isolated DMX outputs
- LED data indicators
- Powered by mains to maintain a strong signal.

IN THE BOX

- 1 x DMX-D8
- 1 x IEC POWER LEAD
- 1 x MANUAL

CIRCUIT DIAGRAM



WARNING BEFORE USE:

This item is for professional use only. Please take note of the following instructions before using this device.

- This unit must be earthed.
- Do not turn on the power until all connections are securely made.
- DMX-D8 will not work if 32 fixtures are fitted before the distributor.
- DMX-D8 should not have more than 32 fixtures per output channel
- Always use a DMX terminator at the end of a DMX chain.
- Always disconnect from the mains before replacing the fuse
- There are no user serviceable parts.

SPECIFICATION:

Power supply:	230Vac, 50Hz
DMX Inputs:	1
DMX Outputs:	8
DMX Isolators:	4 (2 channels per each isolator)
Size:	280 x 180 x 75mm
Weight:	2.3kg



Please disposal of the unserviceable device according to the current statutory requirements.

Copyright protected by QTX Light Manchester

WWW.QTXLIGHT.COM