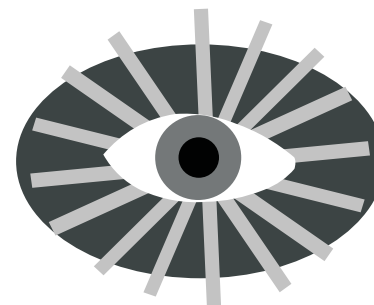


LIGHTING

LED



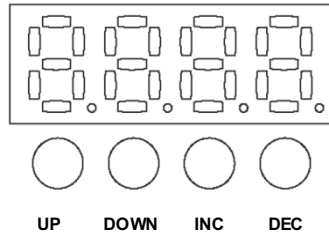
Instruction

Manual

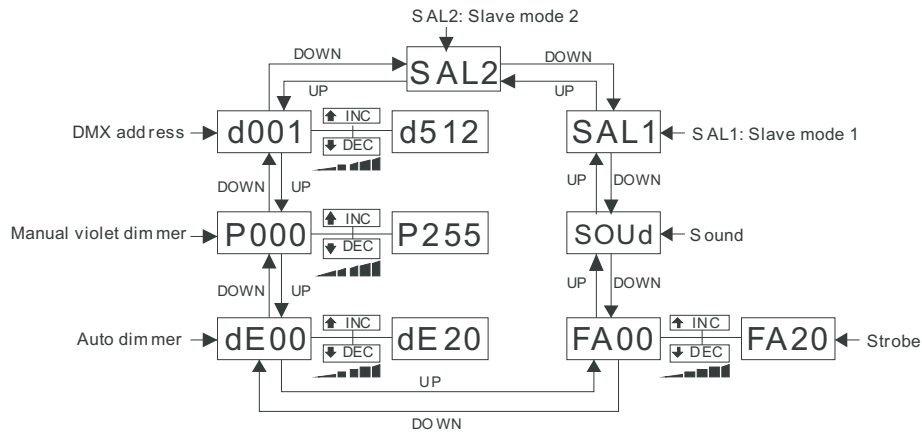
LED PAR64 LIGHT

User Manual

Please read this manual carefully before operating the LED light



LED DISPLAY FUNCTIONS



DMX VALUES AND FUNCTIONS

Channel	Values	Functions
1	0-255	Manual violet dimmer 0-100%
2	1-255	Strobe speed (brightness controlled by channel 1)
3	0-255	Dimmer automatically channel (1-2 will not work in the mode when channel number is over zero)
4	0-255	Sound control (channel 1-3 will not work in the mode when channel number is over 128)

SPECIFICATIONS

Rate Voltage: AC85-265V 50Hz-60Hz

Rate Power: 20W

Color: UV

Lamp: Super bright, $\Phi 10$, LED lamps

Quantity of Lamp: 177pcs

N.W.: 1.5kg