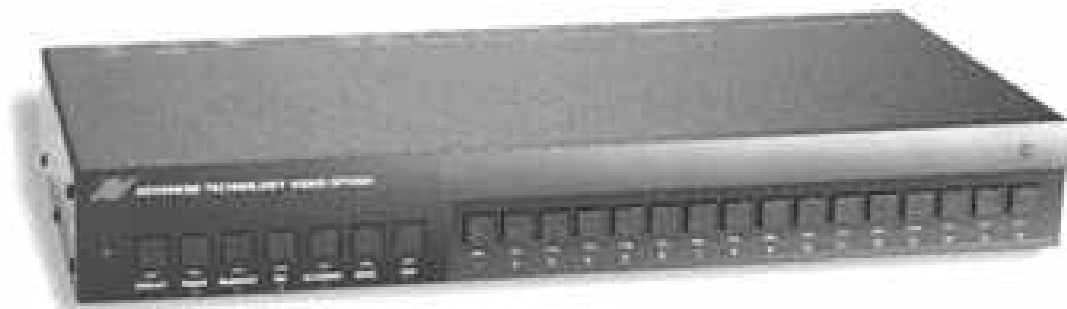


DPX16 16 Camera Duplex Color W Multiplexer



IR Remote

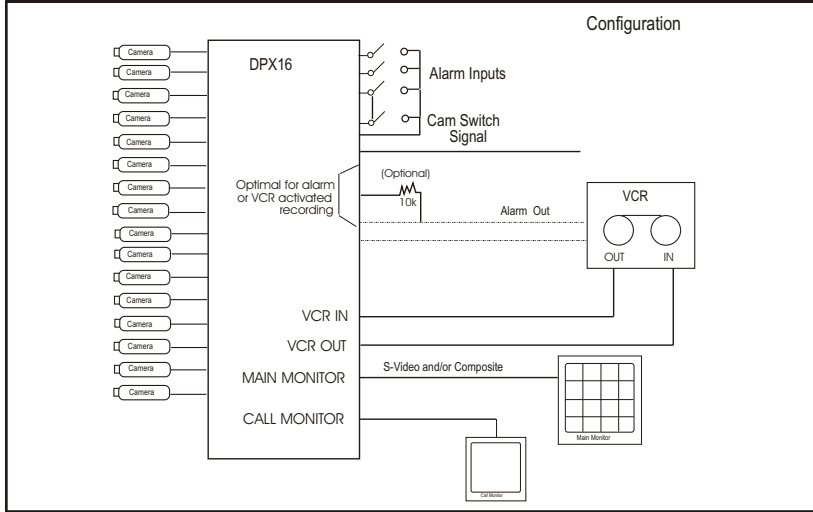
DPX16

Check out this 16 Camera full duplex color multiplexer with ATV's exclusive features such as Real Time Quad view, Multi Directional Motion Detection, Squish Screen and IR Remote Control. Now with new displays for alarmed cameras. Great features, high quality and the best price!

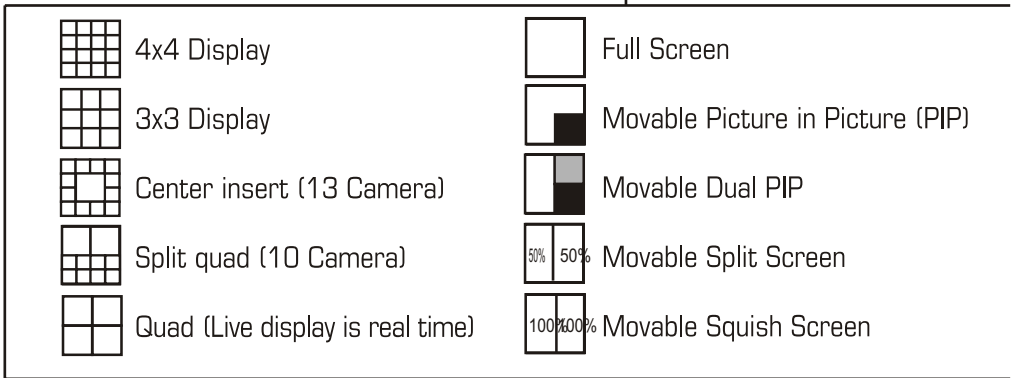
Main Features

- | | |
|--|---|
| <ul style="list-style-type: none"> 16 Camera Input Full Looping Output Activity Detection Multi Directional Motion Detection Covert Camera Real Time Quad Display Live Roll Free Sequencing in all display modes High Definition Digital Color Processing Simultaneous Record / Playback Utilizing Two VCR's Freeze / Master Enable Input Call Monitor Output, Sequencing Camera Switch Input On Screen Menu / Advanced Menu Multi Camera Alarm Displays | <ul style="list-style-type: none"> 5x Zoom Alarm Camera Set 16 Alarm Inputs, 1 Alarm Output Alarmed Camera Continuous Recording Option Alarming, Custom Alarming, Video Loss Alarm Alarm Log, Alarm Scheduling Enhanced Security Lockout "Customplexing" (priority camera multiplexing) Custom VCR Delay Table VCR Bypass DigiLock VCR Playback Stabilization AGC on all Inputs RS-232 Serial Port S-VHS Output to Monitor S-VHS Input / Output to VCR Dual Code IR Remote Control High Speed Multiplexing Alternate Language (English, Spanish, German, French) Selectable Text Color |
|--|---|

DPX16 16 Camera Duplex Color Multiplexer



Duplex Live / Playback Modes:



Specifications:

Video NTSC/EIA and PAL/CCIR Compatible
Signal Format: NTSC/EIA: 525 Lines, 60 Fields per sec
 PAL/CCIR: 625 Lines, 50 Fields per sec

Resolution: 720(H) x 480(V) (NTSC/EIA)
 720(H) X 576(V) (PAL/CCIR)

Camera Inputs: 0.6 TO 1.2p-p 75 Ohm Termination

Camera Sync: No special Sync Required

Monitor Output: 1.0Vp-p into 75 Ohm Termination

VCR Output: 1.0 Vp-p into 75 Ohm Termination

Electrical

Power: 12V AC @ 2 Amp
Safety: UL Listed, CSA and CE Certified
EMI: FCC Part 15, Class A, and CE Certified

Mechanical

Dimensions: H:2.20' x W:16.86" x D:7.8"
 H:56.4mm x W:432mm x D: 200mm
Weight: 7.8lbs.(3.55kg), Power Supply:01.0lbs(0.45 kg)
Operating Temp: 32°F - 104°F (0°C - 40°C)

Accessories

ATV Part#:	Description:
RM - DPX16	Infrared Remote Control
RK - DPX16	Rack Mount Kit
PS - DPX16	Power Supply
RCP1	Hardwire Remote
PIDM	Remote Interface