
Instruction Manual

OUTDOOR LED PAR 3W*48



Thank you very much for choosing our product. For safety purpose, please read this manual carefully before your operation. This manual included installation and using information. Please install and operate it according to this manual.

Indexing

Part 1 Product (GENERAL)

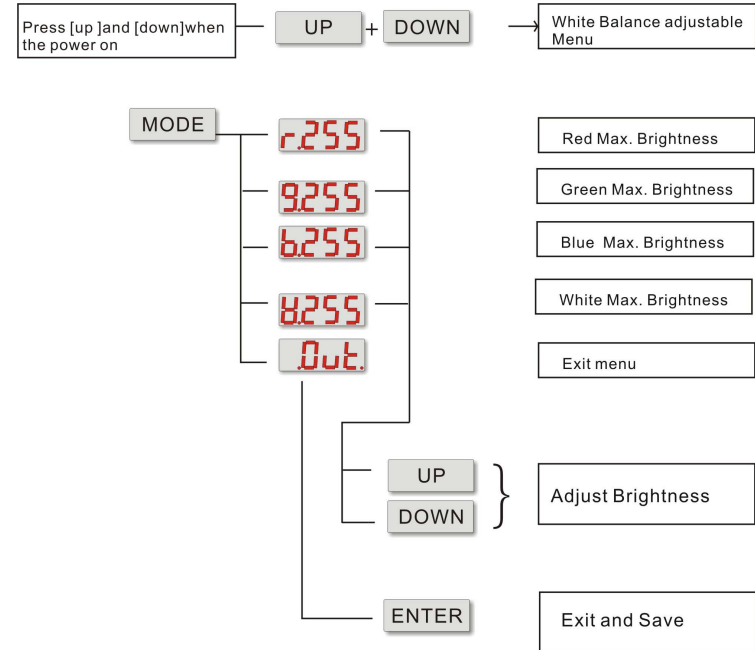
| | |
|------------------------------------|----|
| 1.1--PRODUCT INTRODUCTION..... | 2. |
| 1.2--PRODUCT FEATURES..... | 2. |
| 1.3--TECHNICAL SPECIFICATIONS..... | 3. |
| 1.4--PHOTOMETRIC DATA..... | 4 |
| 1.5--SAFETY WARNING..... | 5 |

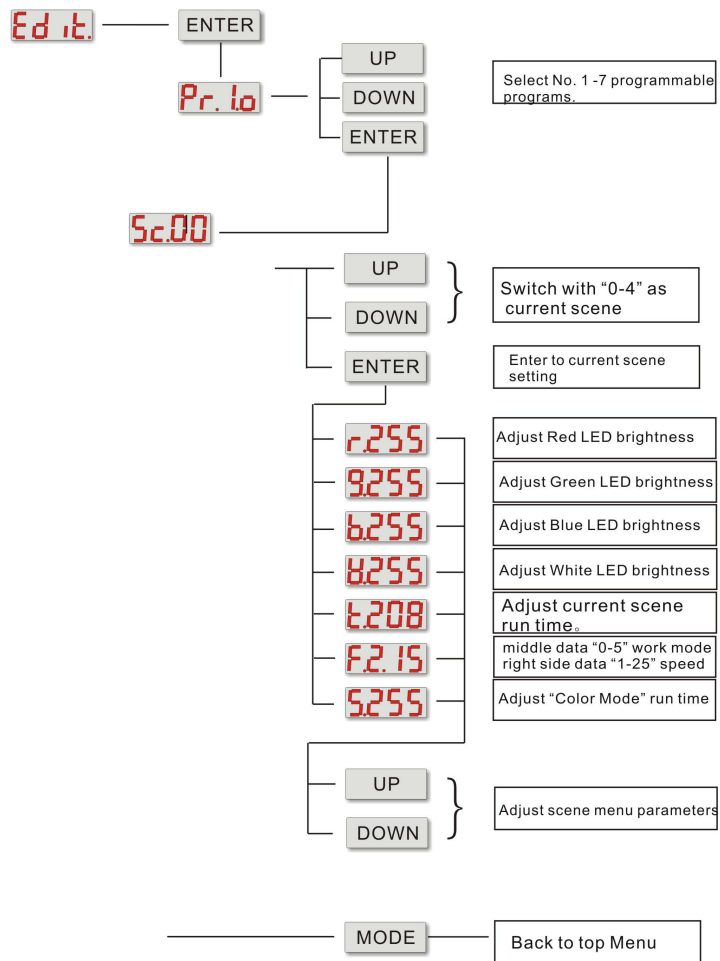
PART 2 INSTALLATION.....7.

| | |
|---|----|
| 2.1--MOUNTING..... | 7 |
| 2.2--SETTING UP WITH A DMX512 CONTROLLER..... | 7. |
| 2.2-1--DMX512 ADDRESSING WITHOUT IP ADDRESSING..... | 7 |
| 2.2-2--DMX512 ADDRESSING WITH IP ADDRESS..... | 8 |
| 2.2-3-- DMX Channel instruction..... | 10 |

PART 3 DISPLAY PANEL OPERATION.....11

| | |
|--|----|
| 3.1-- Display panel menu instruction..... | 11 |
| 3.2--DMX512 address set (DMX)..... | 11 |
| 3.3-- IP address set (IP)..... | 11 |
| 3.4 Auto-program parameters set(AUTO) | 11 |
| 3.5-- Scene Edit (EDIT) | 12 |
| 3.6-- Master / Salve machine set HOST/SLAVE..... | 13 |
| 3.7-- Display Menu instruction (general)..... | 14 |





Part 1 Product

1.1 Product introduction

This product is designed for Outdoor use. Suitable applications include wash or effect lighting for architectural, stage or nightclub applications. This product can also be installed for use in signage and advertising using the dynamic functions available with DMX512 control. Direct input of DMX512 signal allows the units to be controlled from any DMX512 controller. This product can be operated as a single unit or in multiple units for large applications.

The specially developed controller that allows the product to be controlled independent of the DMX512 controller enables the user to create and edit a wide range of custom programs. All programs can be touch-button displayed or scheduled to START and END at scheduled times. When programs have been created or edited in the controller, it is also possible to trigger these programs using the DMX IN function when connected to a DMX512 controller.

1.2 Product Features

- Optical system: 1-256 grades electric adjustable, mini within 100ms
- Strobe: Same step speed adjustable strobe, random electric strobe, pulse strobe.

- **Operation mode:** Standard DMX512 signal (9 channels), Intelligent IP addressing separately, Intelligent IP group addressing
- **Display panel:** 4-LED digital display DMX address code, test or play auto-programs.
- **Auto-mode:** 74 preset color change programs. 7 program parameters changeable by DMX console Master/Slave mode without DMX console
- Set white balance via software to guarantee same bright color
- Self-check inside temperature of lighting fixture. Overheat auto-protection.

1.3 Technical Specifications

Voltage: AC90-259v, 50/60Hz
AC230V--0.6A, AC115V—1.2A

IP rating: IP66

Power: 150W

Light Source: 48 *3W LED lamp
Red 12pcs, Green 12pcs, Blue 12pcs, Cool White 12pcs

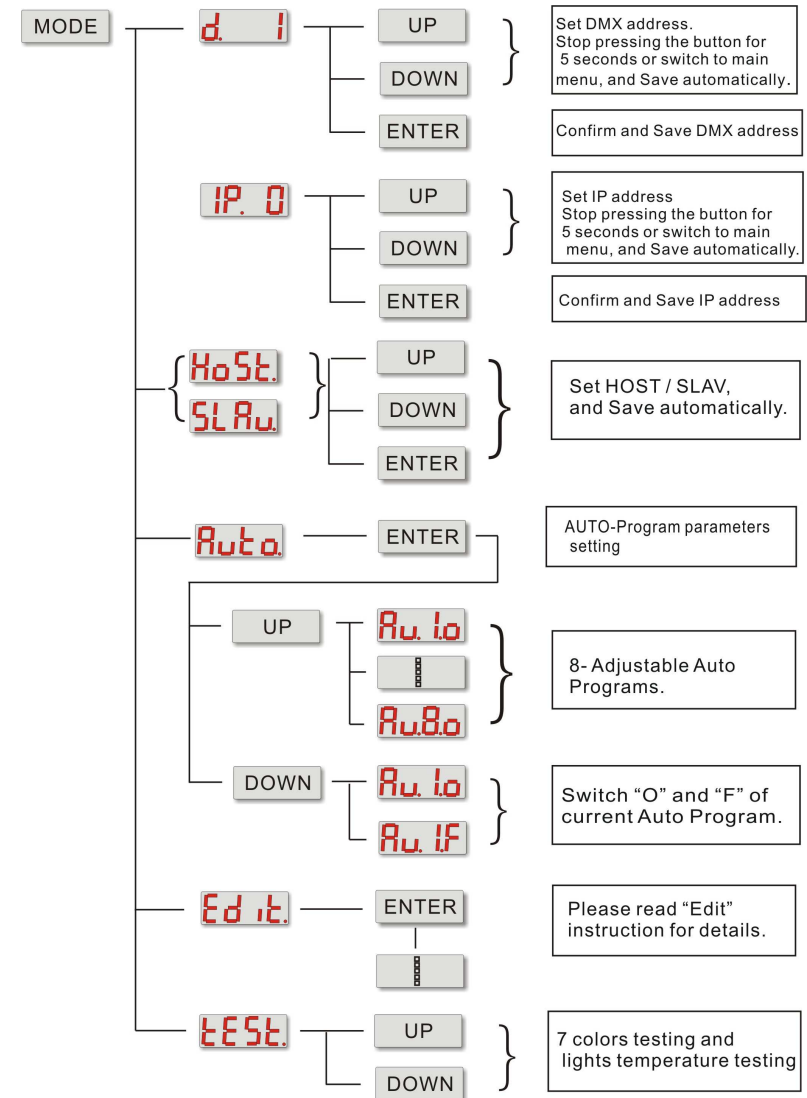
Lifespan: around 100,000 hours

Beam angle: 30° (Optional 16°、25°、35°、45°)

Net Weight: 5.5Kg

Size: 250 x 220 x 300mm

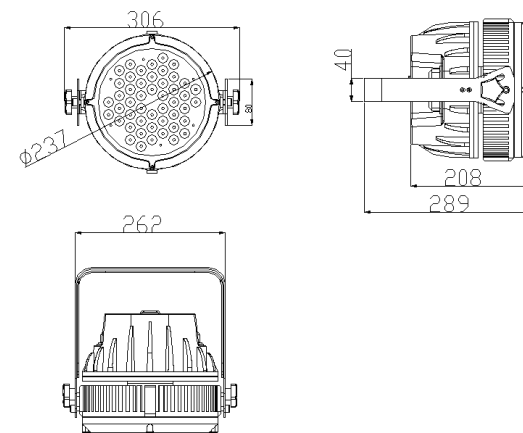
PART 3 Display Panel Operation



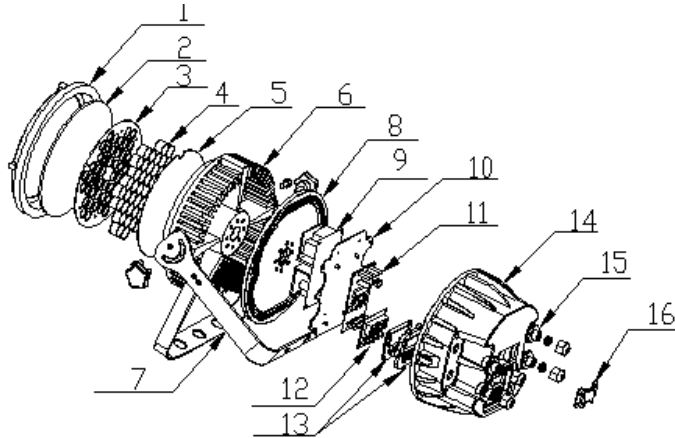
2.2-3 DMX Channel instruction

| Channel | Function & Effect | DMX Value |
|---------|-------------------------------------|---------------|
| CH1 | Dimmer 0~255% | 0-255 |
| CH2 | RED 0~255% | 0-255 |
| CH3 | GREEN 0~255% | 0-255 |
| CH4 | BLUE 0~255% | 0-255 |
| CH5 | WHITE 0~255% | 0-255 |
| CH6 | COLOR MACRO (7 preset color effect) | 0-255 |
| CH7 | Strobe | 0-255 |
| CH8 | Strobe speed | 0-255 |
| CH9 | IP ADDRESS0 – 50groups | 0-127 128-255 |

1.4 Dimension



1.5 Construction



| NO. | ITEM |
|-----|---|
| 1 | Front Cover |
| 2 | Waterproof PVC lens |
| 3 | LED lens board |
| 4 | Lens |
| 5 | LED lamp board |
| 6 | Cooling aluminium system for light head |
| 7 | Bracket |
| 8 | Joint part for light head & set |

| NO. | ITEM |
|-----|-------------------------------------|
| 9 | Power supply |
| 10 | Power supply stand |
| 11 | Main driving PCB |
| 12 | Display PCB |
| 13 | Waterproof system for display PCB |
| 14 | Waterproof cover for electric parts |
| 15 | Waterproof and cover of cables |
| 16 | Safety chain fix parts |

- Any DMX address in the range from 001 to 500 may be used.

2.2-2 DMX512 ADDRESSING WITH IP ADDRESS

- Connect the DMX512 controller to the units in series
- Each unit has 9 DMX channels so the DMX Addresses should increase by increments of 9 (e.g. 1,10,19,28...)
- Each DMX Address may be used as many times as required.
- Any DMX address in the range from 001 to 500 may be used.
- Each DMX address may carry up to 64 separate IP address..IP should be set in the menu on each unit in ascending values (i.e. 1, 2, 3...)
- IP addresses are accessible from Ch9 on the DMX512 controller.

PART 2 INSTALLATION

2.1 Mounting:

2.1-1 Hanging

The LED PAR can be mounted in a hanging position using the supporting bracket. The bracket should be secured to the mounting truss or structure using a standard mounting clamp. Please note that when hanging the unit a safety cable should also be used

2.1-2 Upright

The LED PAR can be mounted in an upright or sitting position using the supporting brackets.

NOTE:

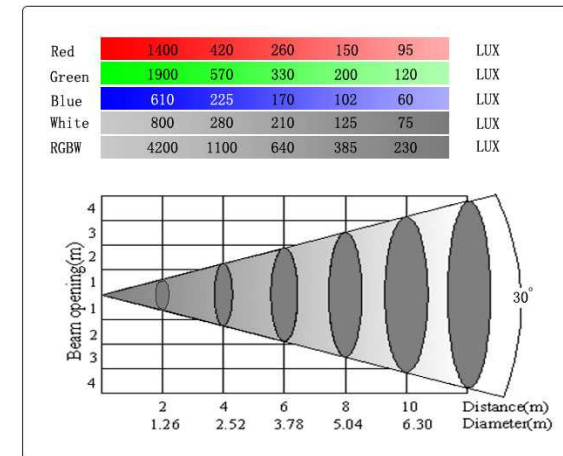
The LED MODULE can be mounted at any angle and in any position. It is possible to further adjust the angle of the LEDMODULE using the two adjustment knobs located on the side of the fixture.

2.2 SETTING UP WITH A DMX512 CONTROLLER

2.2-1 DMX512 ADDRESSING WITHOUT ID ADDRESSING

- Connect the DMX512 controller to the units in series.
- Each unit has 9 DMX channels so the DMX Addresses should increase by increments of 9 (e.g. 1,10,19,28...)
- The ID address has not been set so therefore when using the controller CH8 must be inactive (CH8=0).
- Each DMX Address may be used as many times as required.

1.6 Photometric Data



1.7 Safety Warning

IMPORTANT:

| |
|--|
| <p>ALWAYS READ THE USER MANUAL BEFORE OPERATION. PLEASE CONFIRM THAT THE POWER SUPPLY STATED ON THE PRODUCT IS THE SAME AS THE MAINS POWER SUPPLY IN YOUR AREA.</p> |
|--|

- This product must be installed by a qualified professional.
- Always operate the equipment as described in the user manual.
- A minimum distance of 0.5m must be maintained between the equipment and combustible surface.
- The product must always be placed in a well ventilated area.
- Always make sure that the equipment is installed securely.
- DO NOT stand close to the equipment and stare directly into the LED light source.
- Always disconnect the power supply before attempting and maintenance.
- Always make sure that the supporting structure is solid and can support the combined weight of the products.
- The earth wire must always be connected to the ground.
- Do not touch the power cables if your hands are wet.

ATTENTION:

This product left the place of manufacture in perfect condition. In order to maintain this condition and for safe operation, the user must always follow the instructions and safety warnings described in this user manual.

Avoid shaking or strong impacts to any part of the equipment.

Make sure that all parts of the equipment are kept clean and free of dust.

Always make sure that the power connections are connected correct and

secure.

If there is any malfunction of the equipment, contact your distributor immediately.

When transferring the product, it is advisable to use the original packaging in which the product left the factory.

Shields, lenses or ultraviolet screens shall be changed if they have become damaged to such an extent that their effectiveness is impaired.

The lamp (LED) shall be changed if it has become damaged or thermally deformed.