

KRK VXT8 - Design Features

ABS (Acrylonitrile Butadiene Styrene) Foam Enclosure

High density / low resonance material giving improved structural integrity and rigidity resulting in an extended low-end response. Allows the internal design to have complex shapes and non-parallel walls, increasing rigidity and reducing internal nodes. ABS also has extremely high impact resistance and excellent damping characteristics which reduces cabinet resonance.

Front Firing Radiused / Non-parallel Ports

Facilitates the smooth passage of air molecules which reduces port turbulence at high signal pressure levels. Front firing to avoid wall / corner coupling.

Radiused Enclosure Edges

Eliminating diffraction and phase distortion results in improved imaging characteristics as well as a wider sweet spot at the monitoring position.

Silk Domed Tweeter

The domed tweeter is comprised of true silk for fast transient response. Silk construction reduces ear fatigue and the tweeter waveguide geometry ensures HF directivity.

Woven Kevlar Cone

The inter-molecular hydrogen bonds of Kevlar give the cone high tensile strength for its light weight. Kevlar also maintains its strength and resilience over a wide temperature range. The lightweight and resilient properties of Kevlar reduces distortion and delivers extended low-end performance as compared to cones made from paper or polypropylene.

Proprietary Woofer Design

The aluminum pole and vented formers remove heat and reduce the effects of power compression ensuring audio performance is consistent and does not deteriorate over time.

HF and LF Controls

Adjustment of the LF response is provided to allow compensation for room response and desktop positioning. Adjustment of the HF is provided to compensate for room acoustics or to reduce ear fatigue when listening for extended durations.

Multiple Protection Circuitry

Thermal, over voltage and over-current circuitry is employed in the design. There is also a switchable limiter which will protect the unit from transients in the signal path.

Ground Lift

Allowing the disconnection of the ground terminal to help resolve issues such as hum and buzz caused by ground loops in poorly configured power systems.

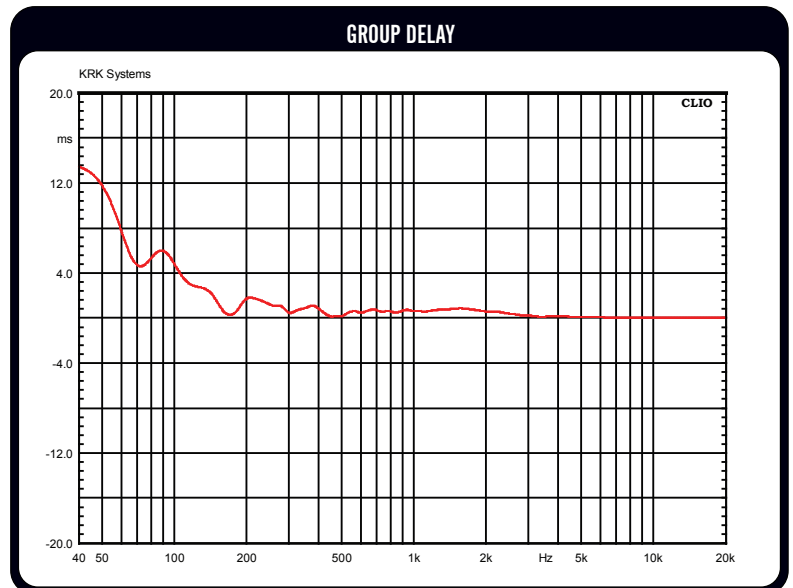
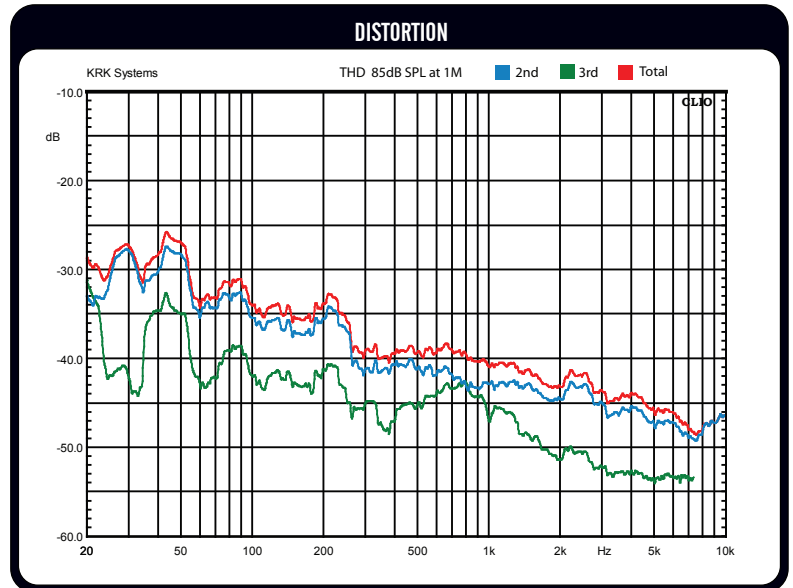
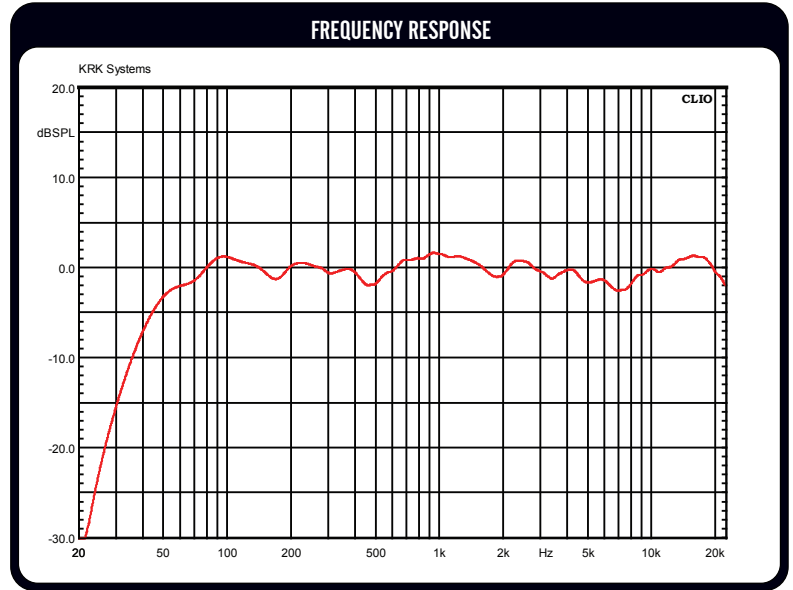


APPLICATIONS

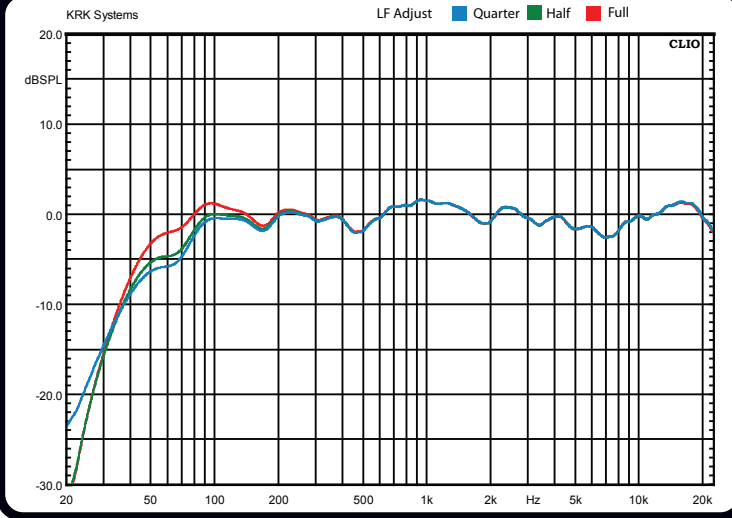
- Nearfield Monitoring
- TV & Broadcast
- Home- & Project-Studios
- Control Rooms
- Multimedia Playback
- Game Developers
- Surround Environments
- Editing Facilities

VXT 8 SPECIFICATIONS

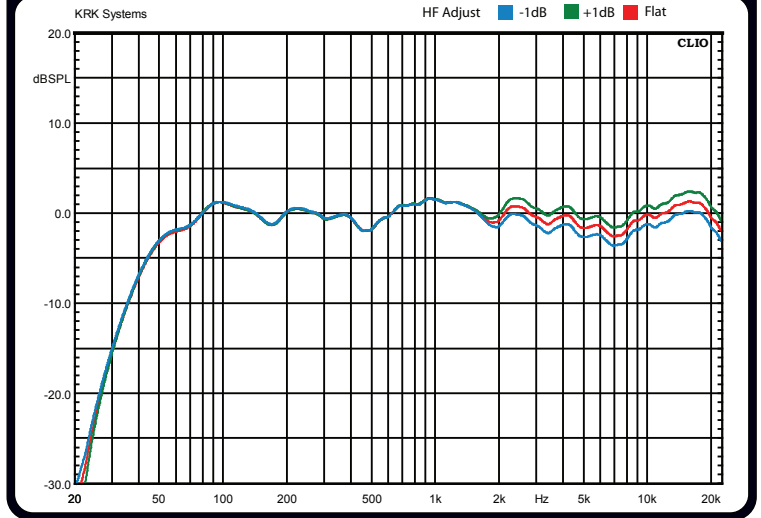
Configuration	2-Way
System type	Active Studio Monitor
Low-Frequency	8" Woven Kevlar woofer
High-Frequency	1" silk dome tweeter
Frequency Response	37Hz - 22kHz (+/- 3dB)
Max Peak SPL	114 dB
Amplifier Class	Class A-B
Power Output	180W
High Frequency	60W
Low Frequency	120W
Input Impedance (Ohms)	10 K Ohm balanced
HF Level Adjust	'+1dB shelf / Flat / -1dB shelf
LF Level Adjust	whole, half, quarter
System Volume	(-30dB - +6dB)
Auto Mute	(on / off)
Indicators	Power, Clip, Limit
Indicator Control	Clip Indicator (On / Off / Limit)
Input Connectors:	
1/4"	Balanced 1/4"/XLR Combo
XLR	Balanced 1/4"/XLR Combo
Ground Lift	On / Off
AC Power Input	Selectable 110V-120V / 220V-240V (50Hz - 60Hz) or 100V (50Hz - 60 Hz)
Enclosure Construction	Structural Foam
Finish	Black Textured Paint
Port Configuration	Front firing slot port
Grille	Optional
Mounting	Bottom
Compatible OmniMount	60.0 WBX
Dimensions (H x W x D)	17.06" x 12.51" x 11.66" 433mm x 318mm x 296mm
Weight	41 Lbs. (16.5 Kg.)



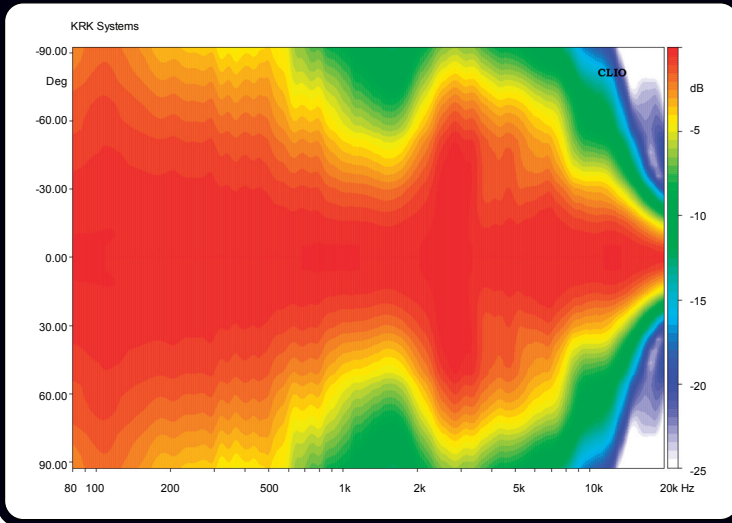
LOW FREQUENCY ADJUSTMENTS



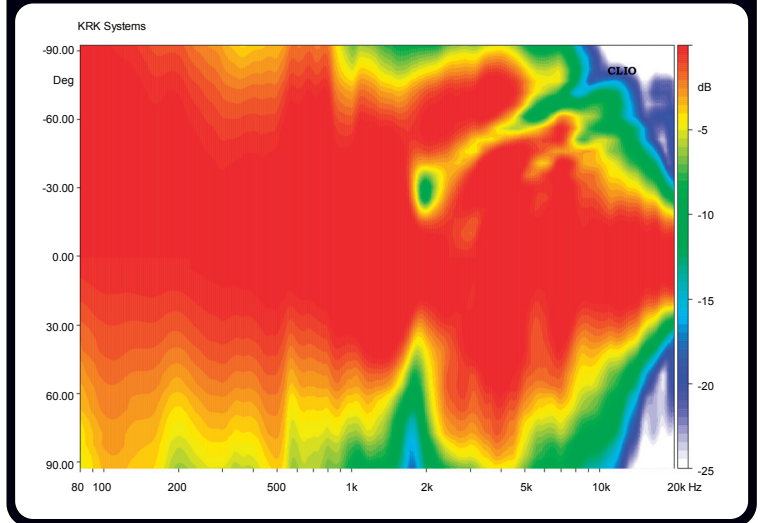
HIGH FREQUENCY ADJUSTMENTS



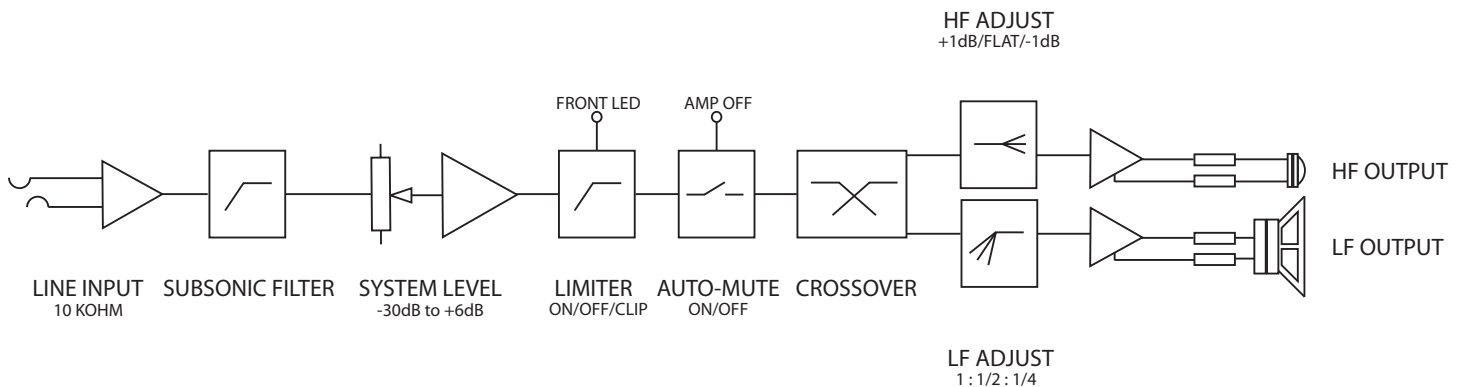
HORIZONTAL DIRECTIVITY



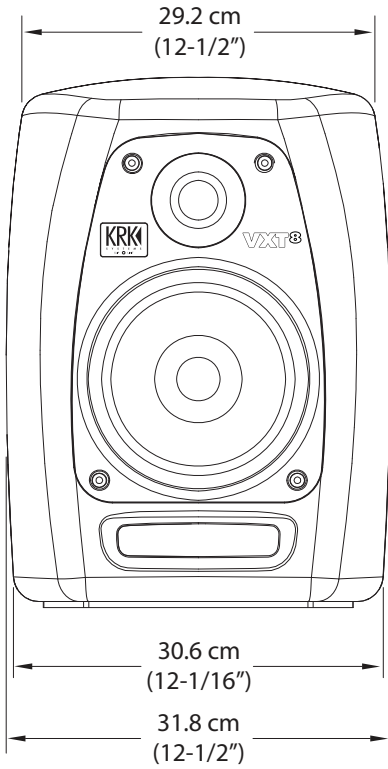
VERTICAL DIRECTIVITY



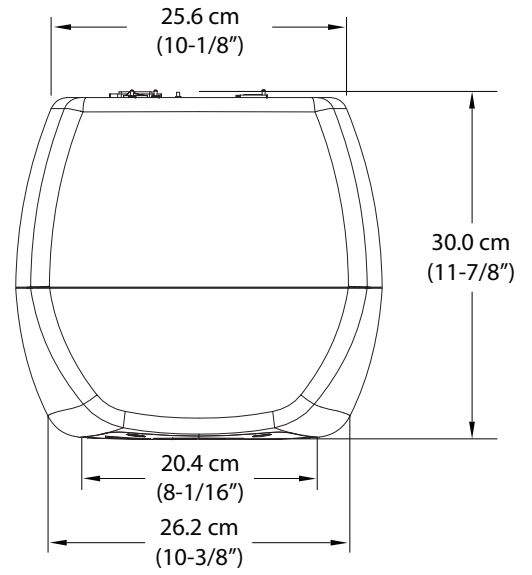
SYSTEM BLOCK DIAGRAM



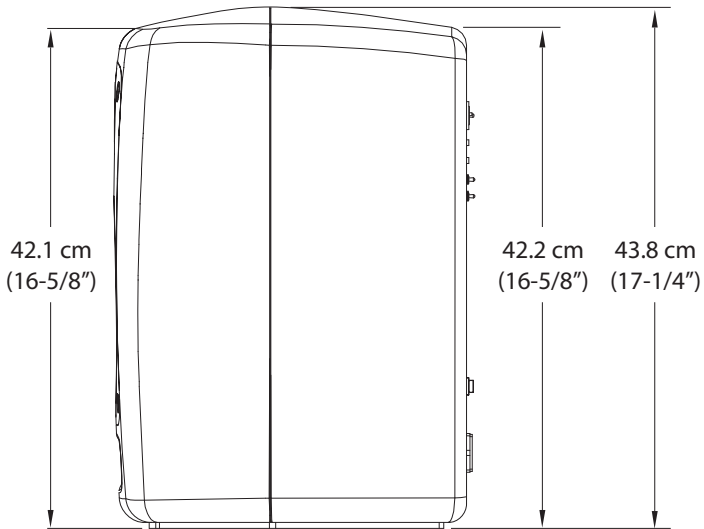
FRONT VIEW



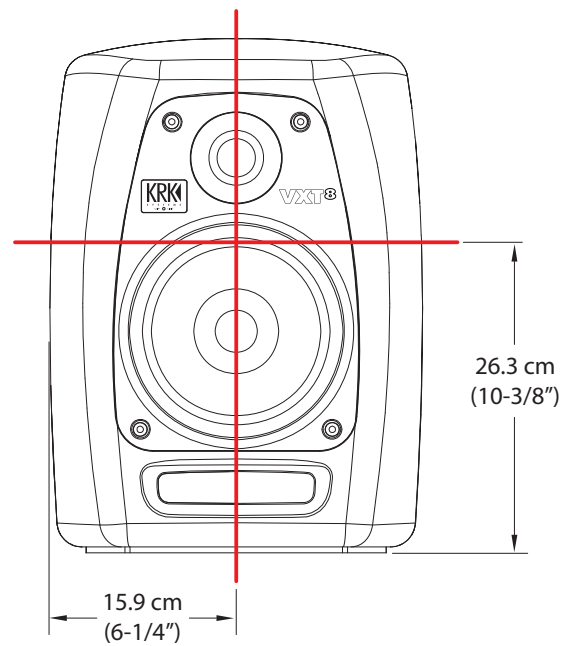
TOP VIEW



SIDE VIEW



ACOUSTIC AXIS



VXT8 BACK PANEL



MOUNTING OPTIONS



VXT 35mm Pole Adapter

KRKSTD4A1
8-16654-00201-3



VXT 6/8 Wall Adapter

KRKSTD68A1
8-16654-00205-1

Each sold separately

