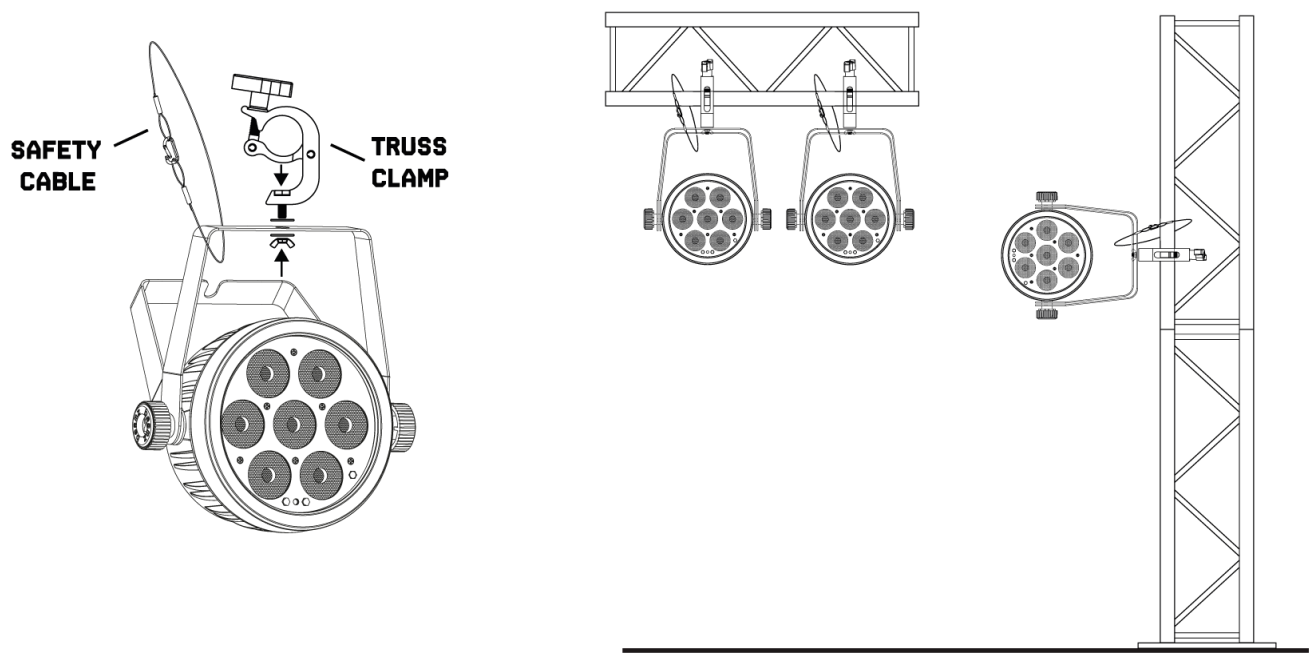




BEAMZ
MADE
EAZY

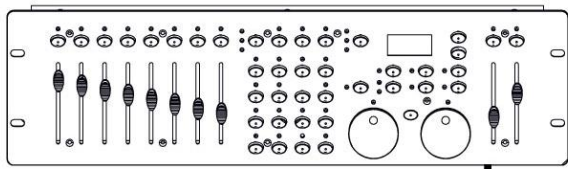
150.898 V1

SLIM PAR45
QUICK START GUIDE

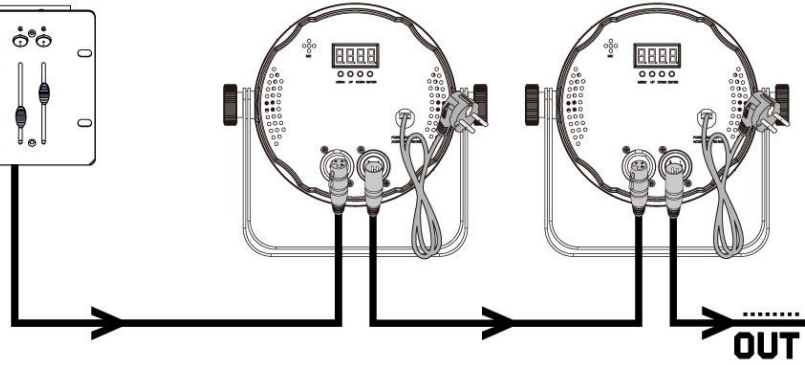


CONTROL MENU

MENU		DESCRIPTION		
DMX MODE	Addr	7CH	dxxx	DMX channel mode and DMX address setting
		4CH	dxxx	
		3CH	dxxx	
STATIC	Stat	S 01-16		Static colours
AUTO	Auto	Au 1-2		Auto program
SOUND	Soun	So 1-2		Sound program
SPEED	SPEE	SP 1-9		Auto /Sound Speed adjustment
MIC SENS.	SEnS	SE 1-9		Microphone sensitivity
EDIT COLOUR	Colo	r000-255		Manual adjustment Red (0-100%)
		g000-255		Manual adjustment Green (0-100%)
		b000-255		Manual adjustment Blue (0-100%)
STROBE	Stro	Stro0-9		Strobe rate, 0 for no strobe, 1-9 for strobe rate
DIMMING	dIMM	dl 1- dl 9		Master dimming
SILENT SCENE	SILE	on/oFF		Silent scene by sound program
SLAVE	SLAV	Slave		Slave



**DMX
SIGNAL**



DMX CHANNELS

7 CH	4 CH	3CH	FUNCTION	VALUE	DESCRIPTION
1	1		Dimmer	000-255	Master dimming, 0-100%
2	2		Strobe	000-255	Stroboscope, 0-100%
3		1	Colour	000-255	Red, 0-100%
6		2		000-255	Green, 0-100%
5		3		000-255	Blue, 0-100%
6	3		Macro	000-009	No function
				010-019	Red
				020-029	Green
				030-039	Blue
				040-049	Yellow
				050-59	Magenta
				060-069	Cyan
				070-079	Dark orange
				080-089	Green yellow
				090-099	Salmon
				100-109	Turquoise
				110-119	Light Green
				120-129	Orange
				130-139	Lavender
			140-149	Light blue	
			150-159	Dark blue	
			160-255	Pink	
7	4		Sound	000-009	No function
				010-069	Colour blending (rate)
				070-129	Colour change (rate)
				130-189	Sound colour blending (rate)
				190-255	Sound colour change (rate)



BEAMZ

**YOUR FUTURE
YOUR SKILLS
YOUR PLATFORM
YOUR PARTY
YOUR EVENT**



is a leading developer of lighting products, including intelligent DMX moving heads, wireless battery operated DMX effects, static washes, sound-activated club effects, strobes & blacklights, LED lighting, fog and special effects machines, lasers and indoor and outdoor architectural lighting, as well as lighting controllers and protective bags.

