



BEAMZ
MADE
EAZY

150.450 V1

SB400

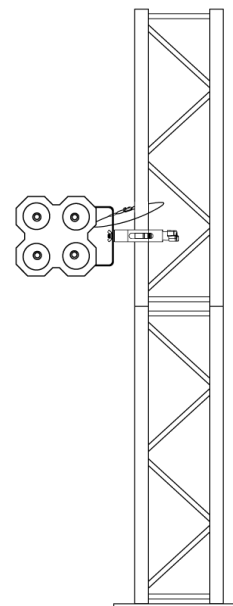
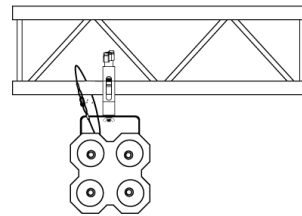
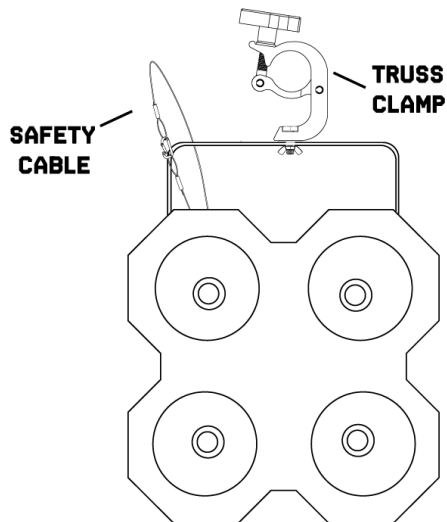
QUICK START GUIDE

CONTROL MENU

MENU		DESCRIPTION
DMX	d001-d512	DMX Start address
AUTO RUN	Au01 - Au07	Static program
	Au08 - Au10	LED Running effect
	S01 - So02	Sound-controlled strobe effect
STROBE	St01- St16	Automatic change between twelve show effects
SPEED	SP00 - SP16	Speed auto mode
WHITE	u000 - u255	Manual dimmer

DMX CHANNELS

CHANNEL	FUNCTION	VALUE	DESCRIPTION
1	Dimmer	000-255	Master dimmer 0-100%
2	Strobe	000-001	No function
		002-255	Strobe
3	Macro	000-001	No function
		002-255	Macro function
4	Macro speed	000-255	Macro function speed adjustable
5	LED	000-255	LED 1 Dimmer 0-100%
6		000-255	LED 2 Dimmer 0-100%
7		000-255	LED 3 Dimmer 0-100%
8		000-255	LED 4 Dimmer 0-100%



TROUBLE SHOOTING

The checklist below may help you troubleshoot in the unlikely event that a problem occurs while using the product:

SYMPTOM	POSSIBLE CAUSE	SUGGESTED ACTION
No response from unit.	No power to unit. Fuse blown or internal fault.	Check that power is turned on. Check cables and connections. Replace main fuse or contact Beamz support or Beamz authorized service partner. Do not remove base or yoke covers. Do not attempt to replace a fuse or carry out any repairs or service that are not described in this User Manual unless you have both authorization from Beamz support or Beamz authorized service partner.
Unit resets correctly but does not respond (or does not respond correctly) to the controller.	The controller is not connected. Bad DMX-line. DMX-line has no end resistance. Incorrect unit addressing. A unit is defective and is disturbing data transmission on the DMX-line. Pin 2 and 3 are reversed in XLR connection.	Connect controller. Inspect connections and cables. Correct poor connections. Repair or replace damaged cables. Insert DMX terminator plug in DMX output socket of last unit on DMX-line. Check unit address and DMX mode settings. Unplug DMX IN and OUT connectors and connect them directly together to bypass one unit at a time until normal operation is regained. Have defective unit serviced by an authorized technician. Inspect connections and cables. Install a phase-reversing cable between the units or swap pin 2 and 3 in the unit, that behaves erratically.
Error after unit reset.	Effect requires mechanical adjustment.	Check unit's software version and error messages for more information. Contact Beamz support or Beamz authorized service partner.
Light output cuts out intermittently.	Unit too hot. LEDs damaged The power supply settings do not match local AC voltage and frequency.	Allow unit to cool. Reduce ambient temperature. Ensure free airflow around unit. Clean unit if necessary. Disconnect unit and contact Beamz support or Beamz authorized service partner. Disconnect unit. Check settings and correct if necessary.



BEAMZ

YOUR FUTURE
YOUR SKILLS
YOUR PLATFORM
YOUR PARTY
YOUR EVENT



is a leading developer of lighting products, including intelligent DMX moving heads, wireless battery operated DMX effects, static washes, sound-activated club effects, strobes & blacklights, LED lighting, fog and special effects machines, lasers and indoor and outdoor architectural lighting, as well as lighting controllers and protective bags.

