

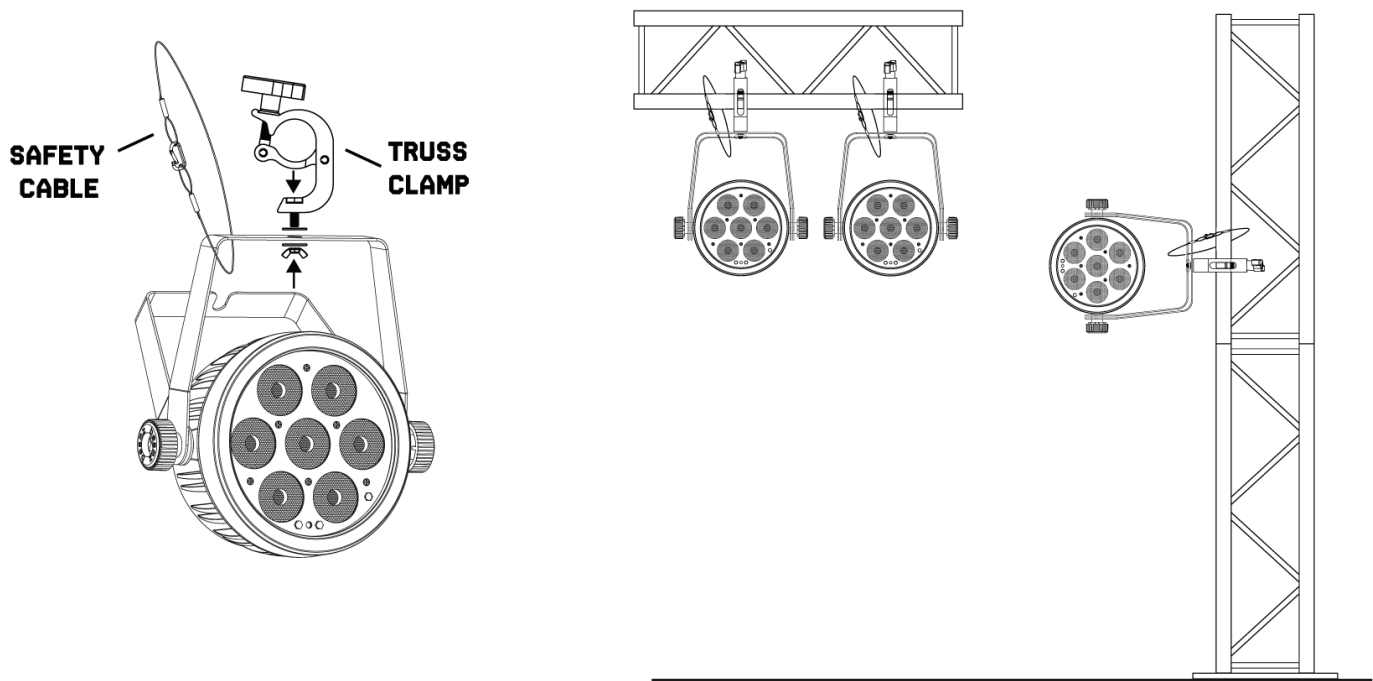


BEAMZ
MADE
EAZY

150.758 V1

BWA410 LED PAR

QUICK START GUIDE

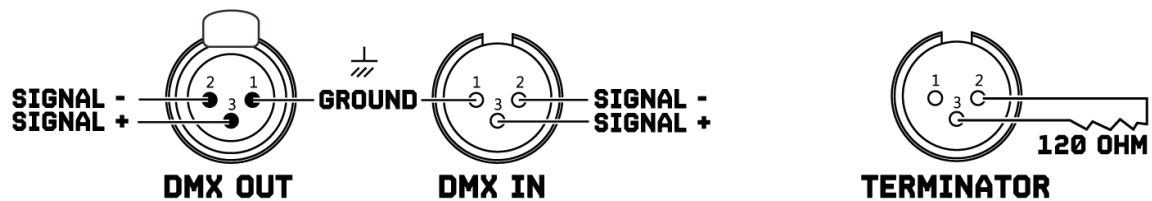


DMX512 CONTROL

If you are using a standard DMX controller, you can connect the DMX output of the controller directly to the DMX input of the first unit in a DMX chain. Always connect the output of one unit with the input of the next unit until all units are connected.



CAUTION! At the last unit, you must close the DMX line with a terminating resistor. Take an XLR connector and solder a 120 Ohm resistor between signal (-) and signal (+) and connect it to the DMX output of the last unit in the line.



CONTROL MENU

MENU		DESCRIPTION
Axxx	001-512	DMX address 8 Channel mode
Dxxx	001-512	DMX address 4 Channel mode
SLAV		Slave function
CLXX	01-32	Static colors selection
CCXX	01-99	Color change speed from slow to fast
EEXX	01-99	Fade speed from slow to fast
FFXX	01-99	Mutation speed from slow to fast
VER2		Software version
LED	Led	On/Off
TEST	rED	Color automatic cycle test
	GrEE	
	bLuE	
	Whit	
	Full	
Rxxx	rxxx	Red 0-255
	Gxxx	Green 0-255
	bxxx	Blue 0-255
	Uxxx	White 0-255

DMX CHANNELS

4 CHANNELS

CHANNEL	FUNCTION	VALUE	DESCRIPTION
1	Red	000-255	Red dimming
2	Green	000-255	Green dimming
3	Blue	000-255	Blue dimming
4	White	000-255	White dimming

8 CHANNELS

CHANNEL	FUNCTION	VALUE	DESCRIPTION
1	Dimmer	000-255	Master dimming
2	Red	000-255	Red dimming
3	Green	000-255	Green dimming
4	Blue	000-255	Blue dimming
5	White	000-255	White dimming
6	Strobe	000-009	No strobe
		010-255	Strobe speed from slow to fast
7	Macro	000-009	Channel 2 - 5 effective
		010-049	Colour selection (channel 8 for select the colour)
		050-089	Colour jump (channel 8 for the speed)
		090-129	Colour fade (channel 8 for the speed)
		130-199	Colour mutation (channel 8 for the speed)
		200-255	No function
8	Macro speed	000-255	Macro speed channel 7



BEAMZ

**YOUR FUTURE
YOUR SKILLS
YOUR PLATFORM
YOUR PARTY
YOUR EVENT**



offers a wide range of high performance lighting equipment and related accessories for the rental, entertainment and architectural lighting markets. BeamZ Pro stands for performance, innovation and value pricing!

