


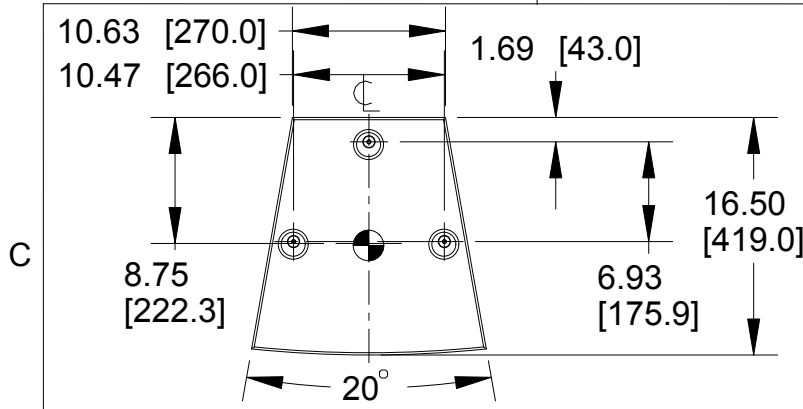


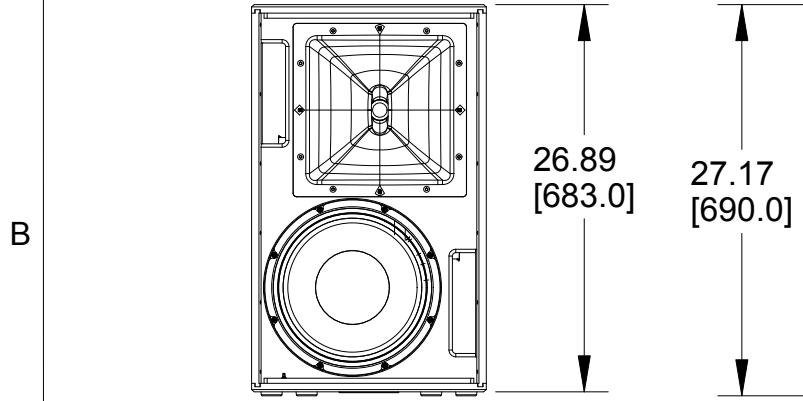
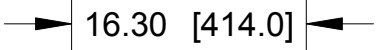
1 2 3 4

REV	CHANGE NUMBER	DATE
A	ECOWH11312	6/30/16
B	ECOWH11351	8/23/16

- NOTES:
1. SYMBOL  INDICATES CENTER OF BALANCE.
  2. SYMBOL  INDICATES MOUNTING POINT, M10 THREADED HOLE (PI ANGLE).
  3. SYMBOL  INDICATES RUBBER FOOT.
  4. WEIGHT APPROX. 58 lb [26.3 kg].
  5. SHIPPING WEIGHT APPROX. 66 lb [30 kg].

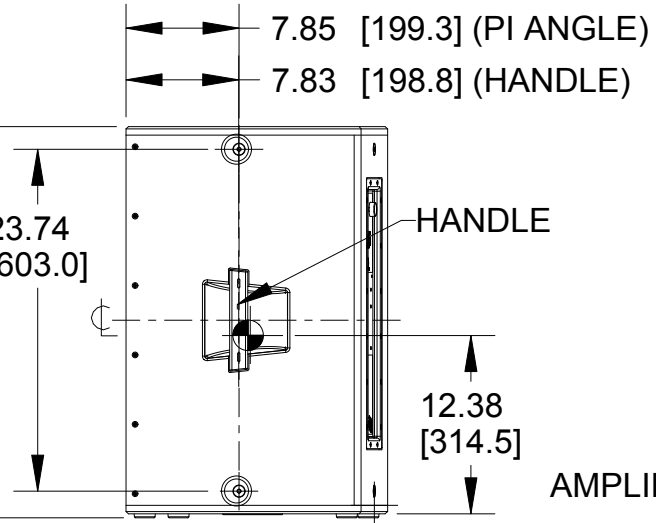


**TOP**



**FRONT**

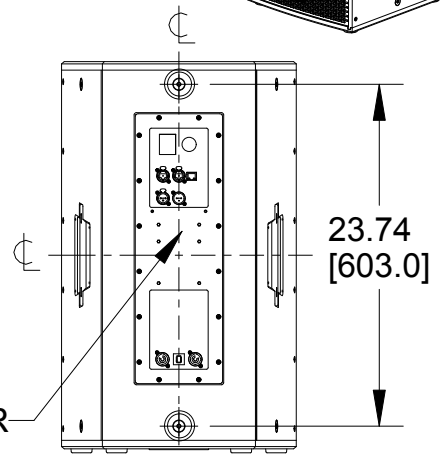
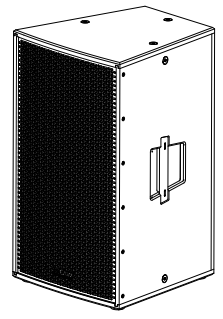
GRILLE NOT SHOWN FOR CLARITY



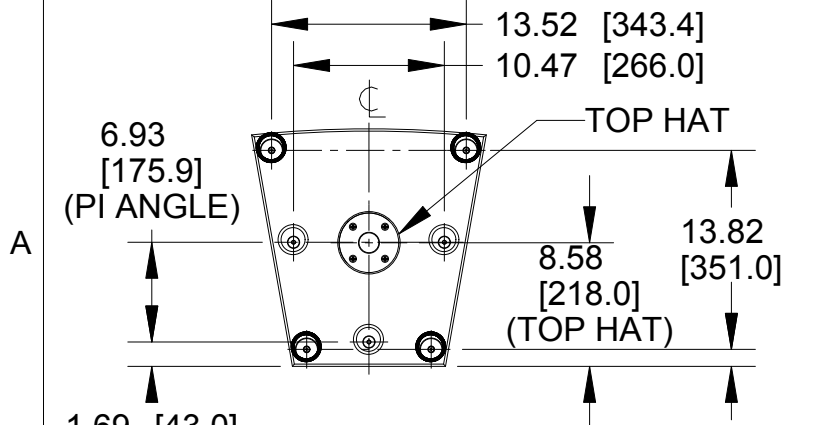
**RIGHT SIDE**

DIMENSIONS APPLY TO BOTH SIDES

**RSX129**

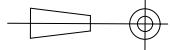


**BACK**



**BOTTOM**

THIRD ANGLE PROJECTION



THE INFORMATION CONTAINED HEREIN IS PROPRIETARY AND CONFIDENTIAL PROPERTY OF LOUD TECHNOLOGIES, INC. ALL RIGHTS RESERVED

UNLESS OTHERWISE SPECIFIED: ALL DIMENSIONS ARE IN INCHES DUAL [MM] DIMENSIONS FOR REF ONLY

TOLERANCE IN INCHES  
 LINEAR ± 0.13 in / ± 3.3 mm  
 ANGLES ± 1°

(X.XX) = REF DIMS  
 NO TOLERANCE IMPLIED

TSC = THEORETICAL SHARP CORNER

DIMENSIONS ACROSS CENTERLINES TO BE SYMMETRICAL

**EAW** www.eaw.com

TITLE:  
**DWG CUSTOMER EAW RSX129**

<b>A</b>	SHEET 1 OF 1	SCALE: 0.075
DRAWING NUMBER: <b>2047567-CD</b>		REVISION: <b>B</b>

1 2 3 4 PRO ENGINEER