


1

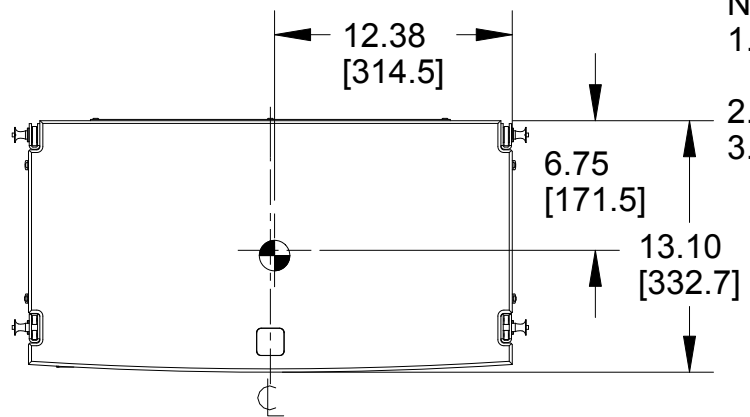
2

3

4

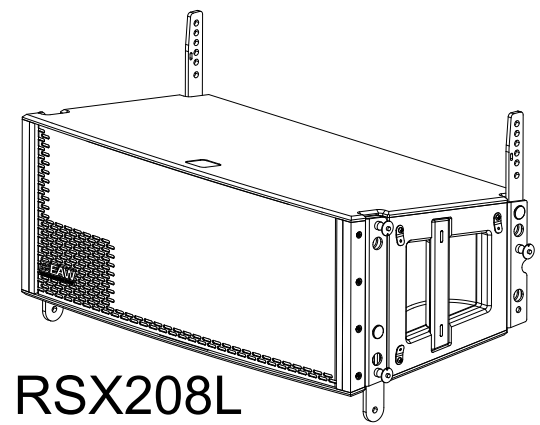
- NOTES:
1. SYMBOL  INDICATES CENTER OF BALANCE.
  2. WEIGHT APPROX. 40.5 lb [18.4 kg].
  3. SHIPPING WEIGHT APPROX. 45 lb [20.4 kg].

REV	CHANGE NUMBER	DATE
A	ECOWH11312	6/28/16
B	ECOWH11352	8/24/16



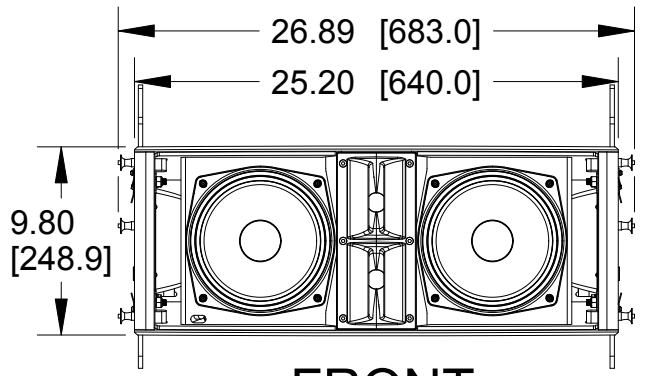
### TOP

DIMENSIONS APPLY TO TOP AND BOTTOM



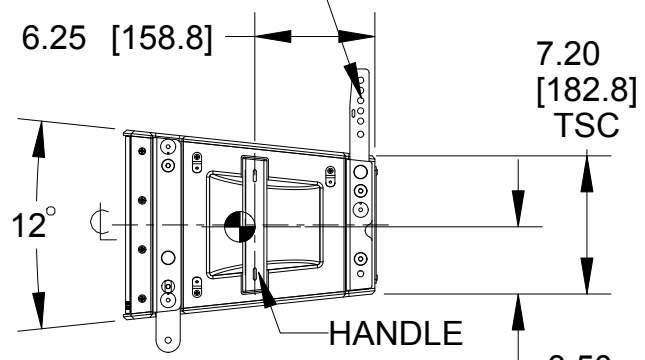
### RSX208L

4X PROPRIETARY RETRACTABLE RIGGING SYSTEM



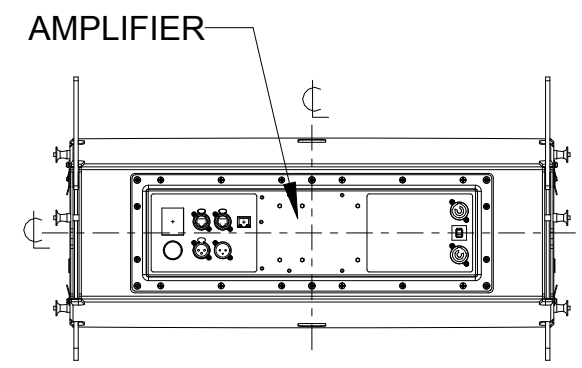
### FRONT

GRILLE NOT SHOWN FOR CLARITY



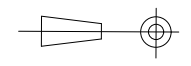
### RIGHT SIDE

DIMENSIONS APPLY TO BOTH SIDES



### BACK

THIRD ANGLE PROJECTION



THE INFORMATION CONTAINED HEREIN IS PROPRIETARY AND CONFIDENTIAL PROPERTY OF LOUD TECHNOLOGIES, INC. ALL RIGHTS RESERVED

UNLESS OTHERWISE SPECIFIED: ALL DIMENSIONS ARE IN INCHES DUAL [MM] DIMENSIONS FOR REF ONLY

TOLERANCE IN INCHES  
 LINEAR ± 0.13 in / ± 3.3 mm  
 ANGLES ± 1°

(X.XX) = REF DIMS  
 NO TOLERANCE IMPLIED

TSC = THEORETICAL SHARP CORNER

DIMENSIONS ACROSS CENTERLINES TO BE SYMMETRICAL

**EAW** www.eaw.com

TITLE:  
**DWG CUSTOMER EAW RSX208L**

<b>A</b>	SHEET 1 OF 1	SCALE: 0.100
	DRAWING NUMBER: <b>2047573-CD</b>	

REVISION: <b>B</b>
-----------------------

C

C

B

B

A

A

1

2

3

4

PRO ENGINEER