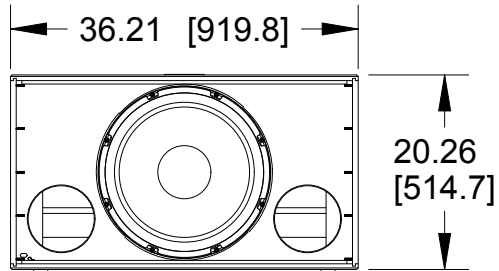
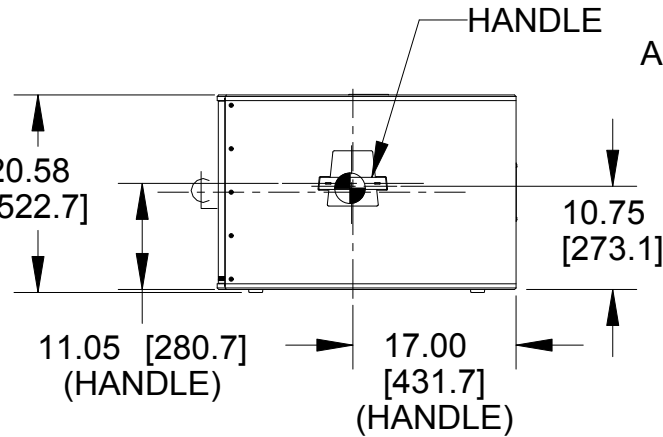


TOP
TOP HAT

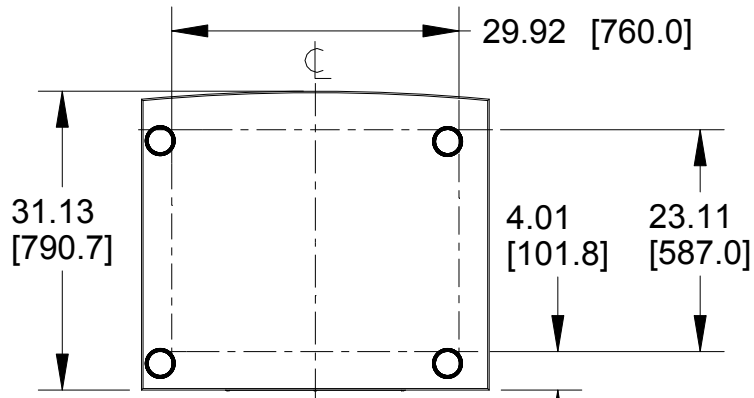


FRONT
GRILLE NOT SHOWN FOR CLARITY



RIGHT SIDE

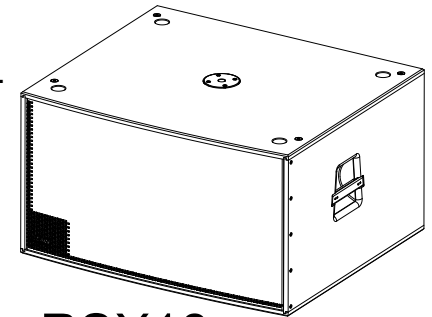
DIMENSIONS APPLY TO BOTH SIDES



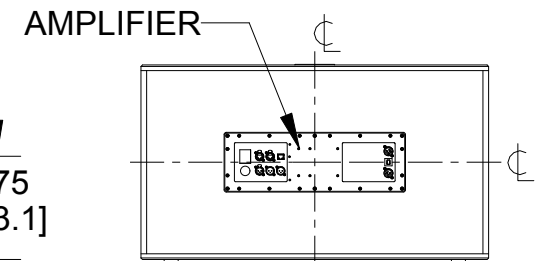
BOTTOM

- NOTES:
1. SYMBOL INDICATES CENTER OF BALANCE.
 2. SYMBOL INDICATES MOUNTING POINT, M10 THREADED HOLE (PI ANGLE).
 3. SYMBOL INDICATES RUBBER FOOT.
 4. WEIGHT APPROX. 93.6 lb [42.5 kg].
 5. SHIPPING WEIGHT APPROX. 118 lb [53 kg].

REV	CHANGE NUMBER	DATE
A	ECOWH11312	6/30/16
B	ECOWH11354	8/29/16

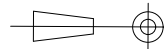


RSX18



BACK

THIRD ANGLE PROJECTION



THE INFORMATION CONTAINED HEREIN IS PROPRIETARY AND CONFIDENTIAL PROPERTY OF LOUD TECHNOLOGIES, INC. ALL RIGHTS RESERVED

UNLESS OTHERWISE SPECIFIED: ALL DIMENSIONS ARE IN INCHES DUAL [MM] DIMENSIONS FOR REF ONLY

TOLERANCE IN INCHES LINEAR ± 0.13 in / ± 3.3 mm ANGLES $\pm 1^\circ$

(X.XX) = REF DIMS NO TOLERANCE IMPLIED

TSC = THEORETICAL SHARP CORNER DIMENSIONS ACROSS CENTERLINES TO BE SYMMETRICAL

EAW www.eaw.com

TITLE:
DWG CUSTOMER EAW RSX18

A

SHEET 1 OF 1

SCALE:
0.050

DRAWING NUMBER:
2047599-CD

REVISION:
B

PRO ENGINEER