

Phantom Twin3500 Pure Diode RGB Laser

Ref. nr.: 152.504



INSTRUCTION MANUAL
GEBRUIKSAANWIJZING
BEDIENUNGSANLEITUNG
MANUAL DE INSTRUCCIONES
MANUEL D'INSTRUCTIONS
INSTRUKCJA OBSŁUGI

ENGLISH

Congratulations to the purchase of this Beamz product. Please read this manual thoroughly prior to using the product in order to benefit fully from all features.

Read the manual prior to using the product. Follow the instructions in order not to invalidate the warranty. Take all precautions to avoid fire and/or electrical shock. Repairs must only be carried out by a qualified technician in order to avoid electrical shock. Keep the manual for future reference.

- Prior to using the product, please ask advice from a specialist. When the unit is switched on for the first time, some smell may occur. This is normal and will disappear after a while.
- The unit contains voltage carrying parts. Therefore, do NOT open the housing.
- Do not place metal objects or pour liquids into the product. This may cause electrical shock and malfunction.
- Do not place the product near heat sources such as radiators, etc. Do not place the unit on a vibrating surface. Do not cover the ventilation holes.
- The product is not suitable for continuous use.
- Be careful with the mains lead and do not damage it. A faulty or damaged mains lead can cause electrical shock and malfunction.
- When unplugging the product from a mains outlet, always pull the plug, never the lead.
- Do not plug or unplug the unit with wet hands.
- If the plug and/or the mains lead are damaged, they need to be replaced by a qualified technician.
- If the product is damaged to such an extent that internal parts are visible, do NOT plug the unit into a mains outlet and DO NOT switch the product on. Contact your dealer. Do NOT connect the product to a rheostat or dimmer.
- To avoid fire and shock hazard, do not expose the product to rain and moisture.
- All repairs should be carried out by a qualified technician only.
- Connect the product to an earthed mains outlet (220-240Vac/50Hz) protected by a 10-16A fuse.
- During a thunderstorm or if the product will not be used for a longer period of time, unplug it from the mains. The rule is: Unplug it from the mains when not in use.
- If the product has not been used for a longer period of time, condensation may occur. Let the unit reach room temperature before you switch it on.
- Never use the product in humid rooms or outdoors.
- During operation, the housing becomes very hot. Do not touch it during operation and immediately after.
- To prevent accidents in companies, you must follow the applicable guide lines and follow the instructions.
- Secure the product with an extra safety chain if the unit is ceiling mount. Use a truss system with clamps. Make sure nobody stands in the mounting area. Mount the effect at least 50cm away from inflammable material and leave at least 1-meter space on every side to ensure sufficient cooling.
- This product contains high intensity LEDs. Do not look into the LED light to prevent damage to your eyes.
- Do not repeatedly switch the product on and off. This shortens the life time.
- Keep the unit out of the reach of children. Do not leave the unit unattended.
- Do not use cleaning sprays to clean switches. The residues of these sprays cause deposits of dust and grease. In case of malfunction, always seek advice from a specialist.
- Only operate the product with clean hands.
- Do not force the controls.
- If the product has fallen, always have it checked by a qualified technician before you switch the product on again.
- Do not use chemicals to clean the unit. They damage the varnish. Only clean the product with a dry cloth.
- Keep away from electronic equipment that may cause interference.
- Only use original spares for repairs, otherwise serious damage and/or dangerous radiation may occur.
- Switch the product off prior to unplugging it from the mains and/or other equipment. Unplug all leads and cables prior to moving the product.
- Make sure that the mains lead cannot be damaged when people walk on it. Check the mains lead before every use for damages and faults!
- The mains voltage is 220-240Vac/50Hz. Check if power outlet match. If you travel, make sure that the mains voltage of the country is suitable for this product.
- Keep the original packing material so that you can transport the product in safe conditions



This mark attracts the attention of the user to high voltages that are present inside the housing and that are of sufficient magnitude to cause a shock hazard.



This mark attracts the attention of the user to important instructions that are contained in the manual and that he should read and adhere to.



DO NOT LOOK DIRECTLY INTO THE LENS. This can damage your eyes. Persons who are subject to epileptic attacks should be aware of the effects that this light effect may have on them.

The product has been certified CE. It is prohibited to make any changes to the product. They would invalidate the CE certificate and their guarantee!

NOTE: To make sure that the unit will function normally, it must be used in rooms with a temperature between 5°C/41°F and 35°C/95°F.



Electric products must not be put into household waste. Please bring them to a recycling centre. Ask your local authorities or your dealer about the way to proceed. The specifications are typical. The actual values can slightly change from one unit to the other. Specifications can be changed without prior notice.

Do not attempt to make any repairs yourself. This would invalid your warranty. Do not make any changes to the product. This would also invalid your warranty. The warranty is not applicable in case of accidents or damages caused by inappropriate use or disrespect of the warnings contained in this manual. Beamz cannot be held responsible for personal injuries caused by a disrespect of the safety recommendations and warnings. This is also applicable to all damages in whatever form.

LASERSAFETY



Read for the commissioning of the laser all safety instructions and technical data of this manual carefully and thoroughly.



Laser Light is different from any other light source with which you may be familiar. The light from this product can potentially cause eye injury if not set up and used properly. Laser light is thousands of times more concentrated than light from any other kind of light source. This concentration of light power can cause instant eye injuries, primarily by burning the retina (the light sensitive portion at the back of the eye). Even if you cannot feel "heat" from a laser beam, it can still potentially injure or blind you or your audience. Even very small amounts of laser light are potentially hazardous even at long distances. Laser eye injuries can happen quicker than you can blink.

It is wrong to assume that a single beam of a bundle of hundreds by the laser beams made, it cannot cause injury.

It is also **incorrect** to assume that it is safe to look at a moving beam. In the laser safety regulation, it is not legal to aim Class 3B/4 lasers in areas which people can get exposed also on a dance floor.

Caution:

- Do not point lasers at people or animals.
- Never look into the laser aperture or laser beams, this can potentially cause instant eye injury or blindness if laser light directly strikes the eyes.
- Do not point lasers in areas in which people can potentially get exposed, such as uncontrolled balconies, etc.
- Install the laser units such that laser beams above the audience move See section later in this manual.
- Test the laser units always first before the public is present.
- Do not point lasers into the public or at highly reflective surfaces such as windows, mirrors and shiny metal. Even laser reflections can be hazardous.
- Never point a laser at aircraft or into the sky, this is a federal offense.
- Use of controls or adjustments or performance of procedures other than those specified herein may result in hazardous radiation exposure.
- Do not expose the output optic (aperture) to cleaning chemicals.
- The operation of a laser is only allowed if the show is controlled by a skilled and well-trained operator familiar with the requirements that are needed.
- Do not use laser if housing is damaged or open, or if optics appear damaged in any way.
- Never leave this device running unattended.
- Always use appropriate lighting safety cables when hanging lights and effects overhead.

The legal requirements for using laser entertainment products vary from country to country. The user is responsible for the legal requirements at the location/country of use.



This unit contains laser components with high power, live parts and parts that emit radiation. Therefore, **DO NOT OPEN** the housing, **THIS CAN BE FATAL**. It can also cause blindness, skin burns and fires.

Eye damage occurs faster than you can blink your eyes.

Further guidelines and safety programs for safe use of lasers can be found in the ANSI Z136.1 Standard "For Safe Use of Lasers", available from "www.laserinstitute.org". Many local governments, corporations, agencies, military and others, require all lasers to be used under the guidelines of ANSI Z136.1. Laser Display guidance can be obtained via the International Laser Display Association, www.laserist.org.



Attention! The use in France is only allowed to the professional user and not to the end user. See decision: www.legifrance.gouv.fr



LASER LIFETIME

Follow below advice to enjoy a longer laser lifetime:

- Quick on/off switching of this device will reduce durability of the laser diode dramatically.
- Ensure that device does not get overheated:
 - Switch off device when it is not needed. Diodes are switched on and can wear out even if there is no visible laser output.
 - Switch off device after 1 hour and let the laser cooling down for 15 minutes.
 - Ensure that the fans and heat sinks are free of dust and dirt.

LASER
LIFE TIME 

INSTALLATION

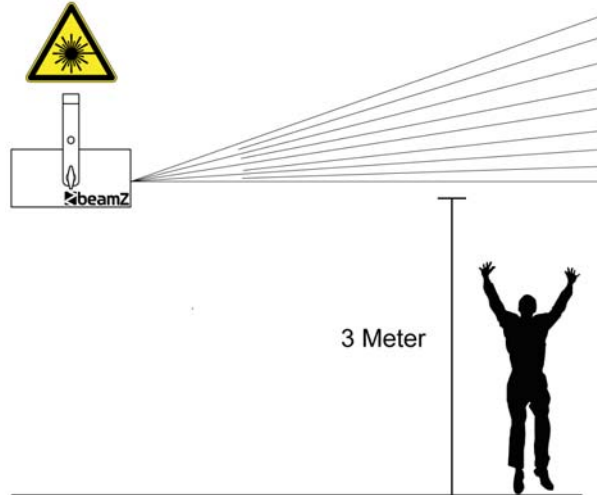


CAUTION: Please consider the respective national norms during the installation! The installation must only be carried out by an authorized employee or dealers!



This fixture has been designed to be hung. It is recommended for safety purposes, your lighting effect are properly mounted using a suitable hanging clamp and safety cable. Items appropriate for safe and effective mounting are easily sourced from your lighting vendor.

International laser safety regulations require that lasers must be operated in the fashion illustrated below, with a minimum of 3 meters (9.8 ft) of vertical separation between the floor and the lowest laser light vertically. Additionally, 2.5 meters of horizontal separation is required between laser light and audience or other public spaces.

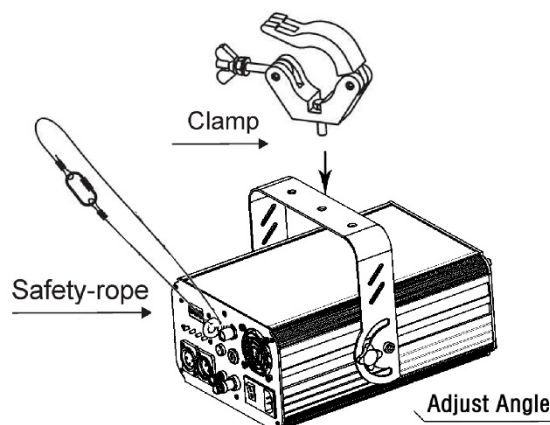


CAUTION: Use of controls, adjustments, or performance of procedures other than what is specified herein may result in hazardous radiation exposure!

- The installation of the fixture has to be built and constructed in a way that it can hold 10 times the weight for 1 hour without any harming deformation.
- Always use the supplied mounting bracket to hang the fixture.
- The fixture should aid of a mounting bracket (not included) to the supplied mounting bracket to be confirmed.
- The installation must always be secured with a secondary safety attachment, e.g. an appropriate catch net. This secondary safety attachment must be constructed in a way that no part of the installation can fall down if the main attachment fails.
- Make sure the area below the installation place is free from unwanted persons during rigging, de-rigging and servicing.
- The operator has to make sure that safety-relating and machine-technical installations are approved by an expert before taking into operation for the first time and after changes before taking into operation another time.
- The operator has to make sure that safety-relating and machine-technical installations are approved by a skilled person once a year.
- The fixture should be installed in the position where persons cannot reach.
- For your own safety and for others, we do strongly recommend you to use this laser emergency kill switch. (ref.no: 152.958)



CAUTION: When installing the device, make sure there is no highly in flammable material (decoration articles, etc.) in between a distance of min 0.5 meter.



UNPACKING INSTRUCTION

CAUTION! Immediately upon receiving the product, carefully unpack the carton, check the contents to ensure that all parts are present, and have been received in good condition. Notify the shipper immediately and retain packing material for inspection if any parts appear damaged from shipping or the package itself shows signs of mishandling. Save the package and all packing materials. In the event that the product must be returned to the factory, it is important that the product be returned in the original factory box and packing.

If the device has been exposed to drastic temperature fluctuation (e.g. after transportation), do not switch it on immediately. The arising condensation water might damage your device. Leave the device switched off until it has reached room temperature.

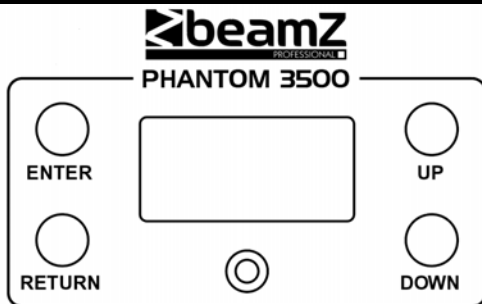
POWERSUPPLY

On the label on the backside of the product is indicated on this type of power supply must be connected. Check that the mains voltage corresponds to this, all other voltages than specified, the light effect can be irreparably damaged. The product must also be directly connected to the mains and may be used. No dimmer or adjustable power supply.



Always connect the device to a protected circuit (circuit breaker or fuse). Make sure the device has an appropriate electrical ground to avoid the risk of electrocution or fire.

DISPLAY



The control board offer several features: you can simple set the starting address, run the pre-programmed program or make a reset. The main menu is accessed by pressing the **Return**-button, browse through the submenu by pressing **Up** or **Down**.

Press the **Enter**-button in order to select the desired menu.

You can change the selection by pressing **Up** or **Down**. Confirm every selection by pressing the **Enter**-button.

You can leave every mode by pressing the **Return**-button. The functions provided are described later in this manual.

BEAM PROTECTION

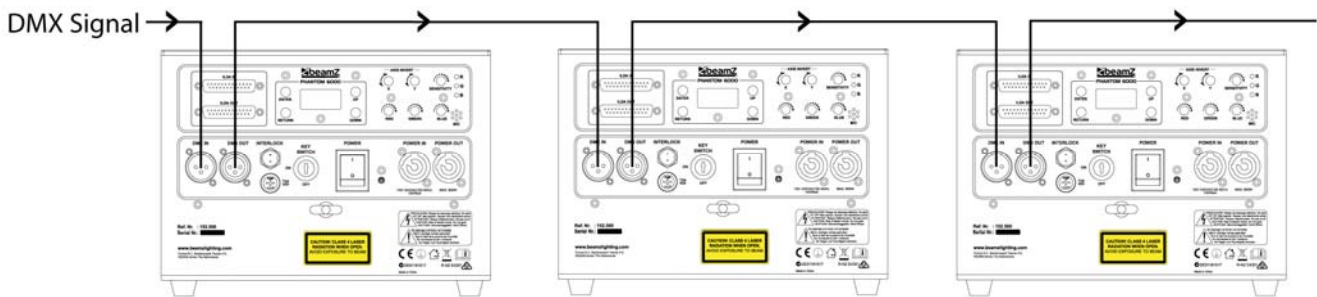
For safety reason you can switch the One Beam protection On/Off via display. If the One Beam is activated (ON) highly focused single beam are suppressed. Switch to OFF to deactivate the One Beam protection.



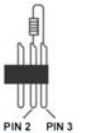
This function should only be turned off by well-trained operator, after checking well all safety aspects!

DMX-512 CONNECTION

If you are using a standard DMX controller, you can connect the DMX-output of the controller directly to the DMX-input of the first unit in a DMX-chain. Always connect the output of one unit with the input of the next unit until all units are connected. If you use a controller with 5 pin DMX connection you will need to use a 5-pin to 3-pin adapter.



At the last fixture, the DMX cable has to be terminated. Solder a 120 Ohm resistor between signal (-) and signal (+) into a 3-pin XLR connector and plug this into the DMX output of the last fixture in the chain.



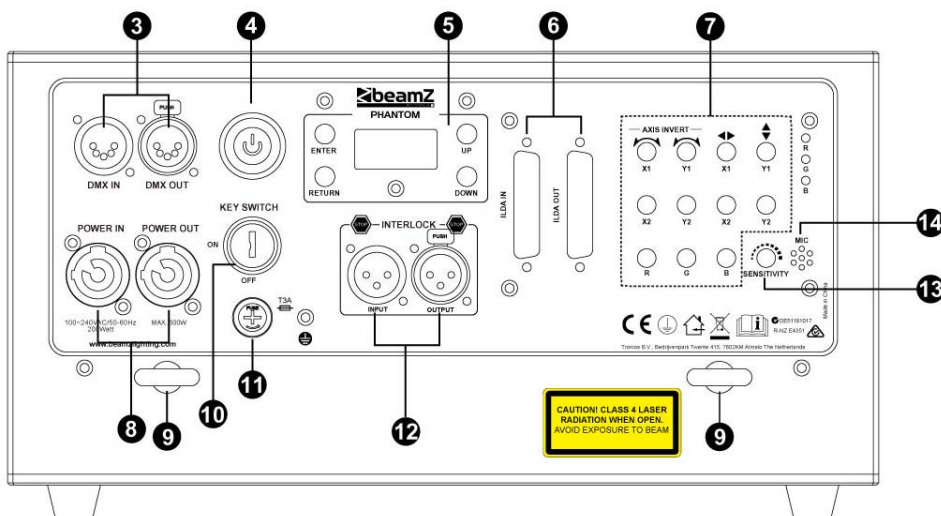
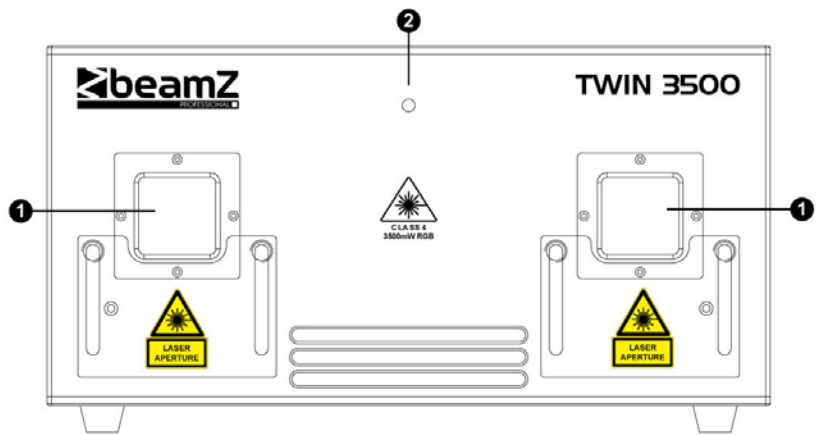
ILDA CONTROL

This laser can be controlled by any PC equipped with ILDA compatible software + hardware. As soon as the ILDA input of the laser is connected with an ILDA compatible controller, it will automatically switch to ILDA control mode. From this moment the laser will be completely controlled by the ILDA software.

ILDA soft- and hardware are available from several independent suppliers.

FRONT AND REAR PANEL

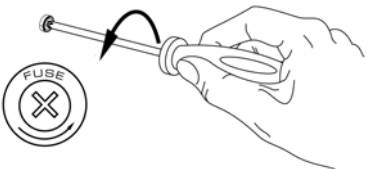
1. Laser Aperture
2. Laser Emission LED
3. DMX In-/ Output 5 pins
4. On/Off switch
5. LCD Function setting panel
6. DB25 ILDA interface
7. Function knobs
8. Powerconnector In-/Output
9. Safety eye
10. Key switch (Laser output is available only when the interlock is connected.)
11. Fuse holder
12. Interlock In-/Output 3 pins
13. Sound sensitivity knob
14. Microphone



REPLACING THE FUSE

If the fuse is defective, replace the fuse with a fuse of the same type and value. Before replacing the fuse, unplug mains lead.

Procedure:



- Step 1: Open the fuse holder on the rear panel with a fitting screwdriver.
- Step 2: Remove the old fuse from the fuse holder.
- Step 3: Install the new fuse in the fuse holder.
- Step 4: Replace the fuse holder in the housing.

FIXTURE CLEANING

The cleaning of internal and external optical lenses and/or mirrors must be carried out periodically to optimize light output. Cleaning frequency depends on the environment in which the fixture operates: damp, smoky or particularly dirty surrounding can cause greater accumulation of dirt on the unit's optics.

- Make sure the area below the installation place is free from unwanted persons during servicing.
- Housings, fixations and installations spots(ceiling, truss, suspensions) should be totally free from any deformation.
- The mains cables must be in impeccable condition and should be replaced immediately when even a small problem is detected.
- In order to protect the fixture from overheat the cooling fans (if any) and ventilation openings should be cleaned monthly.
- The interior of the fixture should be cleaned annually using a vacuum cleaner or air-jet.
- Clean with soft cloth using normal glass cleaning fluid.
- Always dry the parts carefully.
- Clean the external optics at least every month. Clean the internal optics at least every 30/60 days.

ATTENTION: We strongly recommend internal cleaning to be carried out by qualified worker!

Hartelijk dank voor de aanschaf van dit Beamz product. Neemt U a.u.b. een paar momenten de tijd om deze handleiding zorgvuldig te lezen, aangezien wij graag willen dat u onze producten snel en volledig gebruikt.

Lees deze handleiding eerst door alvorens het product te gebruiken. Volg de instructies op anders zou de garantie weleens kunnen vervallen. Neem ook altijd alle veiligheidsmaatregelen om brand en/of een elektrische schok te voorkomen. Tevens is het ook raadzaam om reparaties/ modificaties e.d. over te laten aan gekwalificeerd personeel om een elektrische schok te voorkomen. Bewaar deze handleiding ook voor toekomstig gebruik.

- Bewaar de verpakking zodat u indien het apparaat defect is, dit in de originele verpakking kunt opsturen om beschadigingen te voorkomen.
- Voordat het apparaat in werking wordt gesteld, altijd eerst een deskundige raadplegen. Bij het voor de eerste keer inschakelen kan een bepaalde reuk optreden. Dit is normaal en verdwijnt na een poos.
- In het apparaat bevinden zich onder spanning staande onderdelen; open daarom NOOIT dit apparaat.
- Plaats geen metalen objecten en mors geen vloeistof in het effect. Dit kan leiden tot elektrische schokken of defecten.
- Toestel niet opstellen in de buurt van warmtebronnen zoals radiatoren etc. en niet op een vibrerende ondergrond plaatsen. Dek ventilatieopeningen nooit af.
- Het apparaat is niet geschikt voor continu gebruik.
- Wees voorzichtig met het netsnoer en beschadig deze niet. Als het snoer kapot of beschadigd is, kan dit leiden tot elektrische schokken of defecten.
- Als u de stekker uit het stopcontact neemt, trek dan niet aan het snoer, maar aan de stekker.
- Om brand of elektrische schok te voorkomen, dient u dit apparaat niet bloot te stellen aan regen of vocht.
- Verwijder of plaats een stekker nooit met natte handen resp. uit en in het stopcontact.
- Indien zowel de stekker en/of netsnoer als snoeringang in het apparaat beschadigd zijn dient dit door een vakman hersteld te worden.
- Indien het apparaat zo beschadigd is dat inwendige (onder)delen zichtbaar zijn mag de stekker NOOIT in het stopcontact worden geplaatst en het apparaat NOOIT worden ingeschakeld. Neem in dit geval contact op met de dealer.
- Sluit het apparaat nooit op een dimmer aan.
- Reparatie aan het apparaat dient te geschieden door een vakman of een deskundige.
- Sluit het apparaat alleen aan op een 220-240VAC/ 50Hz (geaard) stopcontact, verbonden met een 10-16A meterkastgroep.
- Bij onweer altijd de stekker uit het stopcontact halen, zo ook wanneer het apparaat voor een langere tijd niet gebruikt wordt. Stelregel: Bij geen gebruik stekker verwijderen.
- Als u het apparaat lang niet gebruikt heeft en het weer wil gebruiken kan er condens ontstaan; laat het apparaat eerst op kamertemperatuur komen alvorens het weer in werking te stellen.
- Apparaat nooit in vochtige ruimten en buiten gebruiken.
- De behuizing wordt zeer warm, raak deze dan ook niet aan bij gebruik en direct na gebruik.
- Om ongevallen in bedrijven te voorkomen moet rekening worden gehouden met de daarvoor geldende richtlijnen en moeten de aanwijzingen/ waarschuwingen worden gevolgd.
- Zorg voor een extra veiligheidsketting als het product op hoogte wordt gehangen. Gebruik een truss-systeem met montagehaak. Ga nooit onder het product staan bij ophanging. Monteer minimaal 50 cm van brandbare objecten en laat tenminste 1meter vrij aan weerszijden voor een deugdelijke ventilatie.
- Dit apparaat bezit een hoge intensiteit LED; kijk nooit in de LED om oogbeschadigingen te voorkomen.
- Het apparaat buiten bereik van kinderen houden. Bovendien mag het apparaat nooit onbeheerd gelaten worden
- Gebruik geen schoonmaakspray om de schakelaars te reinigen. Restanten van deze spray zorgen ervoor dat smeer en stof ophopen. Raadpleeg bij storting te allen tijde een deskundige.
- Zorg dat uw handen schoon zijn tijdens het gebruik.
- Gebruik geen overmatige kracht bij het bedienen van het apparaat.
- Bij een ongeval met dit product altijd eerst een deskundige raadplegen alvorens opnieuw te gebruiken.
- Tracht het apparaat niet schoon te maken met chemische oplossingen. Dit kan de lak beschadigen. Gebruik een droge doek om schoon te maken.
- Blijf uit de buurt van elektronische apparatuur die bromstoringen zouden kunnen veroorzaken.
- Bij reparatie dienen altijd originele onderdelen te worden gebruikt om onherstelbare beschadigingen en/of ontoelaatbare straling te voorkomen.
- Schakel eerst het apparaat uit voordat u het netsnoer verwijder. Verwijder netsnoer en aansluitsnoeren voordat u het apparaat gaat verplaatsen.
- Zorg ervoor dat het netsnoer niet beschadigd/defect kan raken wanneer mensen erover heen lopen. Het netsnoer vóór ieder gebruik controleren op breuken/defecten!
- In Nederland/België is de netspanning 220-240Vac/50Hz. Indien u reist (en u neemt het apparaat mee) informeer dan naar de netspanning in het land waar u verblijft.



Deze markering wordt weergegeven om u erop attent te maken dat een levensgevaarlijke spanning in het product aanwezig is en dat bij aanraking van deze delen een elektrische schok wordt verkregen.



Deze instructiemarkering wordt weergegeven om u erop te wijzen dat de instructie zeer belangrijk is om te lezen en/of op te volgen.



KIJK NOOIT DIRECT IN DE LENS. Dit kan uw ogen beschadigen. Daarnaast dienen epileptici rekening te houden met de effecten die dit toestel creëert. Dit apparaat is CE goedgekeurd; er mogen geen veranderingen/modificaties worden doorgevoerd; deze kunnen de CE-status te niet doen met alle gevolgen van dien. Tevens vervalt de garantie!

OPMERKING: Om zeker te zijn van een correcte werking, dient u dit apparaat in een ruimte te gebruiken waar de temperatuur tussen de 5°C/41°F en 35°C/95°F ligt.



Raadpleeg eventueel www.wecycle.nl en/of www.vrom.nl v.w.b. het afdanken van elektronische apparaten in het kader van de WEEE-regeling. Vele artikelen kunnen worden gerecycled, gooi ze daarom niet bij het huisvuil maar lever ze in bij een gemeentelijk depot of uw dealer. Lever ook afgedankte batterijen in bij uw gemeentelijk depot of bij de dealer, zie www.stibat.nl

Alle (defecte) artikelen dienen gedurende de garantieperiode altijd retour te worden gezonden in de originele verpakking. Voer zelf geen reparaties uit aan het apparaat; in elk geval vervalt de totale garantie. Ook mag het apparaat niet eigenmachtig worden gemodificeerd, ook in dit geval vervalt de totale garantie. Ook vervalt de garantie bij ongevallen en beschadigingen in elke vorm t.g.v. onoordeelkundig gebruik en het niet in acht nemen van het gestelde in deze gebruiksaanwijzing. Tevens aanvaardt Beamz geen enkele aansprakelijkheid in geval van persoonlijke ongelukken als gevolg van het niet naleven van veiligheidsinstructies en waarschuwingen. Dit geldt ook voor gevolgschade in welke vorm dan ook.



Lees voor de ingebruikname van de laser alle veiligheidsinstructies en de technische gegevens van deze handleiding zorgvuldig en grondig door.



Laserlicht is anders dan ander licht wat u gewoon bent. Laserlicht kan n.l. (oog)letsel veroorzaken. Laserlicht is duizenden keren geconcentreerder dan normaal licht. Deze lichtconcentratie kan het netvlies verbranden. Zelfs als de warmte van een laserstraal niet gevoeld kan worden, kan het oogletsel of blindheid veroorzaken. Zelfs een kleine concentratie en een straal die ver verwijderd is kan gevaarlijk zijn.

Het is **onjuist** te veronderstellen dat één straal uit een bundel van honderden door de laser gemaakte bundels, geen letsel kan veroorzaken.

Het is ook **onjuist** te veronderstellen dat het veilig is in een bewegende straal te kijken. In de wet staat dat het verboden is, bij gebruik van een Klasse 3B/4 laser, de laserstraal op individuen te richten en/of daaronder zoals op dansvloeren enz..

LET OP!

- Richt een laserstraal nooit op mensen en dieren. Kijk nooit in de laseropening of laserstralen, dit kan oogletsel of blindheid veroorzaken.
- Richt de laserstraal nooit op gebieden waar mensen mogelijk blootgesteld kunnen worden aan de laserstraal, bijvoorbeeld hoger gelegen balkons etc.
- Plaats de laserunits zodanig dat laserstralen boven het publiek bewegen. Zie verderop in deze handleiding.
- Test de laserunits altijd eerst voordat het publiek aanwezig is.
- Het is verboden en gevaarlijk de laserstraal in het publiek te schijnen, of daar te schijnen waar reflecties zoals ramen, spiegels, e.d het publiek bereiken. Ook reflecterende stralen zijn gevaarlijk!
- Richt de laserstraal nooit op vliegtuigen of in de open lucht, dit is een strafbaar feit.
- Het afstellen of gebruik anders dan omschreven in deze handleiding kan leiden tot een gevaarlijke blootstelling aan ongewenste straling.
- Gebruik geen reinigingsmiddelen en/of chemische middelen om de lens schoon te maken.
- Laat de bediening van een laser over aan vakbekwame mensen die vertrouwd zijn met de gestelde eisen die hiervoor nodig zijn.
- Gebruik de laserunit nooit als de behuizing is beschadigd, als de behuizing is geopend of als de optiek op enige wijze beschadigd lijkt.
- Laat een (werkende) laserunit nooit onbeheerd achter.
- Gebruik altijd een veiligheidsketting wanneer een laser op hoogte wordt gemonteerd.

De wettelijke vereisten voor het gebruik van laserapparatuur verschillen per land. De gebruiker is verantwoordelijk voor de toepassing van de wettelijke vereisten zoals die in het betreffende land/regio gelden.



Deze unit bevat laseronderdelen met een hoogvermogen, onder spanning staande delen en delen die straling afgeven. **OPEN** daarom **NOOIT** de behuizing, **DIT KAN LEVENSGEVAARLIJK ZIJN**. Het kan ook blindheid, huidverbranding en brand veroorzaken.

Oogletsel ontstaat sneller dan u met de ogen kunt knippen.

Verdere richtlijnen en veiligheidsprogramma's voor het veilige gebruik van lasers zijn te vinden in de ANSI Z136.1 Standaard "voor het veilige gebruik van lasers", beschikbaar bij het Laser Institute of America: www.laserinstitute.org. Vele plaatselijke overheden, bedrijven, agentschappen, legers en andere instanties vereisen allemaal dat lasers worden gebruikt onder de richtlijnen van ANSI Z136.1. De richtlijn voor laservertoning kan worden verkregen via de International Laser Display Association: www.laserist.org. Emissiegegevens van de laser Zoals gemeten onder IEC-meetomstandigheden voor classificatie.



Let op! Het gebruik in Frankrijk is alléén toegestaan voor de professionele gebruiker en niet voor de consument. Zie besluit: www.legifrance.gouv.fr



LASER LEVENSDUUR

Volg het onderstaande advies op om te genieten van een langere levensduur van de laser:

- Snel aan / uit schakelen van dit apparaat zal de duurzaamheid van de laserdiode dramatisch verminderen.
- Zorg dat het apparaat niet oververhit raakt.
 - Schakel het apparaat uit wanneer dit niet nodig is. Diodes zijn ingeschakeld en kunnen slijten, zelfs als er geen zichtbare laseruitvoer is.
 - Schakel het apparaat na 1 uur uit en laat de laser 15 minuten afkoelen.
 - Zorg ervoor dat de ventilatoren en de koellichamen vrij zijn van stof en vuil.

LASER
LIFE TIME 

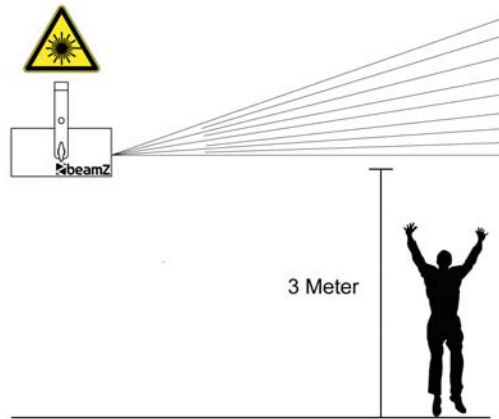
INSTALLATIE



LET OP: Het installeren dient conform de wet en gestelde eisen te geschieden! Ook dient het installeren te geschieden door vakbekwaam personeel!



De laserunit kan worden opgehangen. Dit dient op een deugdelijke wijze te geschieden door gebruik te maken van een montageklem en veiligheidskabel. Deze veiligheidsartikelen zijn bij de dealer te verkrijgen. Zoals in het volgende figuur is weergegeven dienen de laserstralen, met een minimum van 3 meter, boven de vloer te schijnen, zodanig dat individuen geen (oog)letsel oplopen. Hou rekening met eventueel aanwezige balkons o.i.d. en pas de 3 meterregel opnieuw toe. Tevens mag de laserunit nooit aanraakbaar zijn, behalve door een vakbekwaam persoon.

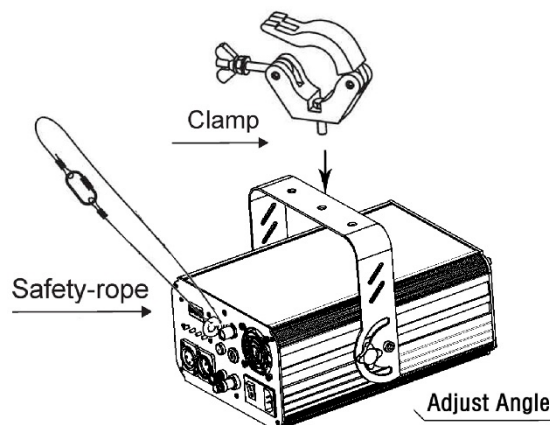


LET OP: Bediening, afstellingen of het volgen van procedures anders dan gesteld in de handleiding kunnen resulteren in gevaarlijke stralingen.

- De constructie van de ophanging dient zo te zijn dat deze 10 keer het gewicht per uur van het armatuur kan dragen.
- Gebruik altijd de meegeleverde bevestigingsbeugel om het armatuur op te hangen.
- Het armatuur dient m.b.v. een montageklem (niet meegeleverd) aan de meegeleverde bevestigingsbeugel te worden bevestigd.
- Het armatuur moet altijd worden gezekeerd d.m.v. veiligheidskabel.
- Zorg ervoor dat geen enkel individu tijdens installatie, reparatie enz. onder het armatuur staat of door kan lopen.
- De gebruiker is verantwoordelijk voor het armatuur, de installatie en de veiligheid van het geheel. Is deze daartoe niet in staat dient altijd een externe deskundige in de arm genomen te worden die het geheel controleert en de verantwoordelijkheid op zich neemt.
- De gebruiker dient minstens eens per jaar het armatuur en de installatie te laten controleren, op veiligheid, technische werking enz., door een externe deskundige.
- Het toestel dient te worden geïnstalleerd buiten handbereik.
- Voor uw eigen veiligheid en voor anderen, raden wij u aan deze laser noodstop te gebruiken. (ref.no: 152.958)



LET OP: Bij de installatie van het apparaat mag geen ontvlambaar materiaal aanwezig zijn (decoratie materiaal, enz.). Houd tenminste 50 cm afstand tot oppervlakken en andere apparatuur!



UITPAKKEN

LET OP! Onmiddellijk na ontvangst, zorgvuldig uitpakken van de doos, controleer de inhoud om ervoor te zorgen dat alle onderdelen aanwezig zijn en zijn in goede staat zijn ontvangen. Bij transportschade of ontbreken van onderdelen onmiddellijk de verkopende partij inlichten. Bewaar de verpakking en het verpakkingsmateriaal. Indien het product moet worden teruggestuurd, is het belangrijk dat het product in originele verpakking wordt getourneerd.

Als het apparaat is blootgesteld aan drastische temperatuurverschillen (bv. na het transport), schakel het apparaat niet onmiddellijk in. De ontstane condensatie kan het apparaat beschadigen. Zorg ervoor dat het apparaat op kamertemperatuur komt en steek vervolgens de voeding stekker in het stopcontact/wandcontactdoos.

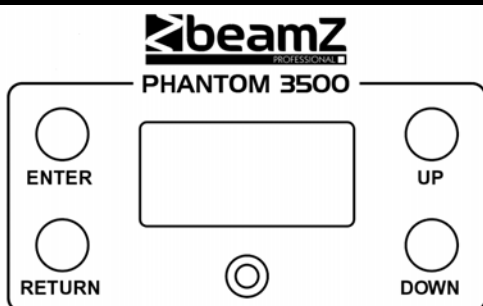
AANSLUITSPANNING

Op het label aan de achterzijde van het product staat aangegeven op welke netspanning deze moet worden aangesloten. Controleer of de netspanning hiermee overeenkomt, bij alle andere netspanningen dan aangegeven kan het apparaat onherstelbaar worden beschadigd. Tevens moet het apparaat direct op de netspanning worden aangesloten en mag géén dimmer of regelbare voeding worden gebruikt.



Sluit het apparaat altijd aan op een beschermd circuit (aardlekschakelaar of zekering). Zorg ervoor dat het apparaat voldoende elektrisch is geaard om het risico op elektrocutie of brand te vermijden.

DISPLAY



Het bedieningspaneel biedt verschillende mogelijkheden zoals: eenvoudige invoeren van het startadres, voorgeprogrammeerde programma selecteren of een reset. Het hoofdmenu wordt geopend door op de **Return**-toets, blader door het submenu door **Up** of **Down**-toets.

Druk op de **Enter**-toets om het gewenste menu te selecteren.

U kunt de selectie wijzigen door te drukken op de **Up** of **Down**-toets. Bevestig elke keuze door te drukken op de **Enter**-toets.

Je kunt elke modus verlaten door op de **Return**-toets. De functies worden verderop in de handleiding beschreven.

BEAM BESCHERMING

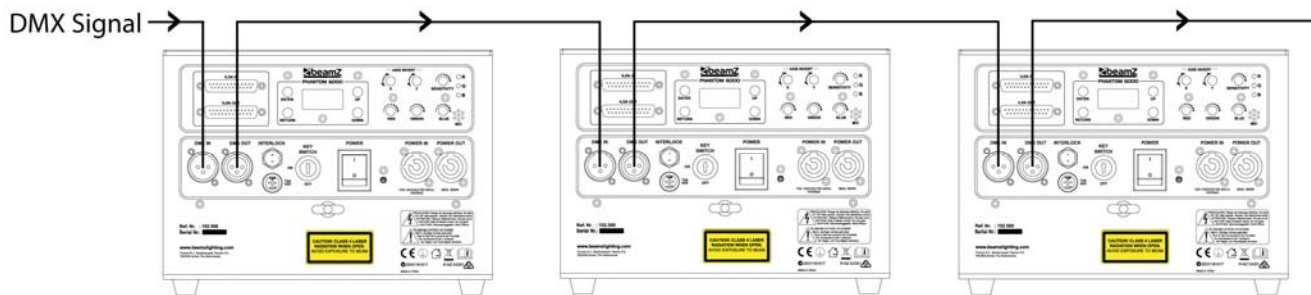
Om veiligheidsredenen kunt u de enkele beam bescherming in/uit schakelen via het display. Als u de enkele beam heeft ingeschakeld (ON) kan er een single beam ontstaan. Schakel over op OFF om de enkele beam bescherming te deactiveren.



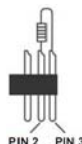
Deze functie mag alleen worden uitgeschakeld door goed opgeleide operators, na controle van de veiligheidsaspecten!

DMX-512 AANSLUITEN

Als u gebruik maakt van een standaard DMX-lichtstuurtafel, kunt u de DMX-uitgang van de stuurtafel rechtstreeks aansluiten op de DMX-ingang van het eerste DMX-apparaat. Sluit altijd de DMX-uitgang aan op de eerst volgende DMX-ingang van het volgende apparaat totdat alle apparaten zijn aangesloten. Als je een lichtstuurtafel gebruikt met 5-pins DMX-connector dient u gebruikt te maken van een 5-pin naar 3-pins verloop adapter.



Opgelet bij het laatste apparaat, dient u de DMX-lijn af te sluiten met een eindweerstand. Soldeer een 120 Ohm weerstand tussen signaal (-) en signaal (+) in een 3-polige XLR-connector en steek deze in de DMX-uitgang van het laatste apparaat in de lijn.



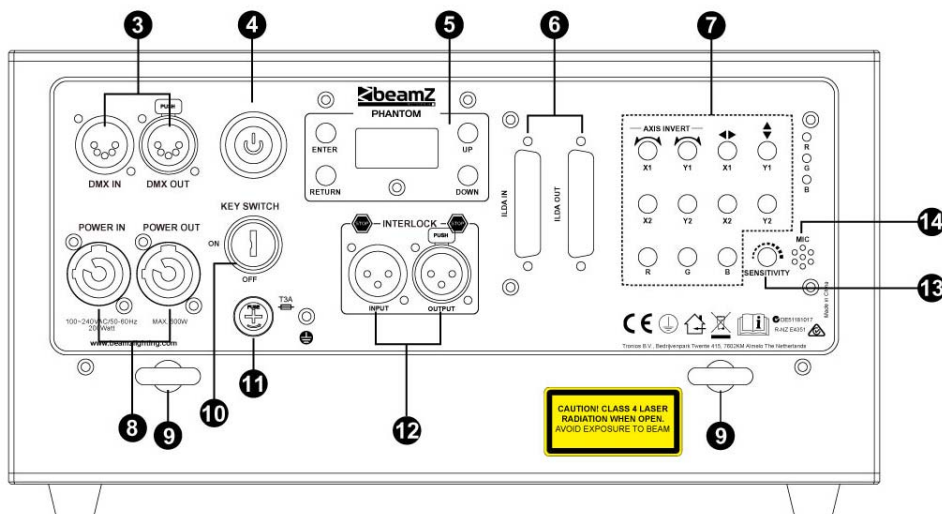
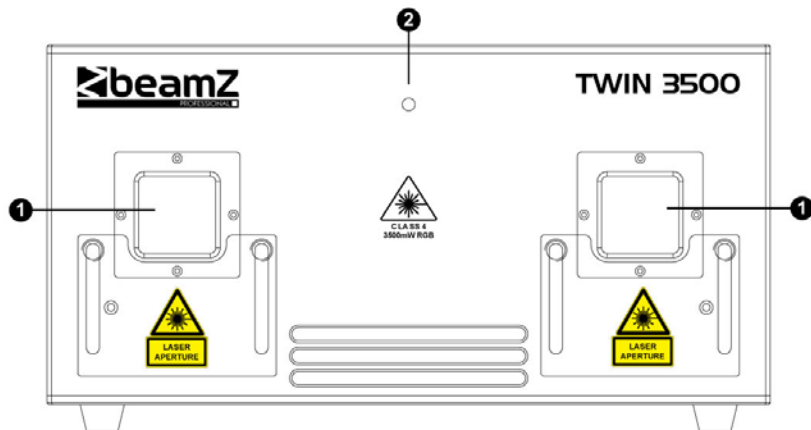
ILDA CONTROLE

Deze laser kan worden bestuurd door elke PC met ILDA compatibele software + hardware. Zodra de ILDA-ingang van de laser is verbonden met een ILDA compatibele controller, zal het automatisch overschakelen naar ILDA-control mode. Vanaf dit moment zal de laser volledig worden bediend via het ILDA protocol.

ILDA soft- en hardware zijn verkrijgbaar bij verschillende onafhankelijke leveranciers.

VOOR- EN ACHTERZIJDE

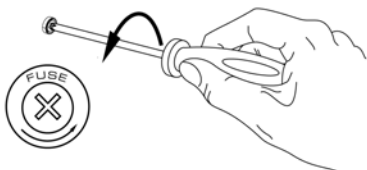
1. Laser opening
2. Laser Emissie LED
3. DMX In-/Uitgang 5-polig
4. Aan/Uit schakelaar
5. LCD Bedieningspaneel
6. DB25 ILDA interface
7. Instel bedienknoppen
8. Powerconnector In-/Uitgang
9. Veiligheidsoog
10. Sleutel schakelaar (Laserstraal is alleen beschikbaar wanneer de interlock is aangesloten.)
11. Zekeringhouder
12. Interlock In-/Uitgang 3-polig
13. Geluidgevoeligheid regelaar
14. Microfoon



VERVANGEN ZEKERING

Indien de zekering defect is, dient u de zekering te vervangen door een zekering van hetzelfde type en waarde. Voor het vervangen van de zekering, schakel eerst de stroom uit en volg de onderstaande stappen.

Procedure:



- Stap 1: Open de zekeringhouder op het achter paneel met een passende kruis schroevendraaier.
- Stap 2: Verwijder de oude zekering uit de zekeringhouder.
- Stap 3: Installeer de nieuwe zekering in de zekeringhouder.
- Stap 4: Plaats de zekeringhouder in de behuizing.

ONDERHOUD

Het reinigen van inwendige en uitwendige optische lenzen en / of spiegels moet regelmatig worden uitgevoerd om de lichtopbrengst te optimaliseren. Reinigingsfrequentie is afhankelijk van de omgeving waarin het armatuur wordt gebruikt: een klamme, rokerige of bijzonder vuile omgeving kan een grotere opeenhoping van vuil veroorzaken op de optische uitrusting.

- Zorg er voor dat gedurende het onderhoud zich geen individuen bevinden onder het apparaat.
- Schakel het apparaat uit, trek de stekker uit het stopcontact en wacht tot het apparaat is afgekoeld.
- Behuizing, bevestiging en installaties (plafond, truss, ophanging) moeten van deugdelijke aard zijn.
- Het netsnoer mag niet beschadigd zijn en moet direct vervangen worden, ook bij kleine defecten.
- Om het apparaat te beschermen tegen oververhitting dienen ventilatoren en ventilatie openingen iedere maand gereinigd te worden.
- De lens en spiegels dienen periodiek gereinigd te worden. Deze periode is afhankelijk van de aanwezigheid van viezigheid.
- Alleen reinigen met een droge doek, gebruik geen reinigingsmiddelen.
- Modificaties door de fabrikant worden zonder u op de hoogte te brengen doorgevoerd.

LET OP: Wij adviseren u het reinigen en servicen van het apparaat uit te laten voeren door een vakbekwaam persoon.

DEUTSCH

Vielen Dank für den Kauf dieses Beamz gerat. Nehmen Sie sich einen Augenblick Zeit, um diese Anleitung sorgfältig durchzulesen, damit sie die Möglichkeiten, die unser Produkt bietet, sofort voll ausnutzen können. Lesen Sie erst die Anleitung vollständig vor der ersten Inbetriebnahme durch. Befolgen Sie die Anweisung, da sonst jeglicher Garantieanspruch verfällt. Treffen Sie stets alle Sicherheits-vorkehrungen um Feuer und/oder Stromschlag zu vermeiden. Reparaturen dürfen nur von qualifiziertem Fachpersonal ausgeführt werden, um Stromschlag zu vermeiden. Bewahren Sie diese Anleitung für spätere Bezugnahme auf.

- Bewahren Sie die Verpackung auf, um das Gerät im Bedarfsfall sicher transportieren zu können.
- Bevor das Gerät in Betrieb genommen wird, muss es erst von einem Fachmann überprüft werden. Bei der ersten Benutzung kann etwas Geruch auftreten. Das ist normal und verschwindet nach einer Weile
- Das Gerät enthält unter Spannung stehende Teile. Daher NIEMALS das Gehäuse öffnen.
- Keine Metallgegenstände oder Flüssigkeiten ins Gerät dringen lassen. Sie können zu Stromschlag und Defekten führen.
- Gerät nicht in der Nähe von Wärmequellen wie Heizkörpern aufstellen. Nicht auf eine vibrierende Oberfläche stellen. Niemals die Belüftungsschlitze abdecken.
- Das Gerät ist nicht für Dauerbetrieb geeignet.
- Gehen Sie vorsichtig mit dem Netzkabel um und beschädigen Sie es nicht. Eine beschädigte Netzschnur kann zu Stromschlag und Defekten führen.
- Wenn Sie das Gerät vom Netz trennen, immer am Stecker ziehen, niemals an der Schnur.
- Um Feuer und Stromschlag zu vermeiden, das Gerät vor Regen und Feuchtigkeit schützen.
- Den Stecker nie mit nassen Händen in eine Netzsteckdose stecken oder abziehen.
- Wenn sowohl der Stecker und/oder die Netzschnur bzw. der Kabeleintritt ins Gerät beschädigt sind, müssen sie von einem Fachmann repariert werden.
- Wenn das Gerät so beschädigt ist, dass Innenteile sichtbar sind, darf der Stecker NICHT in eine Steckdose gesteckt werden und das Gerät darf NICHT eingeschaltet werden. Wenden Sie sich in dem Fall an Ihren Fachhändler. Das Gerät darf nicht an einen Dimmer angeschlossen werden.
- Reparaturen dürfen nur von einem Fachmann oder Sachverständigen ausgeführt werden.
- Das Gerät nur an eine geerdete 10-16A Netzsteckdose mit 220-240V AC/50Hz Spannung anschließen.
- Bei Gewitter oder längerem Nichtgebrauch den Netzstecker abziehen. Die Regel gilt: Bei Nichtgebrauch Netzstecker abziehen.
- Wenn das Gerät längere Zeit nicht benutzt wurde, kann sich Kondenswasser gebildet haben. Lassen Sie das Gerät erst auf Zimmertemperatur kommen, bevor Sie es einschalten.
- Das Gerät nicht in feuchten Räumen oder im Freien benutzen.
- Das Gehäuse wird sehr warm. Während des Betriebs und gleich danach nicht das Gehäuse anfassen.
- Um Unfällen in der Öffentlichkeit vorzubeugen, müssen die geltenden Richtlinien beachtet und die Anweisungen/Warnungen befolgt werden.
- Wenn das Gerät an der Decke befestigt werden soll, muss es mit einer zusätzlichen Sicherheitskette abgesichert werden. Benutzen Sie ein Traversen system mit Haken. Während der Montage darf sich niemand im Bereich darunter aufhalten. Das Gerät muss mindestens 50cm von brennbaren Materialien entfernt angebracht werden. Lassen Sie einen Mindestabstand von 1m an jeder Seite des Geräts frei, um ausreichende Kühlung zu gewährleisten.
- Das Gerät besitzt eine hochintensive LED. Niemals direkt in die LED blicken, um die Augen nicht zu beschädigen.
- Niemals das Gerät kurz hintereinander ein- und ausschalten. Dadurch verkürzt sich die Lebensdauer erheblich.
- Das Gerät außerhalb der Reichweite von Kindern halten. Das Gerät niemals unbeaufsichtigt lassen.
- Die Regler nicht mit Reinigungssprays reinigen. Diese hinterlassen Rückstände, die zu Staub- und Fettansammlungen führen. Bei Störungen immer einen Fachmann um Rat fragen.
- Das Gerät nur mit sauberen Händen bedienen.
- Das Gerät nicht mit Gewalt bedienen.
- Nach einem Unfall mit dem Gerät immer erst einen Fachmann um Rat fragen, bevor Sie es wieder einschalten.
- Keine chemischen Reinigungsmittel benutzen, die den Lack beschädigen. Das Gerät nur mit einem trockenen Tuch abwischen.
- Nicht in der Nähe von elektronischen Geräten benutzen, die Brummstörungen verursachen können.
- Bei Reparaturen nur die Original-Ersatzteile verwenden, um starke Schäden und/oder gefährliche Strahlungen zu vermeiden.
- Bevor Sie das Netz- und/oder Anschlusskabel abziehen, erst das Gerät ausschalten. Netz- und Anschlusskabel abziehen, bevor Sie das Gerät umstellen.
- Sorgen Sie dafür, dass das Netzkabel nicht beschädigt werden kann, wenn Menschen darüber laufen. Das Netzkabel vor jedem Einsatz auf Brüche/Schadstellen überprüfen.
- In Deutschland beträgt die Netzspannung 220-240V AC / 50Hz. Wenn Sie das Gerät auf Reisen mitnehmen, prüfen Sie, ob die örtliche Netzspannung den Anforderungen des Geräts entspricht.



Dieses Zeichen weist den Benutzer darauf hin, dass lebensgefährliche Spannungen im Gerät anliegen, die bei Berührung einen Stromschlag verursachen.



Dieses Zeichen lenkt die Aufmerksamkeit des Benutzers auf wichtige Hinweise in der Anleitung hin, die unbedingt eingehalten werden müssen.



NIEMALS DIREKT IN DIE LINSE BLICKEN. Dies kann Ihre Augen verletzen. Epileptiker müssen die Auswirkungen berücksichtigen, die die Effekte dieses gerat auf ihre Gesundheit haben können. Das Gerät ist CE geprüft. Daher dürfen KEINE Veränderungen vorgenommen werden. Außerdem verfällt bei Veränderungen am Gerät jeglicher Garantieanspruch!

HINWEIS: Um einen einwandfreien Betrieb zu gewährleisten, muss die Raumtemperatur zwischen 5°C/41°F und 35°C/95° liegen.



Tronios BV Registrierungsnummer : DE51181017 (ElektroG). Dieses Produkt darf am Ende seiner Lebensdauer nicht über den normalen Haushaltsabfall entsorgt werden, sondern muss an einem Sammelpunkt für das Recycling abgegeben werden. Hiermit leisten Sie einen wichtigen Beitrag zum Schutze unserer Umwelt.

Tronios BV Registrierungsnummer : 21003000 (BatterieG). (Lithium)Batterien und Akkupacks sollten nur im entladenen Zustand in die Altbatteriesammelgefäße bei Handel und bei öffentlich-rechtlichen Entsorgungsträgern gegeben werden. Bei nicht vollständig entladenen Batterien Vorsorge gegen Kurzschluss treffen durch Isolieren der Pole mit Klebestreifen. Der Entnutzer ist zur Rückgabe von Altbatterien gesetzlich verpflichtet.

Reparieren Sie das Gerät niemals selbst und nehmen Sie niemals eigenmächtig Veränderungen am Gerät vor. Sie verlieren dadurch den Garantieanspruch. Der Garantieanspruch verfällt ebenfalls bei Unfällen und Schäden in jeglicher Form, die durch unsachgemäßen Gebrauch und Nichtbeachtung der Warnungen und Sicherheitshinweise in dieser Anleitung entstanden sind. Beamz ist in keinem Fall verantwortlich für persönliche Schäden in Folge von Nichtbeachtung der Sicherheitsvorschriften und Warnungen. Dies gilt auch für Folgeschäden jeglicher Form.

LASER SICHERHEITSHINWEISE



Bei diesem Gerät besteht Verletzungsgefahr! Lesen Sie diese Anweisungen genau durch. Sie enthalten wichtige Informationen über die Montage, sicheren Gebrauch und Wartung!



Laserlicht hat nichts mit anderen Lichtquellen, die sie vielleicht kennen, zu tun. Das Licht dieses Produktes kann Augenverletzungen verursachen, wenn es nicht richtig installiert und bedient wird. Laserlicht ist mehrere tausend Male konzentrierter als jede andere Lichtquelle. Diese hohe Konzentration kann zu sofortigen Augenverletzungen führen, insbesondere zur Verbrennung der Netzhaut. Selbst wenn Sie keine „Hitze“ vom Laserstrahl spüren, kann er trotzdem Blindheit verursachen. Sogar ganz geringe Mengen von Laserstrahlen auf lange Entfernungen sind gefährlich.

Es ist falsch zu denken, dass ein einzelner Strahl aus einem Bündel von Hunderten von den Laserstrahlen, kann es nicht zu Verletzungen führen.

Es ist ebenfalls falsch zu glauben, dass der Laserstrahl harmlos ist, weil er sich bewegt. Das ist nicht wahr und außerdem bewegt er sich auch nicht ständig. Da Augenverletzungen sofort auftreten, ist es lebenswichtig, die Möglichkeit von eventuellem, direktem Augenkontakt völlig auszuschließen. In den Sicherheitsbestimmungen für Laser ist es illegal, einen Laser der Klasse 3B/4 auf Bereiche zu richten, wo sich Personen befinden können. Dies gilt auch, wenn der Strahl unterhalb von den Augen der Menschen, z.B. auf den Tanzboden gerichtet ist.

VORSICHT!

- Den Laserstrahl niemals auf Menschen oder Tiere richten.
- Niemals in die Laseraustrittsöffnung oder einen Laserstrahl blicken, dies kann Augenschäden oder Blindheit verursachen.
- Den Laserstrahl nicht auf Bereiche richten, wo Menschen möglicherweise dem Strahl ausgesetzt werden können, z.B. einen unüberwachten Balkon
- Die Lasereinheiten Stattdessen bewegen, so dass Laser über dem Publikum strahlt. Siehe unten in diesem Handbuch.
- Testen Sie die Lasereinheiten immer zuerst, bevor das Publikum vorhanden ist.
- Es ist verboten und gefährlich, den Laserstrahl aufs Publikum zu richten, wo das Licht oder die Reflexion des Lichtstrahls Personen ins Auge treffen kann
- Niemals den Laserstrahl auf Flugzeuge oder in der freien Luft, das ist eine Straftat.
- Einstellen oder andere als in dieser Anleitung angegeben sind, kann zu gefährlicher Freigabe von unerwünschter Strahlung führen.
- Niemals die Austrittsoptik chemischen Reinigungsmitteln aussetzen.
- Der Betrieb eines Lasers ist zu zulässig, wenn das Gerät von einem ausgebildeten Fachmann betrieben wird, der mit den Informationen in dieser Anleitung vertraut.
- Den Laser nicht benutzen, wenn das Gehäuse beschädigt oder geöffnet ist, oder wenn die Optik in irgendeiner Weise beschädigt zu sein scheint.
- Das Gerät niemals ohne Aufsicht laufen lassen.

Die gesetzlichen Vorschriften zum Gebrauch von Laser in der Unterhaltungselektronik ist von Land zu Land verschieden. Der Benutzer ist für die Einhaltung der gesetzlichen Vorschriften verantwortlich.



Dieses Gerät enthält Laserkomponenten mit hoher Leistung, spannungsführende Teile und Teile, die Strahlung aussenden. Daher NICHT ÖFFNEN das Gehäuse, kann dies fatal. Es kann auch zu Blindheit, Hautverbrennungen und Brände verursachen.

Augenschäden tritt schneller, als Sie deine Augen blinzeln.

Weitere Richtlinien und Programme zur sicheren Benutzung von Lasergeräten finden Sie in der Norm ANSI Z136.1 "For Safe Use of Lasers", die vom Laser Institute of America: www.laserinstitute.org bezogen werden kann. Viele lokale Behörden, Unternehmen, Agenturen, das Militär und andere Einrichtungen erfordern eine Benutzung von Lasergeräten gemäß der Norm ANSI Z136.1. Die Richtlinie "Laser Display" kann über die International Laser Display Association: www.laserist.org bezogen werden.



Hinweis! Die Nutzung in Frankreich ist nur für den professionellen Anwender und nicht für den Endbenutzer zulässig. Siehe Beschluß: www.legifrance.gouv.fr



LASERLEBENSDAUER

Befolgen Sie die folgenden Hinweise, um eine längere Laserlebensdauer zu genießen:

- Ein schnelles Ein- / Ausschalten des Geräts reduziert die Lebensdauer der Laserdiode erheblich.
- Sicherstellen, dass das Gerät nicht überhitzt wird:
 - Schalten Sie das Gerät aus, wenn es nicht benötigt wird. Dioden sind eingeschaltet und können verschleißen, auch wenn keine sichtbare Laserleistung vorhanden ist.
 - Schalten Sie das Gerät nach 1 Stunde aus und lassen Sie den Laser 15 Minuten abkühlen.
 - Stellen Sie sicher, dass die Lüfter und Kühlkörper frei von Staub und Schmutz sind.

LASER
LIFE TIME 

INSTALLATION

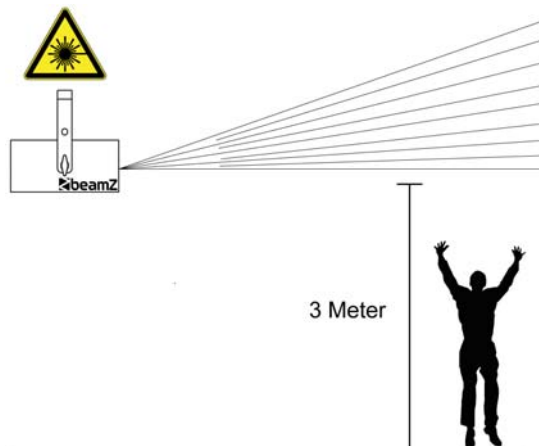


VORSICHT: Bitte beachten Sie die entsprechende nationale Gesetzgebung während der Montage! Die Installation darf nur von befugten Angestellten oder Fachleuten ausgeführt werden



Das Gerät muss aufgehängt werden. Aus Sicherheitsgründen ist es empfehlenswert, den Lichteffekt mit einem geeigneten Haken und Sicherheitskabel zu befestigen. Geeignetes Material erhalten Sie bei Ihrem Fachhändler für Lichteffektgeräte.

Internationale Laser Sicherheitsbestimmungen verlangen, dass Laser wie unten abgebildet eingesetzt werden, in einer Mindesthöhe von 3m über dem Boden. Hinzu kommt ein horizontaler Abstand von 2,5m zwischen dem Laser und dem Publikum.

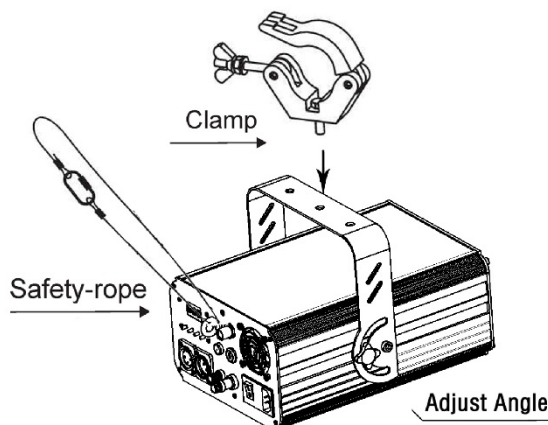


VORSICHT: Die Ausführung von Befehlen, Einstellungen und Handlungen, die nicht in dieser Anleitung beschrieben sind, können zu gefährlichen Laserstrahlungen führen.

- Die Aufhängung des Geräts muss 10-mal das Eigengewicht 1 Stunde lang ohne Spuren von Verformung tragen können.
- Die Anlage muss immer mit einer zweiten Sicherheitsvorrichtung z.B. einem geeigneten Fallnetz abgesichert werden. Die zweite Sicherheitsvorrichtung muss so gebaut sein, dass keine Teile des Geräts auf den Boden fallen können, falls die Hauptbefestigung nachgibt.
- Achten Sie drauf, dass sich während der Montage, Demontage und Wartung keine Personen unter dem Montageplatz befinden.
- Der Benutzer muss sicherstellen, dass alle sicherheitstechnischen Anlagen von einem Fachmann geprüft werden, bevor er die Anlage zum ersten Mal in Betrieb nimmt oder nach Änderungen der Anlage.
- Der Benutzer muss sicherstellen, dass die Anlage einmal im Jahr von einem Fachmann geprüft wird.
- Das Gerät muss an einem Ort angebracht werden, wo es nicht von Personen erreicht werden kann und wo sich keine Personen weder stehend noch sitzend aufhalte.
- Zu Ihrer eigenen Sicherheit und für die anderen, empfehlen wir Ihnen, diese Laser Notfall benutzen. (ref.no: 152.958)



VORSICHT: Die Ausführung von Befehlen, Einstellungen und Handlungen, die nicht in dieser Anleitung beschrieben sind, können zu gefährlichen Laserstrahlungen führen.



AUSPACKEN

Packen Sie das Gerät sofort nach Empfang aus und prüfen Sie den Inhalt. Wenn Teile fehlen oder beschädigt sind, benachrichtigen Sie sofort den Spediteur und bewahren Sie die Verpackung auf. Falls ein Gerät ins Werk zurückgeschickt werden muss, ist es wichtig, dass es in der Originalverpackung versandt wird.

Das Gerät darf nicht in Betrieb genommen werden, nachdem es von einem kalten in einen warmen Raum gebracht wurde. Das dabei entstehende Kondenswasser kann unter Umständen Ihr Gerät zerstören. Lassen Sie das Gerät solange uneingeschaltet, bis es Zimmertemperatur erreicht hat!

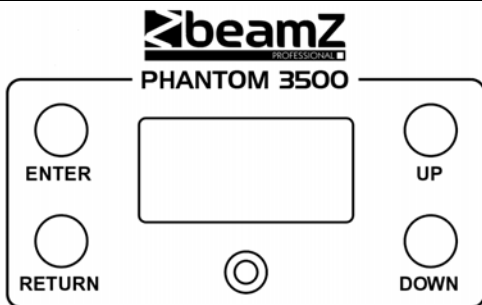
NETZANSCHLUSS

Die benötigte Versorgungsspannung steht auf dem Typenschild auf der Rückseite des Geräts. Die angegebenen Stromwerte entsprechen einem Durchschnittswert bei normalem Betrieb. Alle Geräte müssen direkt ans Netz angeschlossen werden und dürfen nicht über Dimmerpacks geschaltet werden. Bevor Sie eine Spannung anlegen, prüfen Sie, ob der Wert der zulässigen Spannung entspricht.



Verbinden Sie immer das Produkt an einem geschützten Schaltkreis (Leistungsschalter oder Sicherung). Stellen Sie sicher, das Produkt ist elektrisch geerdet, um das Risiko eines Stromschlags oder Feuer zu vermeiden.

DISPLAY



Die Konsole bietet verschiedene Funktionen wie: einfache Eingabe der Startadresse, wählen Sie Preset-Programm oder ein Reset. Das Hauptmenü wird durch Drücken der **Return**-Taste aufgerufen, blättern Sie durch die Untermenüs durch **Up** oder **Down**-Taste.

Drücken Sie die **Enter**-Taste, um das gewünschte Menü auszuwählen.

Sie können die Auswahl mit der Taste **Up** oder **Down**, ändern. Bestätigen Sie jede Auswahl mit der **Enter**-Taste.

Sie können jeden Modus durch Drücken der **Return**-Taste verlassen. Die Funktionen werden später in dieser Gebrauchsanleitung beschrieben.

EINS BEAM WAHRUNG

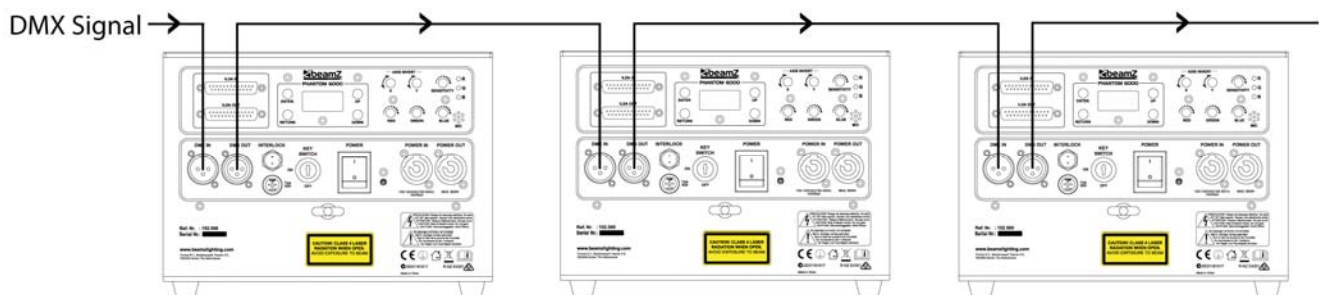
Aus Sicherheitsgründen können Sie den einen Strahl Schutz Ein / Aus über Display wechseln. Wenn die einen Strahl aktiviert ist (ON) hoch einzigen Strahl unterdrückt werden fokussiert. Wechseln Sie auf OFF, um den einen Strahl Schutz zu deaktivieren.



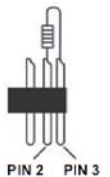
Diese Funktion sollte nur von gut ausgebildeten Bediener, nach der Prüfung gut, alle Sicherheitsaspekte ausgeschaltet!

DMX-512 ANSCHLUSS

Wenn Sie einen standard Controller verwenden, können Sie den DMX-Ausgang des Controllers direkt mit dem DMX-Eingang des ersten Gerätes der DMX-Kette verbinden. Verbinden Sie immer einen Ausgang mit dem Eingang des nächsten Gerätes bis alle Geräte angeschlossen sind. Sollen DMX-Controller mit 5-polige XLR-Ausgängen angeschlossen werden, müssen 5-polige nach 3-polige Adapter verwendet werden.



Achtung, Am letzten Gerät muss das DMX-Kabel durch einen Abschlusswiderstand abgeschlossen werden. Dazu wird ein XLR-Stecker in den DMX-Ausgang am letzten Gerät gesteckt, bei dem zwischen Signal (-) und Signal (+) ein 120 Ohm Widerstand eingelötet ist.



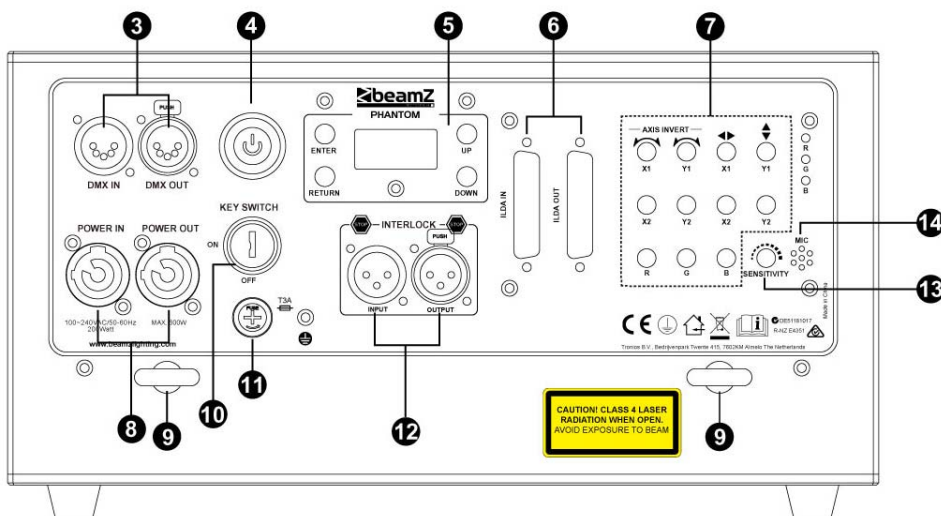
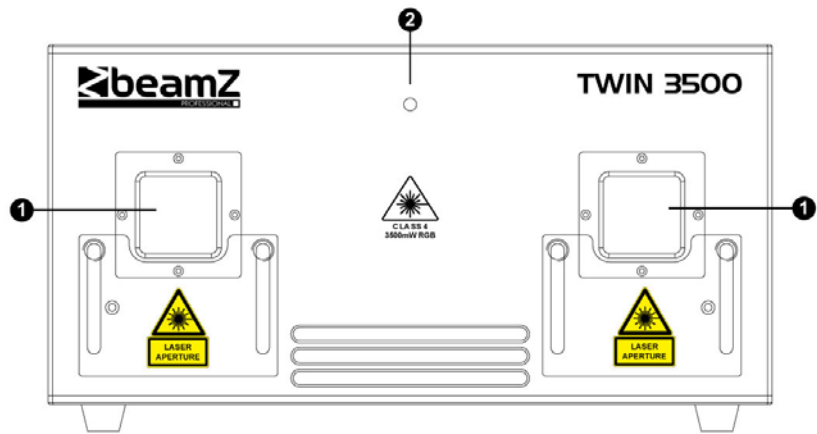
ILDA KONTROLLE

Dieser Laser kann von jedem PC mit ILDA-kompatible Software + Hardware gesteuert werden. Sobald der ILDA-Eingang des Lasers mit einer ILDA-kompatiblen Controller angeschlossen ist, wird es automatisch auf ILDA Steuermodus wechseln. Von diesem Moment an wird der Laser vollständig von der ILDA-Software gesteuert werden: die Möglichkeiten der ILDA-Software wird bestimmen, was Sie tun können oder nicht.

ILDA Soft- und Hardware sind von verschiedenen unabhängigen Anbietern zur Verfügung.

VORDER- UND RÜCKSEITE

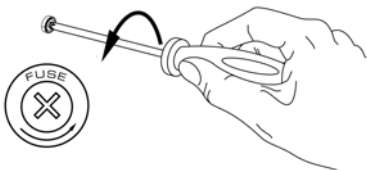
1. Laser Öffnung
2. Laser Emission LED
3. DMX Ein-/Ausgang
4. Ein-/ Ausschalter
5. LCD Bedienfeld
6. DB25 ILDA interface
7. Funktionsknöpfe
8. Powerconnector Ein-/Ausgang
9. Sicherheitsauge
10. Schlüsselschalter (Laserleistung ist nur verfügbar, wenn die Verriegelung verbunden ist.)
11. Fuse holder
12. Interlock In-/Output 3 pins
13. Musik Empfindlichkeitsregler
14. Mikrofon



SICHERUNGSWECHSEL

Wenn die Feinsicherung des Gerätes defekt ist, darf diese nur durch eine Sicherung gleichen Typs ersetzt werden. Vor dem Sicherungswchsel ist das Gerät allpolig von der Netzspannung zu trennen (Netzsteckerziehen).

Vorgehensweise:



- Schritt 1: Öffnen Sie den Sicherungshalter an der Geräterückseite mit einem passenden Schraubendreher.
- Schritt 2: Entfernen Sie die defekte Sicherung aus dem Sicherungshalter.
- Schritt 3: Setzen Sie die neue Sicherung in den Sicherungshalter ein.
- Schritt 4: Setzen Sie den Sicherungshalter wieder im Gehäuse ein.

REINIGUNG UND WARTUNG

Der inneren und äußeren optischen Linsen und / oder Spiegel müssen regelmäßig gereinigt werden, um die Lichtleistung zu optimieren. Die Häufigkeit der Reinigung hängt von der Umgebung, in der das: feuchte, verrauchte und besonders verschmutzte Umgebung führen zu größerer Verschmutzung auf den Linsen des Geräts verursachen.

- Stellen Sie sicher, dass der Bereich unterhalb des Geräts befinden sich keine unbefugten Personen im Servicefall.
- Alle Schrauben, mit denen das Gerät oder Geräteteile montiert sind, müssen fest sitzen und dürfen nicht korrodiert sein.
- An Gehäuse, Befestigungen und Montageort (Decke, Abhängung, Traverse) dürfen keine Verformungen sichtbar sein.
- Die elektrischen Anschlussleitungen dürfen keinerlei Beschädigungen, Materialalterung (z.B. poröse Leitungen) oder Ablagerungen aufweisen. Um den Laser vor Überhitzung Lüfter und Lüftungsschlitze sollten monatlich gereinigt werden, zu schützen.
- Das Objektiv und Spiegel sollten regelmäßig gereinigt werden. Diese Zeit ist abhängig von der vorhandenen Schmutz.
- Reinigen Sie es nur mit einem trockenen Tuch.
- Auf keinen Fall Alkohol oder irgendwelche Lösungsmittel zur Reinigung verwenden!
- Reinigen Sie das Objektiv sauber mindestens einmal im Monat.
- Änderungen, ohne dass Sie den vom Hersteller geändert informieren.

ACHTUNG: Wartungs- und Servicearbeiten sind ausschließlich dem autorisierten Fachhandel vorbehalten!

Enhorabuena por la compra de este efecto de luces Beamz. Por favor lea atentamente este manual antes de usar el aparato para disfrutar al completo de sus prestaciones.

Seguir las instrucciones le permite no invalidar la garantía. Tome todas las precauciones para evitar que se produzca fuego o una descarga eléctrica. Las reparaciones solo deben llevarse a cabo por técnicos cualificados para evitar descargas eléctricas. Guarde el manual para futuras consultas. Antes de usar el aparato, por favor pida consejo a un profesional. Cuando el aparato se enciende por primera vez, suele sentirse cierto olor. Esto es normal y desaparece al poco tiempo.

- Este aparato contiene piezas que llevan voltaje. Por lo tanto NO abra la carcasa.
- No coloque objetos metálicos o vierta líquidos dentro del aparato. Podría producir descargas eléctricas y fallos en el funcionamiento.
- No coloque el aparato cerca de fuentes de calor tipo radiadores, etc. No coloque el aparato en superficies vibratorias. No tape los agujeros de ventilación.
- Este aparato no está preparado para un uso continuado.
- Tenga cuidado con el cable de alimentación y no lo dañe. Un daño o defecto en el cable de alimentación puede producir una descarga eléctrica o fallo en el funcionamiento.
- Cuando desconecte el aparato de la toma de corriente, siempre tire de la clavija, nunca del cable.
- No enchufe o desenchufe el aparato con las manos mojadas.
- Si la clavija y/o el cable de alimentación están dañados, necesitan reemplazarse por un técnico cualificado.
- Si el aparato está dañado de modo que puedan verse sus partes internas, NO conecte el aparato a la toma de corriente y NO lo encienda. Contacte con su distribuidor. NO conecte el aparato a un reostato o dimmer.
- Para evitar un fuego o peligro de descarga, no exponga el aparato a la lluvia y a la humedad.
- Todas las reparaciones deben llevarse a cabo exclusivamente por técnicos cualificados.
- Conecte el aparato a una toma de corriente con toma de tierra (220-240Vca/50Hz) protegida por un fusible de 10-16A.
- Durante una tormenta o si el aparato no va a usarse durante un periodo largo de tiempo, desconéctelo de la toma de corriente. La regla es: Desconéctelo si no lo va a usar.
- Si el aparato no se ha usado en mucho tiempo puede producirse condensación. Deje el aparato a temperatura ambiente antes de encenderlo.
- Nunca utilice el aparato en ambientes húmedos o en el exterior.
- Durante el funcionamiento, la carcasa se calienta muchísimo. No la toque durante el funcionamiento o inmediatamente después.
- Para prevenir accidentes en las empresas, debe seguir las directrices aplicables y seguir las instrucciones.
- Asegure el aparato con una cadena de seguridad extra si el aparato se monta en un techo. Utilice un sistema de truss con ganchos. Asegúrese de que nadie permanece en el área de montaje. Monte el efecto a una distancia de al menos 50cm de materiales inflamables y deje un espacio de al menos 1 metro a cada lado para permitir que haya suficiente ventilación.
- Este aparato contiene LEDs de alta luminosidad. No mire a la luz del LED para evitar daños en su vista.
- No lo apague y encienda repetidamente. Esto acorta su tiempo de vida.
- Mantenga el aparato fuera del alcance de los niños. No deje el aparato sin vigilancia.
- No utilice sprays limpiadores para limpiar los interruptores. Los residuos de estos sprays producen depósitos de polvo y grasa. En caso de mal funcionamiento, siempre consulte a un profesional.
- Solo maneje el aparato con las manos limpias.
- No fuerce los controles.
- Si el aparato se ha caído, siempre haga que lo verifique un técnico cualificado antes de encenderlo otra vez.
- NO utilice productos químicos para limpiar el aparato. Dañan el barniz. Tan solo límpielo con un trapo seco.
- Manténgalo lejos de equipos electrónicos ya que pueden producir interferencias.
- Solo utilice recambios originales para las reparaciones, de otro modo pueden producirse daños serios y/o radiaciones peligrosas.
- Apague el aparato antes de desconectarlo de la toma de corriente y/o de otros equipos. Desconecte todos los cables y conexiones antes de mover el aparato.
- Asegúrese de que el cable de alimentación no puede dañarse cuando la gente lo pise. Compruebe el cable de alimentación antes de cada uso por si hay daños o defectos.
- El voltaje de funcionamiento es 220-240Vca/50Hz. Compruebe que la toma de corriente coincide. Si tiene que viajar, asegúrese de que el voltaje del país es el adecuado para este aparato.
- Guarde el embalaje original para poder transportar el aparato en condiciones seguras.



Esta señal advierte al usuario de la presencia de alto voltaje en el interior de la carcasa y que es de la suficiente magnitud como para producir una descarga eléctrica.



Esta señal advierte al usuario de que el manual contiene instrucciones importantes que han de leerse y seguirse al pie de la letra.



NO MIRE DIRECTAMENTE A LA S LENTES. Puede dañarle la vista. Las personas propensas a tener ataques epilépticos deben tener en cuenta los efectos que este efecto de luces puede tener en ellos.

Este aparato ha obtenido el certificado CE. Está prohibido hacer cambios en el aparato. ¡Invalidaría el certificado CE y su garantía!

NOTA: Para asegurarse de que el aparato funcione correctamente, debe usarse en ambientes a una temperatura de entre 5°C/41°F y 35°C/95°F.



Los productos electrónicos no pueden tirarse a la basura normal. Por favor lleve este producto a un centro de reciclaje. Pregunte a la autoridad local en caso de duda. Las especificaciones son generales. Los valores actuales pueden variar de una unidad a otra. Las especificaciones pueden variar sin previo aviso.

Nunca intente reparar usted mismo este equipo. Esta manipulación anulará la garantía. No realice cambios en la unidad. Esta manipulación anulará la garantía. Esta garantía no es aplicable en caso de accidente o daños ocasionados por uso indebido del aparato o mal uso del mismo. Beamz no se hace responsable de daños personales causados por el no seguimiento de las normas e instrucciones de este manual. Esto es aplicable también a los daños de cualquier tipo.

SEGURIDAD LASER



Leer para la puesta en marcha del láser todas las instrucciones de seguridad y los datos técnicos de este manual cuidadosamente y a fondo.



La luz láser es diferente a cualquier otra fuente de luz con la que usted puede estar familiarizado. La luz de este producto puede potencialmente causar lesiones en los ojos si no se establece y se utiliza correctamente. La luz del láser es mil veces más concentrada que la luz de cualquier otro tipo de fuente de luz. Esta concentración de poder de luz puede causar lesiones oculares instantáneas, principalmente por la quema de la retina (la parte sensible a la luz en la parte posterior del ojo). Incluso si usted no puede sentir el "calor" de un rayo láser, se puede dañar potencialmente usted o cegar a su público. Incluso pequeñas cantidades de luz láser son potencialmente peligrosas, incluso a largas distancias. Lesiones en los ojos con láser pueden suceder más rápido de lo que puede parpadear.

Es un error suponer que un solo rayo de un paquete de cientos de los rayos láser no puede causar lesiones.

También es incorrecto suponer que es seguro mirar un rayo en movimiento. En la regulación de la seguridad del láser, no es legal para apuntar Clase 3B / 4 láseres en las áreas que la gente puede expuestas como en una pista de baile.

Precaución:

- No apunte el láser hacia personas o animales.
- Nunca mirar en la apertura láser o láser, esto potencialmente puede causar lesiones en los ojos instantánea o ceguera si la luz láser golpea directamente a los ojos.
- No apunte el láser en áreas en las que las personas puedan quedar expuestas, como balcón, etc.
- Instale las unidades de láser de tal manera que los rayos láser se muevan por encima de la audiencia. Véase más adelante en este manual.
- Pruebe las unidades láser siempre primero antes de que el público esté presente.
- No apunte hacia el público o en superficies muy reflectantes tales como ventanas, espejos y metal brillante. Incluso los reflejos láser pueden ser peligrosos.
- Nunca apunte un láser a un avión o al cielo, esto es un delito federal.
- El uso de controles, ajustes o procedimientos distintos a los especificados aquí puede provocar una exposición peligrosa a la radiación.
- No exponga la óptica de salida (apertura) a los productos químicos de limpieza.
- Sólo se permite el funcionamiento de un láser si el espectáculo es controlado por un operador experto y bien entrenado familiarizados con los requisitos que se necesitan.
- No utilice el láser si la carcasa está dañada o abierta, o si la óptica aparece dañada de alguna manera.
- Nunca deje este aparato en funcionamiento sin vigilancia.
- Utilice siempre cables de seguridad de iluminación adecuados al colgar luces y efectos generales.

Los requisitos legales para el uso de productos de entretenimiento láser varían en cada país. El usuario es responsable de los requisitos legales en lugar / país de uso.



Esta unidad contiene componentes láser con alta potencia, las partes activas y partes que emiten radiación. Por lo tanto, no abra la carcasa, esto puede ser fatal. También puede causar ceguera, quemaduras en la piel e incendios.

El daño ocular se produce más rápido que un puede abrir y cerrar de ojos.

Otras directrices y programas de seguridad para el uso seguro de los láseres se pueden encontrar en la norma ANSI Z136.1 "Para un uso seguro de Láseres", disponible en "www.laserinstitute.org". Muchos gobiernos locales, corporaciones, agencias, militares y otros, requieren que todos los láseres que se utilizan bajo las directrices de la norma ANSI Z136.1. Orientación Laser Display se puede obtener a través de la Asociación Internacional de visualización del laser, www.laserist.org.



Atención!! El uso de este aparato en Francia está restringido a profesionales y no a usuario final. Vea la decisión: www.legifrance.gouv.fr.



LASER LIFETIME

Siga los consejos a continuación para disfrutar de una mayor vida útil del láser:

- Encender y apagar de forma rápida esta unidad, puede reducir de forma drástica la vida del diodo laser.
- Asegúrese que la unidad no tiene sobrecalentamiento.
 - Apague la unidad cuando no vaya a utilizarla. Los diodos están encendidos y desgastándose aunque el rayo laser no sea visible.
 - Apague la unidad después de 1 hora de trabajo y permita refrigeración durante al menos 15 minutos.
 - Asegúrese que los ventiladores y salidas de aire estén libres y limpias de polvo y suciedad.

LASER
LIFE TIME 

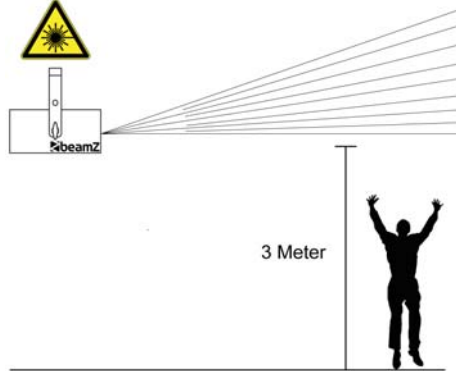
INSTALACIÓN



PRECAUCIÓN: Por favor, considere las respectivas normas nacionales durante la instalación! La instalación sólo debe ser realizada por un empleado autorizado o distribuidores!



Este artefacto ha sido diseñado para ser colgado. Se recomienda por motivos de seguridad, que este efecto de iluminación esté montado adecuadamente mediante una abrazadera colgante adecuada y cable de seguridad. Los productos adecuados para el montaje seguro y eficaz se pueden obtener fácilmente de su proveedor de iluminación. Las regulaciones internacionales de seguridad láser requieren que los láseres deban funcionar de la manera se ilustra a continuación, con un mínimo de 3 metros (9,8 pies) de separación vertical entre el suelo y la luz más baja del láser vertical. Además, 2,5 metros de separación horizontal se requiere entre la luz láser y la audiencia u otros espacios públicos.

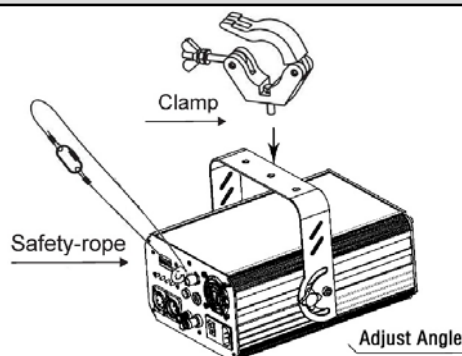


ATTENTION : Une utilisation des commandes, réglages ou une gestion des procédures autres que celles décrites ici peuvent engendrer une exposition dangereuse aux rayons.

- La instalación del aparato debe ser de una manera que pueda soportar 10 veces el peso durante 1 hora sin sufrir deformaciones dañosas.
- Utilice siempre el soporte de montaje suministrado para colgar el aparato.
- El aparato debe ayudarse de un soporte de montaje (no incluido).
- La instalación siempre debe ser efectuada con un accesorio de seguridad secundario, por ejemplo, una red de anclaje adecuada. Este accesorio de seguridad secundario debe ser construido de una manera que ninguna parte de la instalación puede caer si falla el accesorio principal.
- Asegúrese de que el área por debajo del sitio de instalación está libre de personas ajenas durante el montaje, la manipulación y el mantenimiento.
- El operador tiene que asegurarse de que las instalaciones de seguridad y de máquinas son inspeccionadas por un experto antes de tener en funcionamiento por primera vez y después de los cambios antes de tomar en funcionamiento otra vez.
- El operador tiene que asegurarse de que las instalaciones de seguridad y de máquinas son inspeccionadas por un técnico una vez por año.
- El aparato debe instalarse en la posición en la que las personas no puedan llegar.
- Por su propia seguridad y la de los demás, recomendamos muy seriamente que utilice el interruptor rápido de emergencia para láser. (ref.no: 152.958)



PRECAUCIÓN: Cuando instale el dispositivo, asegúrese de que no hay material inflamable (artículos de decoración, etc.) entre una distancia de mínimo 0,5 metros.



INSTRUCCIONES DE DESEMBALAJE

ATENCIÓN! Inmediatamente después de recibir un dispositivo, desempaque cuidadosamente la caja de cartón, compruebe el contenido para asegurarse de que todas las partes están presentes, y se han recibido en buenas condiciones. Notifique inmediatamente al transportista y conserve el material de embalaje para la inspección por si aparecen daños causados por el transporte o el propio envase muestra signos de mal manejo. Guarde el paquete y todos los materiales de embalaje. En el caso de que deba ser devuelto a la fábrica, es importante que el aparato sea devuelto en la caja de la fábrica y embalaje originales.

Si el aparato ha estado expuesto a grandes cambios de temperatura (tras el transporte), no lo enchufe inmediatamente. La condensación de agua producida podría dañar su aparato. Deje el dispositivo apagado hasta que se haya alcanzado la temperatura ambiente.

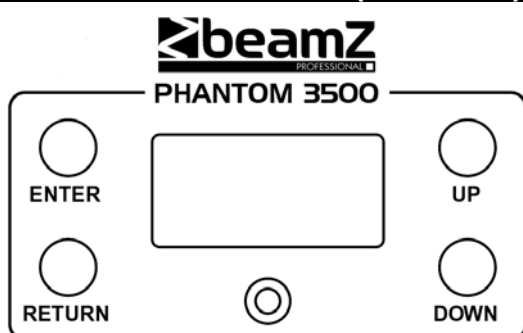
FUENTE DE ALIMENTACIÓN

En la etiqueta de la parte trasera del controlador se indica el tipo de fuente de alimentación que debe ser conectado. Compruebe que la tensión de red corresponda a esto, todos los otros voltajes a la especificada, puede causar efectos irreparable. El controlador también debe estar conectado directamente a la red para ser utilizado. No en ninguna fuente de alimentación o dimmer ajustable.



Conecte siempre el producto a un circuito protegido (disyuntor o fusible). Asegúrese de que el producto tiene una toma de tierra adecuada para evitar el riesgo de electrocución o incendio.

PANEL DE CONTROL (DISPLAY)



The El panel de control ofrece varias características: puede simplemente asignar la dirección de inicio, ejecutar el programa de pre-programado o hacer un reset.

Al menú principal se accede pulsando la tecla **Return**, se navega por el submenú pulsando arriba o abajo.

Pulse el botón **Enter** para seleccionar el menú deseado. Usted puede cambiar la selección pulsando arriba o abajo. Confirme cada selección pulsando la tecla Intro.

Puede abandonar cada modo pulsando el botón **Return**. Las funciones previstas se describen más adelante en este manual.

PROTECCION RAYO UNICO

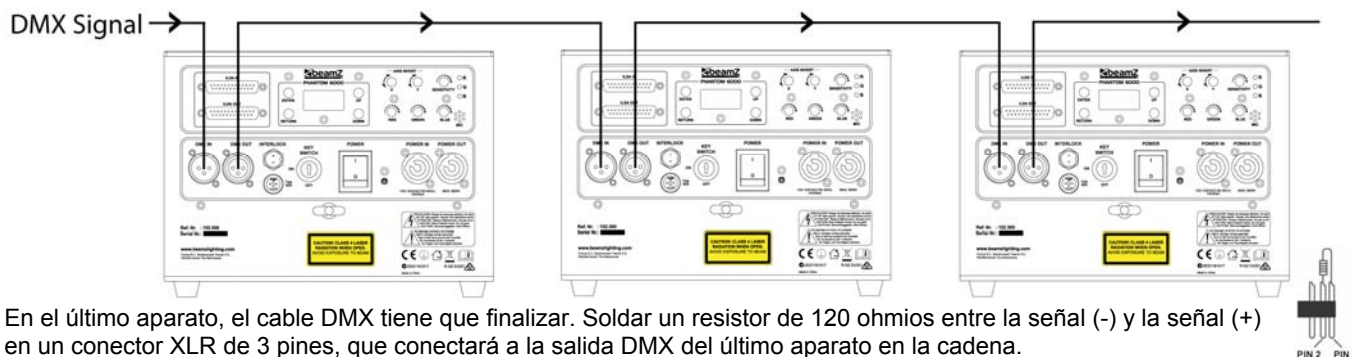
Por motivos de seguridad usted puede desactivar desde el display la opción de rayo unico. Si Rayo único esta activado (ON) los rayos unicos de alta potencia están suprimidos. Pulse OFF para desactivar esta proteccion bajo su responsabilidad.



Esta proteccion solo debe desactivarla un profesional y bajo medidas especiales de seguridad!

CONEXIÓN DMX-512

Si está usando un controlador DMX estándar, puede conectar la salida DMX del controlador directamente con la entrada DMX de la primera unidad de una cadena DMX. Siempre conecte la salida de una unidad con la entrada de la siguiente unidad hasta que se conectan todas las unidades. Si utiliza un controlador con conexión DMX 5 pines, deberá utilizar un adaptador de 5 pines a 3 pines.



En el último aparato, el cable DMX tiene que finalizar. Soldar un resistor de 120 ohmios entre la señal (-) y la señal (+) en un conector XLR de 3 pines, que conectará a la salida DMX del último aparato en la cadena.

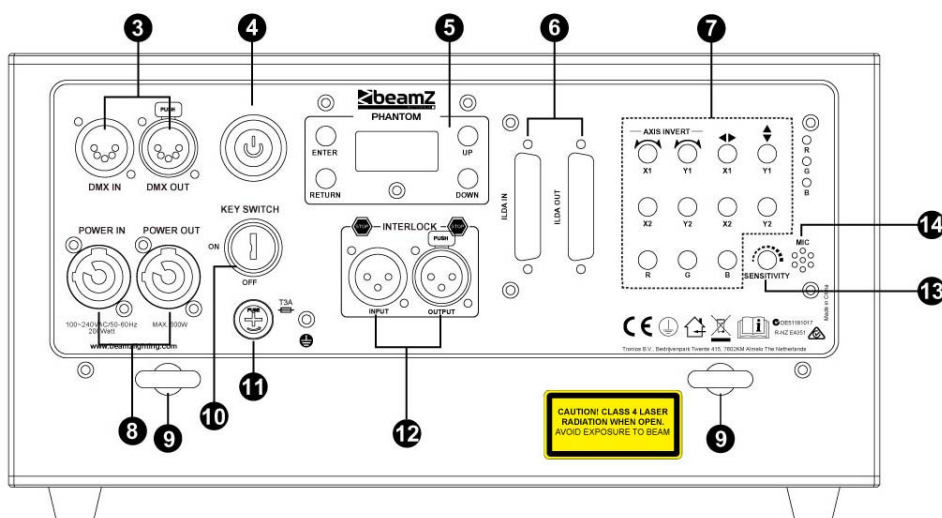
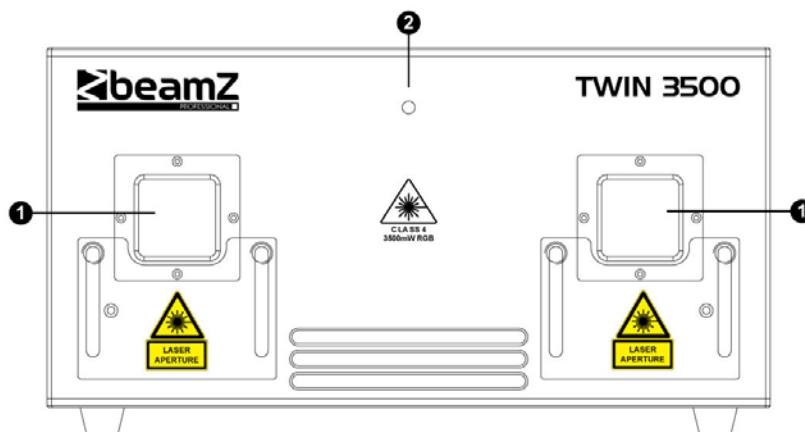
CONTROL ILDA

Este laser puede controlarse desde cualquier ordenador via conexion ILDA con compatibilidad de software y hardware. En el momento de conectar el cable ILDA se activara directamente el modo de control ILDA. Las posibilidades de control ILDA están determinadas por el software utilizado.

Los programas de control de ILDA son varios.

PANEL FRONTAL /TRASERO

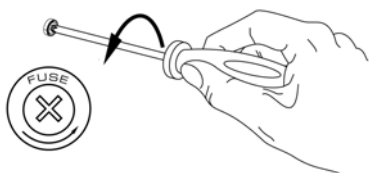
1. Boca del Laser
2. LED Laser
3. DMX In / Out
4. Interruptor general
5. Panel LCD de ajustes
6. DB25 ILDA interface
7. Function knobs
8. Toma de alimentacion
9. Ojo de seguridad
10. Llave de arranque (El Laser solo emite cuando el interlock esta conectado.)
11. Fusible
12. Interlock In-/Out
13. Sensibilidad de sonido
14. Micrófono



CAMBIANDO EL FUSIBLE

Si el fusible está defectuoso, reemplace el fusible por un fusible del mismo tipo y valor. Antes de sustituir el fusible, desconectar de la corriente.

Procedimiento:



- Paso 1: Abra el portafusibles del panel trasero con un destornillador adecuado.
- Paso 2: Retire el fusible viejo del portafusibles.
- Paso 3: Instale el fusible nuevo en el portafusibles.
- Paso 4: Vuelva a colocar el portafusibles en la caja.

LIMPIEZA

La limpieza de lentes y / o espejos internos y externos debe ser llevada a cabo periódicamente para optimizar la salida de luz. La frecuencia de limpieza depende del entorno en el que funcione el aparato: humedad, a humo o especialmente sucios rodea puede causar una mayor acumulación de polvo en las ópticas de la unidad.

- Asegúrese de que el área por debajo del sitio de instalación está libre de personas ajenas durante la reparación.
- Carcasas, fijaciones y puntos de instalación (techos, armaduras, suspensiones) deberán estar totalmente libres de ninguna deformación.
- Los cables de red deberán estar en perfecto estado y deberán reemplazarse inmediatamente cuando se detecta incluso un pequeño problema.
- Para proteger el aparato de sobrecalentamiento, los ventiladores de refrigeración (si las hubiera) y las aberturas de ventilación deberán limpiarse mensualmente.
- El interior del aparato debería ser limpiado anualmente usando una aspiradora o chorro de aire.
- Limpie con un paño suave utilizando un fluido normal de limpieza de cristales.
- Seque siempre las piezas con cuidado.
- Limpie las ópticas externas al menos cada mes. Limpie los elementos ópticos internos al menos cada 30/60 días..

ATENCIÓN: Se recomienda encarecidamente que la limpieza interna sea llevada a cabo por trabajador cualificado!

FRANÇAIS

Nous vous remercions d'avoir acheté un appareil Beamz. Veuillez lire la présente notice avant l'utilisation afin de pouvoir en profiter pleinement.

Veuillez lire la notice avant utilisation. Respectez impérativement les instructions afin de continuer à bénéficier de la garantie. Prenez toutes les précautions nécessaires pour éviter tout incendie ou décharge électrique. Seul un technicien spécialisé peut effectuer les réparations. Nous vous conseillons de conserver la présente notice pour pouvoir vous y reporter ultérieurement.

- Avant d'utiliser l'appareil, prenez conseil auprès d'un spécialiste. Lors de la première mise sous tension, il est possible qu'une odeur soit perceptible. C'est normal, l'odeur disparaîtra peu de temps après.
- L'appareil contient des composants porteurs de tension. N'OUVREZ JAMAIS le boîtier.
- Ne placez pas des objets métalliques ou du liquide sur l'appareil, cela pourrait causer des décharges électriques et dysfonctionnements.
- Ne placez pas l'appareil à proximité de sources de chaleur, par exemple radiateur. Ne positionnez pas l'appareil sur une surface vibrante. N'obtenez pas les ouïes de ventilation.
- L'appareil n'est pas conçu pour une utilisation en continu.
- Faites attention au cordon secteur, il ne doit pas être endommagé.
- Lorsque vous débranchez l'appareil de la prise secteur, tenez-le par la prise, ne tirez jamais sur le cordon.
- Ne branchez pas et ne débranchez pas l'appareil avec les mains mouillées.
- Seul un technicien spécialisé peut remplacer la fiche secteur et / ou le cordon secteur.
- Si l'appareil est endommagé et donc les éléments internes sont visibles, ne branchez pas l'appareil, NE L'ALLUMEZ PAS. Contactez votre revendeur. NE BRANCHEZ PAS l'appareil à un rhéostat ou un dimmer.
- Pour éviter tout risque d'incendie ou de décharge électrique, n'exposez pas l'appareil à la pluie ou à l'humidité.
- Seul un technicien habilité et spécialisé peut effectuer les réparations
- Branchez l'appareil à une prise 220-240 V/50 Hz avec terre, avec un fusible 10-16 A.
- Pendant un orage ou en cas de non utilisation prolongée de l'appareil, débranchez l'appareil du secteur.
- En cas de non utilisation prolongée de l'appareil, de la condensation peut être créée. Avant de l'allumer, laissez l'appareil atteindre la température ambiante. Ne l'utilisez jamais dans des pièces humides ou en extérieur.
- Pendant le fonctionnement, le boîtier est très chaud.
- Ne le touchez pas pendant le fonctionnement et juste après.
- Afin d'éviter tout accident en entreprise, vous devez respecter les conseils et instructions.
- Assurez l'appareil avec une élingue de sécurité s'il doit être monté au plafond. Utilisez un système de crochets. Assurez-vous que personne ne puisse se trouver sous l'appareil. Il doit être monté à 50 cm au moins de tout matériau inflammable et à un mètre au moins de toute surface pour garantir son bon refroidissement.
- Cet appareil contient des LEDs de grande intensité. Ne regardez pas directement les LEDs pour éviter tout troubles de la vision.
- N'allumez pas et n'éteignez pas l'appareil de manière répétée. Cela réduit sa durée de vie.
- Conservez l'appareil hors de la portée des enfants. Ne laissez pas l'appareil sans surveillance.
- N'utilisez pas d'aérosols pour nettoyer les interrupteurs. Les résidus créent des dépôts et de la graisse. En cas de dysfonctionnement, demandez conseil à un spécialiste.
- Ayez toujours les mains propres pour utiliser l'appareil.
- Ne forcez pas les réglages.
- Si l'appareil est tombé, faites-le toujours vérifier par un technicien avant de le rallumer.
- Pour nettoyer l'appareil, n'utilisez pas de produits chimiques qui abîment le revêtement, utilisez uniquement un tissu sec.
- Tenez toujours l'appareil éloigné de tout équipement électrique pouvant causer des interférences.
- Pour toute réparation, il faut impérativement utiliser des pièces d'origine, sinon il y a risque de dommages graves et / ou de radiations dangereuses.
- Eteignez toujours l'appareil avant de le débrancher du secteur et de tout autre appareil. Débranchez tous les cordons avant de déplacer l'appareil.
- Assurez-vous que le cordon secteur n'est pas abîmé si des personnes viennent à marcher dessus. Avant toute utilisation, vérifiez son état.
- La tension d'alimentation est de 220-240 V~/50 Hz. Vérifiez la compatibilité. Si vous voyagez, vérifiez que la tension d'alimentation du pays est compatible avec l'appareil.
- Conservez l'emballage d'origine pour pouvoir transporter l'appareil en toute sécurité.



CE symbole doit attirer l'attention de l'utilisateur sur les tensions élevées présentes dans le boîtier de l'appareil, pouvant engendrer une décharge électrique.



CE symbole doit attirer l'attention de l'utilisateur sur des instructions importantes détaillées dans la notice, elles doivent être lues et respectées.



NE REGARDEZ PAS DIRECTEMENT LA LENTILLE. Cela peut créer des troubles de la vision. Les personnes photosensibles et épileptiques doivent prendre en compte les effets que ce jeu de lumière peut causer.

Cet appareil porte le symbole CE. Il est interdit d'effectuer toute modification sur l'appareil. La certification CE et la garantie deviendraient caduques !

NOTE: Pour un fonctionnement normal de l'appareil, il doit être utilisé en intérieur avec une plage de température maximale autorisée entre 5°C/41°F et 35°C/95°F.



Ne jetez pas les produits électriques dans la poubelle domestique. Déposez-les dans une déchetterie. Demandez conseil aux autorités locales ou à votre revendeur. Données spécifiques. Les valeurs actuelles peuvent légèrement varier d'un appareil à l'autre. Tout droit de modification réservé sans notification préalable.

N'essayez pas de réparer l'appareil vous-même. Vous perdriez tout droit à la garantie. Ne faites aucune modification sur l'appareil. Vous perdriez tout droit à la garantie. La garantie deviendrait également caduque en cas d'accidents ou dommages causés par une utilisation inappropriée de l'appareil ou un non respect des consignes présentes dans cette notice. Beamz ne pourrait être tenu responsable en cas de dommages matériels ou corporels causés par un non respect des consignes de sécurité et avertissements. Cela est également valable pour tous les dommages quelle que soit la forme.

SECURITE LASER



Lisez impérativement les avertissements suivants sur la sécurité des lasers et les caractéristiques techniques.



La lumière des lasers est différente de toute autre source de lumière qui vous est familière. La lumière générée par cet appareil peut causer des dommages oculaires si l'appareil n'est pas correctement installé et utilisé. La lumière d'un laser est des milliers de fois plus concentrée que la lumière produite par toute autre source. Cette concentration de puissance peut causer de manière instantanée des blessures des yeux en brûlant la rétine. Si vous ne pouvez pas sentir la "chaleur" d'un faisceau laser, il peut cependant causer des blessures ou aveugler le public. Même de petites quantités de lumière laser sont potentiellement dangereuses à de grandes distances. Les blessures causées par des lasers peuvent survenir plus vite qu'un simple clignement des yeux.

Il est faux de croire qu'un rayon individuel venant d'une centaine de rayons laser, n'est pas dangereux pour les yeux.

Il est faux de croire que regarder un faisceau mobile n'est pas dangereux. Dans les réglementations en vigueur sur la sécurité des lasers, il est interdit de diriger les lasers de classe 3B/4 dans des zones où des personnes peuvent être exposées, par exemple sur une piste de danse.

Attention :

- Ne pointez pas de faisceau laser vers les hommes ou animaux. Ne regardez pas dans l'ouverture du laser ou les rayons laser, cela peut causer des blessures instantanées ou une cécité si la lumière laser touche directement les yeux.
- Ne pointez pas les faisceaux laser dans des zones où des personnes peuvent être exposées.
- Installez le laser de telle sorte que les faisceaux se déplacent au-dessus du public. Voir point spécifique dans la notice.
- Testez toujours le laser avant l'utilisation et hors de présence du public.
- Ne pointez pas les faisceaux laser vers des surfaces réfléchissantes telles que fenêtres, miroirs, pièces métalliques. Même des réflexions de faisceau laser sont dangereuses.
- Ne pointez pas de faisceau laser vers un avion, c'est illégal et passible de sanctions.
- L'utilisation des réglages ou les performances autres que ceux définis dans la notice peuvent engendrer une exposition dangereuse aux rayonnements.
- N'exposez pas l'ouverture du laser à des produits chimiques de nettoyage.
- Le fonctionnement du laser n'est autorisé que si le show est contrôlé par un technicien formé, compétent et connaissant les réglementations.
- N'utilisez pas le laser si le boîtier est endommagé ou ouvert ou si l'optique semble endommagée.
- Ne laissez pas l'appareil fonctionner sans surveillance.
- Utilisez toujours des élingues adaptées lorsque l'appareil est suspendu

La législation sur l'utilisation de lasers de loisirs varie selon les pays. L'utilisateur est responsable vis à vis des réglementations en vigueur dans le pays d'utilisation.



Cet appareil contient des composants laser de grande puissance et des éléments émettant des rayonnements. Donc, N'OUVREZ PAS le boîtier, CELA PEUT ETRE FATAL. Cela peut également causer une cécité, des brûlures de la peau et des incendies.

Les blessures causées par des lasers peuvent survenir plus vite qu'un simple clignement des yeux.

Vous trouverez d'autres réglementations et programmes de sécurité sur l'utilisation des lasers sur le site www.Laserinstitute.org dans la réglementation ANSI Z136.1 Standard "For Safe Use of Lasers". De nombreux gouvernements, agences, organismes militaires ou autres imposent que les lasers soient utilisés selon les directives de l'ANSI Z136.1. Vous pouvez obtenir le guide d'utilisation des lasers "Laser Display guidance" via l'International Laser Display Association, www.laserist.org.



Attention! L'utilisation en France est autorisée à l'utilisateur professionnel et non le consommateur. Consultez décret: www.legifrance.gouv.fr

Pour des questions de sécurité, la législation française interdit l'utilisation de lasers de classe supérieure à 2 en dehors d'une liste d'usages spécifiques autorisés (une nouvelle réglementation à partir du 1er juillet 2013).



LASER LIFETIME

Suivez les conseils ci-dessous pour profiter d'une plus longue durée de vie du laser :

- La commutation rapide Marche / Arrêt de cet appareil va considérablement réduire la durée de la diode laser.
- Veillez à ce que l'appareil ne soit pas en surchauffe.
 - Eteignez l'appareil si vous ne vous en servez pas. Les diodes sont allumées et peuvent s'user même s'il n'y a pas de sortie laser visible.
 - Eteignez l'appareil après une heure, laissez le laser refroidir pendant 15 minutes.
 - Assurez-vous que les ventilateurs et ouïes de ventilation soient bien propres et sans aucune poussière.

LASER
LIFE TIME 

INSTALLATION

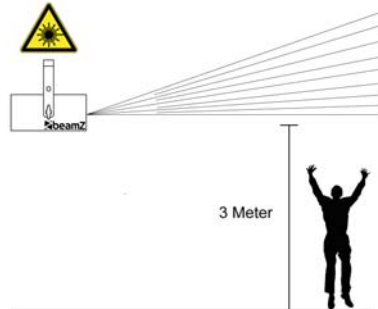


ATTENTION : Lors de l'installation, tenez compte des normes nationales respectives ! Seuls des revendeurs et installateurs habilités peuvent procéder à l'installation.



Cet appareil est prévu pour être suspendu. Pour des raisons évidentes de sécurité, il faut utiliser, pour un montage correct, une élingue de sécurité et un crochet. N'hésitez pas à contacter votre revendeur pour acquérir les différents accessoires de montage indispensables.

La législation internationale en matière de lasers, exige que les lasers soient utilisés avec une distance minimale de 3 mètres entre le sol et le faisceau laser le plus bas. Voir dessin ci-dessous. De plus, une séparation horizontale de 2,5 m est nécessaires entre le faisceau laser et le public ou tout autre espace public.

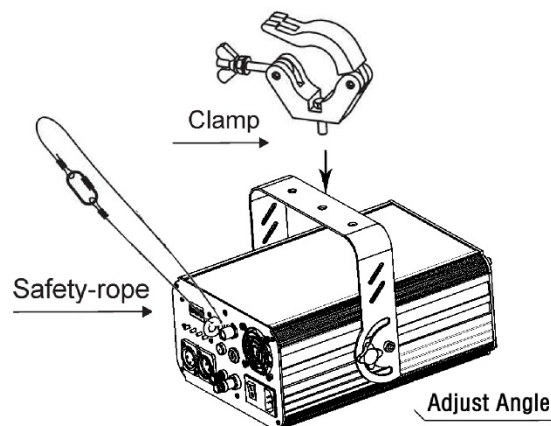


ATTENTION : Une utilisation des commandes, réglages ou une gestion des procédures autres que celles décrites ici peuvent engendrer une exposition dangereuse aux rayons.

- L'installation de l'appareil doit être pensée et réalisée de telle sorte que le support de fixation puisse supporter 10 fois le poids de l'appareil pendant une heure sans aucune déformation.
- Utilisez toujours l'étrier livré pour suspendre l'appareil.
- L'appareil doit être soutenu par un étrier de montage (non livré) en plus de l'étrier livré.
- L'installation doit toujours être assurée par un second système de fixation, par exemple un filet ou une élingue. Ce second système doit être conçu de telle sorte que aucun élément de l'installation ne puisse tomber si la fixation principale venait à rompre.
- Assurez-vous que la zone sous l'emplacement de montage ne puisse pas accueillir de public pendant le montage, le démontage et l'utilisation.
- Le responsable du fonctionnement doit faire approuver par un expert les conditions d'installation et d'utilisation de l'appareil avant la première mise en service et après tout changement.
- Le responsable du fonctionnement doit faire approuver par un expert les conditions d'installation et d'utilisation de l'appareil, une fois par an.
- L'appareil doit être installé de telle sorte que personne ne puisse l'atteindre, passer dessous ou être assis.



ATTENTION : Lorsque vous installez l'appareil, assurez-vous qu'il n'y a aucun matériau fortement inflammable (décorations par exemple) à 5 mètres au moins de l'appareil.



DEBALLAGE

ATTENTION ! Immédiatement après réception, vérifiez le contenu du carton et assurez-vous que tous les éléments sont bien présents et en bon état. Si besoin, faites les réserves nécessaires si le matériel ou les cartons sont endommagés. Si l'appareil doit être retourné, faites-le dans l'emballage d'origine.

Si l'appareil a été exposé à des fluctuations importantes de températures (par exemple après le transport), ne l'allumez pas immédiatement. De la condensation peut survenir. Laissez l'appareil éteint le temps qu'il atteigne la température ambiante.

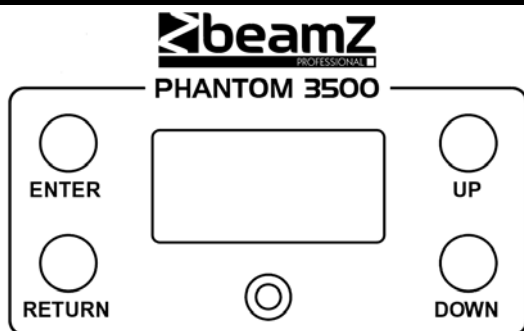
ALIMENTATION

Vous trouvez sur l'étiquette à l'arrière de l'appareil, le type d'alimentation à utiliser. Vérifiez que la tension d'alimentation corresponde à celle mentionnée. Toute autre alimentation peut endommager l'appareil. Reliez l'appareil au secteur, il est prêt à être utilisé. En aucun cas, vous ne devez utiliser de dimmer ou d'alimentation réglable.



Connectez toujours l'appareil à un circuit protégé (disjoncteur ou fusible). Assurez-vous que l'appareil soit correctement relié à la terre afin d'éviter tout risque d'électrocution ou d'incendie.

AFFICHAGE



Le panneau de commande vous permet d'effectuer différents réglages : réglage de l'adresse de démarrage, gestion d'un programme pré-programmé, lancer un Reset. Le menu principal est accessible en appuyant sur la touche **Return**, vous pouvez naviguer dans le sous-menu avec la touche **Up** ou **Down**.

Appuyez sur la touche **Enter** pour choisir le menu souhaité.

Vous pouvez modifier la sélection en appuyant sur la touche **Up** ou **Down**. Confirmez la sélection en appuyant sur la touche **Enter**.

Vous pouvez quitter un mode en appuyant sur la touche **Return**. Les fonctions fournies sont décrits plus loin dans ce manuel.

PROTECTION FAISCEAU LASER UNIQUE

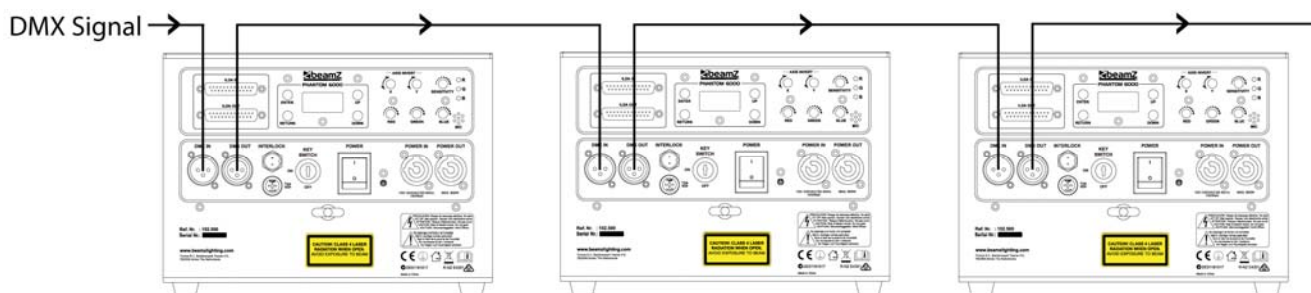
Pour des raisons de sécurité, vous pouvez activer la protection One Beam et la désactiver via l'affichage. Si la fonction est activée (ON), les faisceaux uniques à très haute précision sont supprimés. Pour désactiver la fonction, commutez sur OFF.



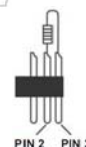
Cette fonction ne doit être désactivée que par un utilisateur habilité, une fois toutes les consignes de sécurité vérifiées et respectées!

BRANCHEMENT DMX-512

Si vous utilisez un contrôleur DMX classique, vous pouvez relier la sortie DMX du contrôleur directement à l'entrée DMX du premier appareil dans une chaîne DMX. Reliez toujours la sortie d'un appareil à l'entrée de l'appareil suivant jusqu'à ce que tous les appareils soient reliés. Si vous utilisez un contrôleur avec connexion DMX 5 pôles, vous devez utiliser un adaptateur 5 pôles / 3 pôles.



Sur le dernier appareil, le cordon DMX doit être terminé par un bouchon. Soudez une résistance 120 ohms entre signal (-) et signal (+) sur une prise XLR 3 pôles et branchez-la à la sortie DMX du dernier appareil de la chaîne.



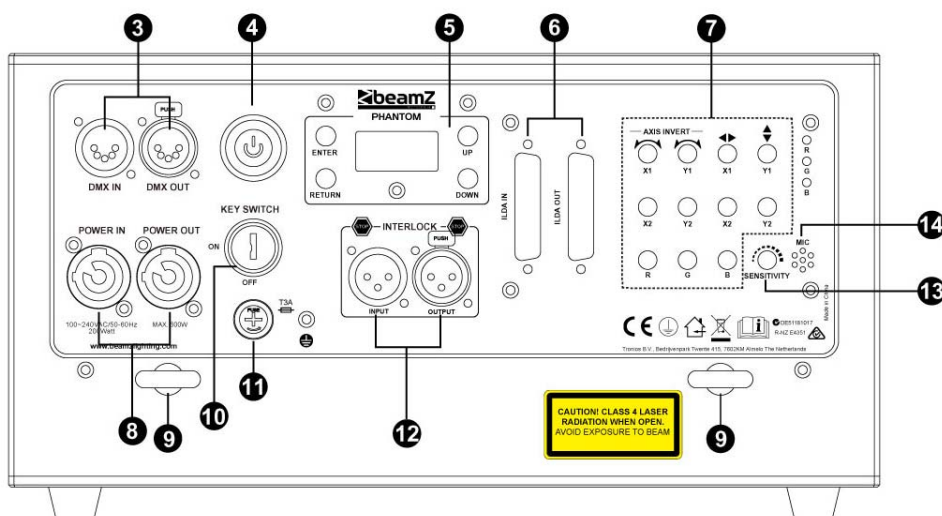
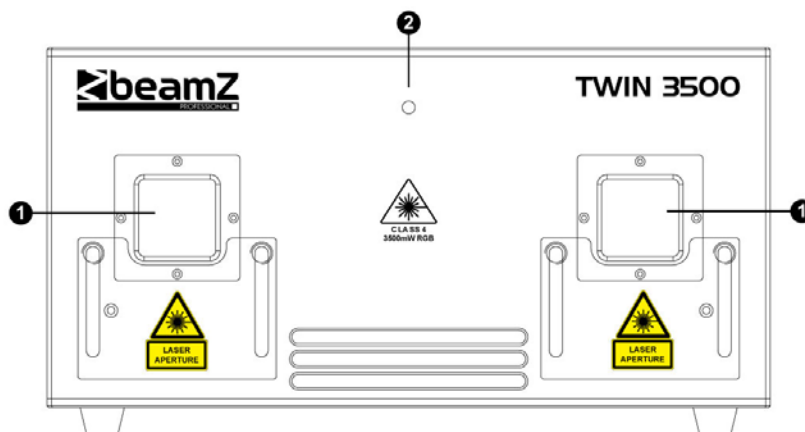
GESTION ILDA

Ce laser peut être géré par tout PC doté d'un logiciel compatible ILDA + hardware. Dès que l'entrée ILDA du laser est branchée à un contrôleur compatible ILDA, l'appareil commute automatiquement sur le mode ILDA. A partir de ce moment, le laser est entièrement géré par le logiciel ILDA : les possibilités du logiciel ILDA définissent ce que vous pouvez faire ou pas.

Le logiciel et le Hardware ILDA sont disponibles chez plusieurs fournisseurs.

FACES AVANT ET ARRIERE

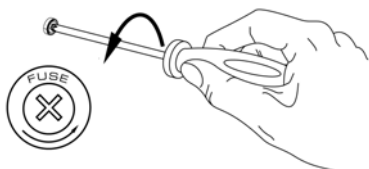
1. Ouverture laser
2. LED d'émission de faisceau laser
3. DMX In / Out
4. Interrupteur On/Off
5. Affichage panneau de commande
6. DB25 ILDA interface
7. Boutons de fonction
8. Entrée / Sortie Power
9. Oeil de sécurité
10. Interrupteur à clé (la sortie laser n'est disponible que si l'interlock est branché)
11. Fusible
12. Interlock In / Out
13. Réglage sensibilité audio
14. Microphone pour gestion audio



REPLACEMENT DU FUSIBLE

Si le fusible est défectueux, il faut le remplacer par un fusible de même type et de même valeur. Avant de le remplacer, veillez à débrancher l'appareil.

Procédure:



- Etape 1: Ouvrez le porte-fusible sur le panneau arrière avec un petit tournevis.
- Etape 2: Retirez l'ancien fusible.
- Etape 3: Placez le nouveau fusible dans le porte-fusible.
- Etape 4: Remettez le porte-fusible dans le boîtier.

NETTOYAGE

Le nettoyage des lentilles optiques internes et externes et / ou miroirs doit être fait régulièrement pour un rendu lumineux optimal. La fréquence de nettoyage dépend de l'environnement d'utilisation : de la poussière, fumée ou un environnement très sale peuvent générer une accumulation importante de salissures sur les optiques.

- Assurez-vous que personne ne se trouve sous l'emplacement d'installation pendant le nettoyage.
- Les boîtiers, fixations et éléments d'installation (plafond, structures, suspensions) ne doivent présenter aucune déformation.
- Le cordon secteur ne doit pas présenter de dommage ; si un problème est détecté, il doit être immédiatement être remplacé.
- Pour protéger l'appareil de toute surchauffe, les ventilateurs et ouïes d'aération doivent être nettoyés tous les mois.
- L'intérieur de l'appareil doit être nettoyé tous les ans avec un compresseur.
- Pour le nettoyage, utilisez un tissu doux et du liquide de nettoyage pour vitres usuel.
- Séchez correctement tous les éléments.
- Nettoyez les optiques externes tous les mois au moins. Nettoyez les optiques internes tous les 30 à 60 jours au moins.

ATTENTION : Nous recommandons fortement que le nettoyage intérieur soit fait par un technicien qualifié.

Gratulujemy zakupu urządzenia marki BeamZ. Proszę o przeczytanie instrukcji przed użyciem urządzenia, aby jak najlepiej móc wykorzystać jego możliwości.

Przeczytaj tę instrukcję przed pierwszym użyciem urządzenia. Postępuj zgodnie z instrukcją, aby nie utracić gwarancji. Zwróć uwagę na wszystkie ostrzeżenia, aby uniknąć pożaru lub/ oraz porażenia prądem. Naprawy mogą być przeprowadzane jedynie przez autoryzowany serwis. Zatrzymaj tę instrukcję na wypadek potrzeby w przyszłości.

- Przed użyciem skonsultuj się ze specjalistą. Podczas pierwszego użycia urządzenie może wydzielić specyficzny zapach. To zupełnie normalne, zniknie po chwili.
- Urządzenie posiada podzespoły przewodzące prąd. Nie otwieraj obudowy urządzenia.
- Nie umieszczaj metalowych obiektów ani płynów w urządzeniu. Może to spowodować porażenie prądem lub uszkodzenie sprzętu.
- Nie umieszczaj w pobliżu takich źródeł ciepła jak grzejniki itd. Nie umieszczaj urządzenia na wibrującej powierzchni. Nie zasłaniaj kanałów wentylacyjnych.
- Urządzenie nie jest przeznaczone do ciągłej pracy.
- Pamiętaj, aby nie uszkodzić przewodu zasilającego. Uszkodzony przewód zasilający może spowodować porażenie prądem lub uszkodzenie sprzętu.
- Podczas wyjmowania wtyczki z gniazdka zawsze ciągnij za wtyczkę, nie za kabel.
- Nie wtykaj kabla mając mokre dłonie.
- Jeśli wtyczka lub/oraz kabel zasilający jest uszkodzony, musi być wymieniony przez wykwalifikowaną osobę.
- Jeśli urządzenie jest uszkodzone na tyle, że widoczne są części wewnętrzne, nie podłączaj sprzętu do gniazdka, ani go nie uruchamiaj. Skontaktuj się z dystrybutorem. Nie podłączaj urządzenia do opornika bądź dimmera.
- Aby uniknąć porażenia prądem, nie wystawiaj urządzenia na działanie warunków atmosferycznych ani na wilgoć.
- Sprzęt może być naprawiany tylko w autoryzowanym serwisie.
- Podłączaj urządzenie do uziemionego źródła zasilania (220-240Vac/50Hz) z bezpiecznikiem 10-16A.
- Podczas burzy lub w sytuacjach, gdy urządzenie nie jest używane przez dłuższy czas, odłącz je od gniazdka. Zasada brzmi: odłącz sprzęt od gniazdka, gdy go nie używasz.
- Jeśli urządzenie nie było używane przez dłuższy czas, może wystąpić kondensacja. Pozwól na to, aby sprzęt osiągnął temperaturę pokojową. Nigdy nie używaj w wilgotnych pomieszczeniach, bądź na zewnątrz.
- Podczas użytkowania znacznie wzrasta temperatura obudowy. Nie dotykaj jej w czasie pracy, bądź natychmiast po wyłączeniu urządzenia.
- Aby uniknąć wypadków w pracy, wykonuj polecenia zawarte w tej instrukcji.
- Zabezpiecz urządzenie dodatkowym łańcuchem bezpieczeństwa. Używaj wysokiej jakości haków. Upewnij się, że nikt nie stoi w pobliżu okolicy montażu. Montuj sprzęt w odległości co najmniej 50cm od materiałów łatwopalnych i zachowuj co najmniej 1m wolnej przestrzeni z każdej strony, aby zapewnić odpowiednie chłodzenie
- Urządzenie posiada diody LED wysokiej mocy. Nie patrz bezpośrednio na diody, aby nie uszkodzić wzroku.
- Nie włączaj i wyłączaj urządzenia co chwilę. Skraca to jego żywotność.
- Trzymaj z dala od dzieci. Nie zostawiaj sprzętu bez opieki.
- Nie używaj spray'ów do czyszczenia przełączników. To powoduje osiadanie się kurzu oraz tłuszczu. W przypadku usterki zasięgnij rady u specjalisty. Obsługuj urządzenie mając czyste ręce.
- Nie naciskaj przycisków z zbyt dużą siłą.
- Jeśli urządzenie upadnie, przed kolejnym włączeniem zawsze musi być sprawdzone przez wykwalifikowanego technika.
- Nie używaj chemikaliów do czyszczenia obudowy. Niszczą one lakier. Dokonuj czyszczenia za pomocą suchej szmatki.
- Trzymaj z dala od innej elektroniki, która może spowodować zakłócenia.
- Podczas serwisu używaj tylko oryginalnych części. W innym przypadku może nastąpić poważne uszkodzenie sprzętu, lub niebezpieczne promieniowanie.
- Wyłącz urządzenie przed wyciągnięciem kabla zasilającego. Odłącz wszystkie kable przed przenoszeniem sprzętu.
- Upewnij się, że nikt nie uszkodzi kabla zasilającego. Sprawdź przed każdym użyciem, czy kabel zasilający nie nosi znamion uszkodzenia.
- Urządzenie może pracować przy napięciu 220-240Vac/50Hz. Jeśli podróżujesz ze sprzętem, sprawdź, czy możesz je bezpiecznie podłączyć do prądu.
- Zachowaj oryginalny karton, aby móc transportować urządzenie w bezpiecznych warunkach.



Ten znak zwraca uwagę użytkownika na wysokie napięcie, które jest obecne w środku obudowy urządzenia. Napięcie jest wystarczające, aby porazić użytkownika.



Ten znak zwraca uwagę użytkownika do ważnych informacji, które znajdują się w instrukcji. Informacje te powinny być przeczytane oraz uwzględnione w codziennym użytkowaniu.



NIE PATRZ BEZPOŚREDNIO NA SOCZEWKĘ. Może to spowodować uszkodzenie wzroku. Stroboskop może spowodować atak epilepsji!

Urządzenie posiada certyfikat CE. **Nie wolno** wprowadzać żadnych zmian w urządzeniu. Każda modyfikacja sprzętu spowoduje utratę certyfikatu CE oraz gwarancji!

UWAGA: Urządzenie może funkcjonować w pomieszczeniach o temperaturze pomiędzy 5°C/41°F oraz 35°C/95°F.



WAŻNA INFORMACJA: Urządzenia elektryczne muszą być składowane w miejscach do tego przeznaczonych. Sprawdź, gdzie w Twojej okolicy znajduje się najbliższe centrum recyklingu. Specyfikacja techniczna poszczególnych urządzeniach może się nieznacznie różnić. Specyfikacja może ulec zmian bez powiadomień.

Nie próbuj dokonywać żadnych napraw samodzielnie, to spowoduje unieważnienie gwarancji. Gwarancja nie dotyczy uszkodzeń spowodowanych niewłaściwym użytkowaniem sprzętu, niezgodnie z instrukcją. Beamz nie jest odpowiedzialny za uszczerbek na zdrowiu oraz kontuzje spowodowane niestosowaniem się do zaleceń bezpieczeństwa. Dotyczy to wszelakich uszkodzeń.

UWAGA! URZĄDZENIE LASEROWE



Read for the commissioning of the laser all safety instructions and technical data of this manual carefully and thoroughly.



Światło laserowe jest inne niż wszystkie Ci znane źródła światła. Jego promieniowanie może potencjalnie uszkodzić Twój wzrok, jeśli nie będzie poprawnie ustawione oraz użytkowane. Światło laserowe jest tysiące razy bardziej skupione niż jakiegokolwiek inne źródło światła. Skupiona wiązka laserowa może spowodować natychmiastowe uszkodzenie oczu, przede wszystkim wypalając siatkówkę (czuła na światło tylna część oka). Nawet jeśli nie czujesz żadnego ciepła z powodu wiązki laserowej, ona nadal może wyrządzić poważne szkody Twoim oczom, oślepić Cię lub publiczność. Nawet niewielka ilość światła laserowego na dużym dystansie jest niebezpieczna. Uszkodzenie wzroku może nastąpić w mgnieniu oka.

Nie można zakładać, że pojedyncza wiązka spośród setek wiązek nie może źle wpłynąć na oczy.

Nie można także zakładać, że można patrzeć na ruszającą się wiązkę. W odpowiednich regulacjach prawnych dotyczących laserów, zabronione jest celowanie laserem klasy 3B/4 w miejsce, w których ludzie mogą być narażeni na jego promieniowanie.

Ostrzeżenie:

- Nie celuj laserem w ludzi ani w zwierzęta.
- Nigdy nie patrz wprost w aparaturę laserową lub w wiązkę laserową. Może to uszkodzić Twój wzrok lub spowodować zupełną ślepotę.
- Nie celuj laserem w miejsce, w którym może on natrafić na ludzi, np. parkiety.
- Zainstaluj urządzenie laserowe, tak aby wiązka poruszała się nad widownią. Zerknij do następnej sekcji tej instrukcji obsługi.
- Sprawdź urządzenie laserowe przed pierwszym publicznym użyciem.
- Nie celuj laserem w publiczność albo miejsca odbijające światło, takie jak okna, lustra lub błyszczące metale. Nawet odbita wiązka laserowa może być niebezpieczna.
- Nigdy nie celuj w samolot/pilota, to wykroczenie/ przestępstwo.
- Używanie sprzętu, jego ustawień w inny sposób niż specyfikowano tutaj może spowodować narażenie na niebezpieczne promieniowanie.
- Nie wystawiaj aparatury optycznej na działanie środków chemicznych.
- Użytkowanie laser jest dozwolone tylko, jeśli pokaz jest kontrolowany przez wykwalifikowanego operatora, zaznajomionego z odpowiednimi wymaganiami.
- Nie używaj lasera, jeśli obudowa jest uszkodzona, otwarta lub jeśli optyka wygląda na uszkodzoną.
- Nigdy nie zostawiaj urządzenia działającego bez opieki.
- Zawsze używaj odpowiednich linek bezpieczeństwa podczas wieszania urządzenia nad głową.

Lokalne regulacje dotyczące użytkowania laserów zależy od kraju. Użytkownik jest odpowiedzialny za użytkowanie urządzenia w danym państwie.



To urządzenie zawiera laser wysokiej mocy oraz części, które emitują promieniowanie. NIE OTWIERAJ obudowy, TO MOŻE BYĆ FATALNE W SKUTKACH. Może to także spowodować ślepotę, poparzenia skóry oraz pożary.

Uszkodzenie wzroku może nastąpić w mgnieniu oka!

Dalsze instrukcje oraz programy bezpieczeństwa dotyczące bezpiecznego użytkowania laserów są dostępne w dokumencie ANSI Z136.1 Standard „For Safe Use of Lasers”, dostępny na „www.laserinstitute.org”. Wiele lokalnych władz, korporacji, agencji, instytucji wojskowych wymaga, aby użytkowanie laserów następowało według instrukcji z ANSI Z136.1. Poradniki dotyczące urządzeń laserowych mogą być pobrane ze strony International Laser Display Association, www.laserist.org.



Uwaga! Użytkowanie urządzenia we Francji jest dozwolone jedynie profesjonalistom, zabronione jest korzystanie ze sprzętu użytkownikom końcowym. Zobacz regulację prawną: www.legifrance.gouv.fr



LASEROWY CZAS ŻYCIA

Wykonaj poniższe porady, aby cieszyć się dłuższą żywotnością lasera:

- Szybkie i ciągłe włączanie/wyłączanie urządzenia radykalnie zmniejsza trwałość diod lasera.
- Upewnij się, że urządzenie się nie przegrzewa.
 - Wyłącz urządzenie kiedy nie pracuje. Diody potrafią się cały czas grzać nawet jeśli laser nie świeci, a jest włączony.
 - Wyłącz urządzenie po 1 godzinie pracy i zostaw laser żeby się chłodził przez 15 min.
 - Upewnij się, że wiatraczek chłodzący oraz radiator nie są zakurzone lub zabrudzone.

LASER
LIFE TIME 

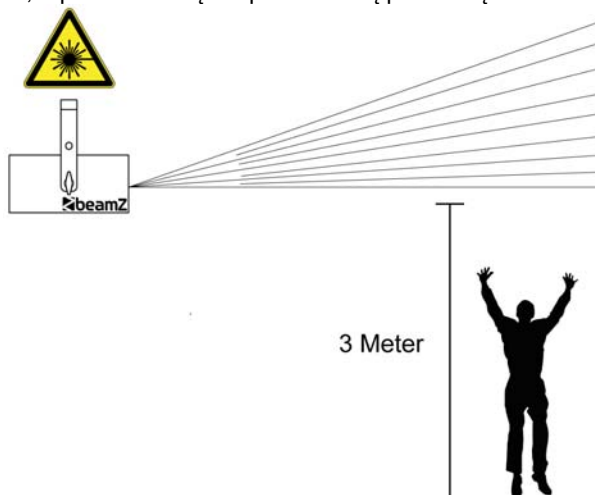
INSTALACJA



UWAGA: Respektuj krajowe normy podczas instalacji urządzenia!
Instalacja może być przeprowadzona tylko przez wykwalifikowanego pracownika, bądź dealera.



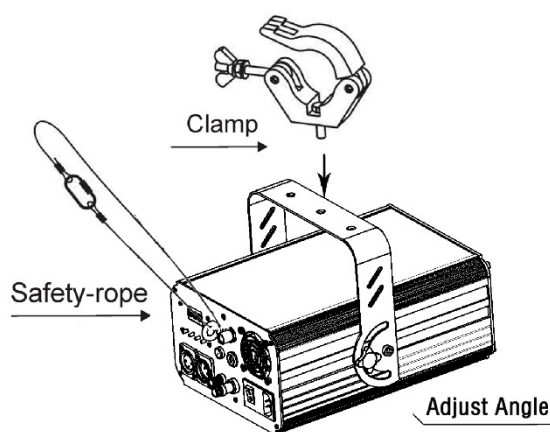
Urządzenie zostało zaprojektowane do pozycji wiszącej. W celu bezpieczeństwa rekomenduje się używania dedykowanych haków oraz linek bezpieczeństwa. Tego typu akcesoria możesz nabyć u Twojego sprzedawcy. Międzynarodowe regulacje dotyczące użytkowania laserów wymagają wieszania urządzeń w taki sam sposób, jak na załączonym obrazku. Minimum 3m przestrzeni pomiędzy podłogą, a najniższą wysokością świecenia lasera w poziomie. Dodatkowo wymagana jest odległość co najmniej 2,5m pomiędzy urządzeniem, a publicznością lub przestrzenią publiczną.



- Instalacja urządzenia powinna być przeprowadzona na konstrukcji, która jest w stanie utrzymać 10-krotność wagi sprzętu przez godzinę bez żadnych deformacji.
- Instalacja musi być zawsze dodatkowo zabezpieczona, np. linką bezpieczeństwa. Dodatkowe zabezpieczenie musi być skonstruowane w taki sposób, że żaden element instalacji nie spadnie w przypadku awarii głównego zabezpieczenia.
- Upewnij się, że przestrzeń pod instalacją jest wolna od osób postronnych podczas montażu, demontażu oraz serwisu.
- Operator musi się upewnić, że wszelkie instalacje są zaakceptowane przez eksperta przez użytkownikiem sprzętu. Takie instalacje muszą być kontrolowane co najmniej raz na rok.
- Urządzenie powinno być zamontowane w miejscu niedostępnym dla osób postronnych.



UWAGA: Podczas instalacji urządzenia upewnij się, że w pobliżu (0,5m od urządzenia) nie znajdują się materiały łatwopalne (np. dekoracje).



INSTRUKCJA ROZPAKOWYWANIA

OSTRZEŻENIE! Natychmiast po odbiorze urządzenia, ostrożnie otwórz karton ochronny, oraz sprawdź zawartość i stan techniczny przedmiotu. Niezwłocznie powiadom kuriera oraz zachowaj opakowanie zewnętrzne do kontroli, jeśli jakkolwiek element zawartości wygląda na zniszczony w transporcie lub nosi objawy złego traktowania paczki. W takim wypadku należy niezwłocznie odesłać sprzęt do producenta. Sprzęt należy wysłać w oryginalnym opakowaniu.

Jeśli urządzenie było wystawione na działanie niskich temperatur (np. podczas transportu), nie uruchamiaj go od razu. Powstające zjawisko kondensacji wody może uszkodzić urządzenie. Pozostaw urządzenie wyłączone, dopóki nie osiągnie temperatury pokojowej.

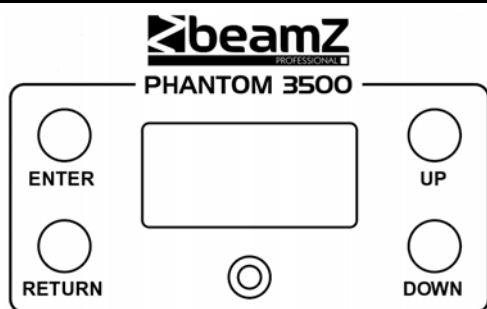
ZASILANIE

Na naklejce z tyłu urządzenia znajduje się oznaczenie dotyczące rodzaju zasilania. Sprawdź, czy napięcie w gniazdku zgadza się z wymaganym przez producenta. Złe napięcie może spowodować nienaprawialne uszkodzenie urządzenia.



Zawsze podłączaj urządzenie do zabezpieczonego obwodu elektrycznego (za pomocą bezpiecznika lub wyłącznika instalacyjnego). Upewnij się, że urządzenie jest uziemione, aby uniknąć pożaru lub śmiertelnego porażenia prądem.

WYŚWIETLACZ



Panel sterowania oferuje kilka funkcjonalności: możesz łatwo ustawić adresowanie DMX, włączyć gotowe programy lub zresetować urządzenie. Menu główne jest dostępne po naciśnięciu przycisku **Return**. Możesz się poruszać w menu za pomocą przycisków **Up** oraz **Down**.

Naciśnij **Enter**, aby wybrać pożądany tryb.

Możesz zmienić wybór naciskając **Up** oraz **Down**. Potwierdź każdorazowo nowy wybór naciskając **Enter**.

Możesz opuścić tryb naciskając **Return**. Funkcje urządzenia są opisane w dalszej części instrukcji.

OCHRONA PRZED WIĄZKĄ LASEROWĄ

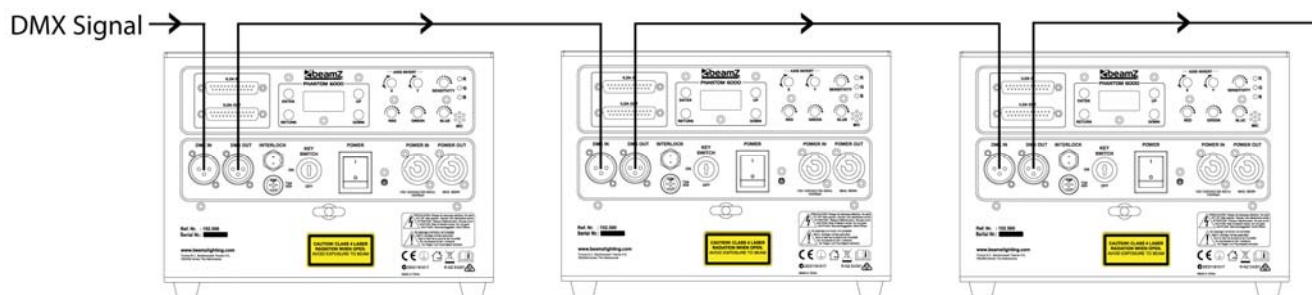
W celu bezpieczeństwa możesz włączyć lub wyłączyć ochronę przed skupioną pojedynczą wiązką laserową (One Beam). Jeśli One Beam jest aktywny (ON), mocno skupione wiązki są osłabione. Jeśli chcesz wyłączyć ochronę, ustaw opcję OFF.



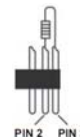
Ta funkcja powinna być wyłączona tylko przez wykwalifikowaną osobę po przeprowadzeniu procedur bezpieczeństwa.

POŁĄCZENIE DMX512

Jeśli używasz standardowego sterownika DMX, możesz podłączyć go kablem DMX do pierwszego urządzenia zgodnego ze standardem DMX w łańcuchu. Podłączaj kolejne urządzenia zgodnie ze schematem zamieszczonym poniżej. Jeśli korzystasz ze sterownika wyposażonego w 5-pinowe gniazdo DMX, będziesz potrzebował odpowiedniego adaptera.



Na końcu ostatniego urządzenia należy wpiąć terminator DMX. Jest to niewielkie urządzenie wyglądające jak wtyk XLR, w którym piny 2 oraz 3 są połączone ze sobą oraz opornikiem 120 Ohm.



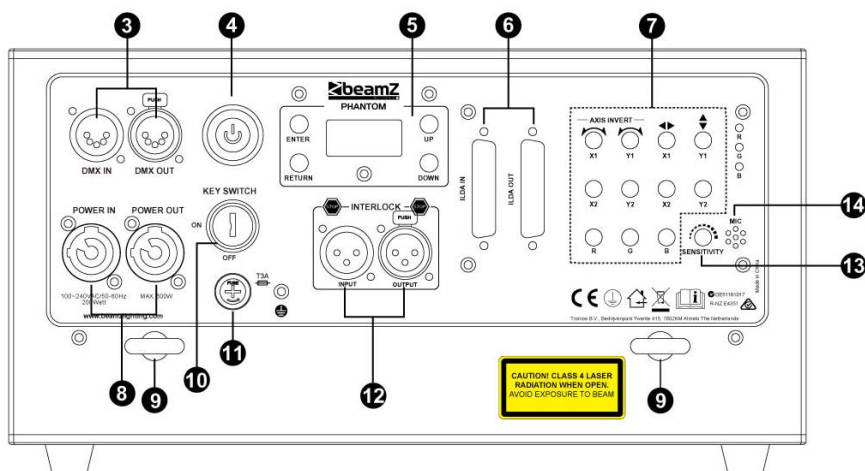
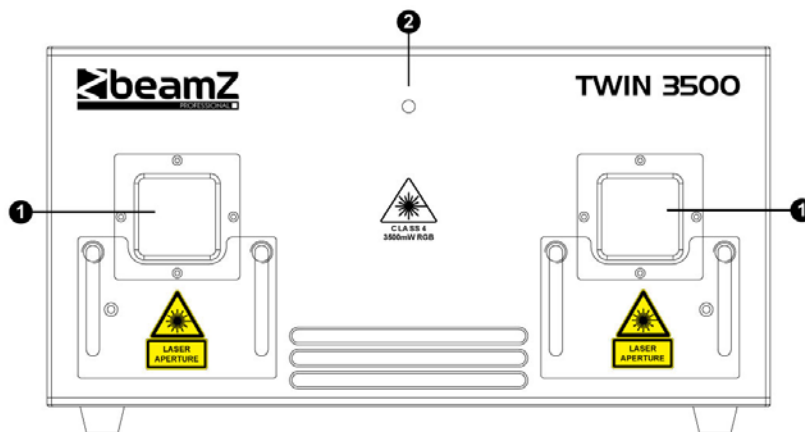
STEROWANIE ZA POMOCĄ INTERFEJSU ILDA

Ten laser może być kontrolowany przez PC przy pomocy interfejsu i oprogramowania ILDA. Urządzenie po podłączeniu do interfejsu przechodzi automatycznie w tryb sterowania ILDA. Od tej pory laser będzie kontrolowany za pomocą oprogramowania ILDA. Jesteś ograniczony jedynie możliwościami programu.

Oprogramowanie i urządzenia ILDA są dostępne u kilku niezależnych dostawców.

PRZEDNI I TYLNY PANEL

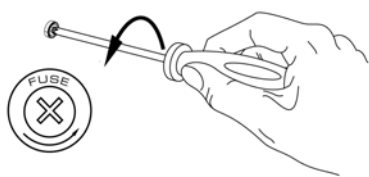
1. Okno lasera
2. Dioda sygnalizująca emisję wiązki laserowej
3. Wejście/wyjście DMX XLR 5-pin
4. Włącznik zasilania
5. Panel sterowania z wyświetlaczem LCD
6. Interfejs DB25 ILDA
7. Przyciski/pokręta funkcyjne
8. Gniazdo zasilania wejście/wyjście
9. Uchwyt bezpieczeństwa
10. Blokada lasera kluczykiem (Laser jest emitowany tylko, kiedy jest podłączony interlock)
11. Bezpiecznik
12. Wejście/wyjście Interlock XLR 3-pin
13. Pokrętko czułości mikrofonu
14. Mikrofon



WYMIANA BEZPIECZNIKA

Jeśli bezpiecznik jest niesprawny, wymień go na nowy egzemplarz tego samego typu i wartości. Przed wymianą bezpiecznika wyciągnij kabel zasilający z gniazda.

Instrukcja:



- Krok 1: Otwórz śrubokrętem zasłonkę bezpiecznika na tylnym panelu.
- Krok 2: Wyciągnij bezpiecznik.
- Krok 3: Włóż nowy bezpiecznik w obudowę.
- Krok 4: Zasłoń obudowę bezpiecznika oryginalnym plastikiem.

CZYSZCZENIE URZĄDZENIA

Czyszczenie wewnętrznej oraz zewnętrznej soczewki oraz/lub lusterek musi być przeprowadzane systematycznie, aby zapewnić najlepszą moc świecenia. Częstotliwość konserwacji zależy od środowiska, w jakim urządzenie jest użytkowane: wilgoć, dym oraz kurz mogą spowodować akumulację nieczystości na optykach.

- Upewnij się, że przestrzeń pod instalacją jest wolna od osób postronnych.
- Obudowy, miejsca montażu oraz konstrukcje powinny być wolne od jakichkolwiek deformacji.
- Kable zasilające powinny być w doskonałym stanie oraz powinny być wymienione natychmiast w przypadku jakiegokolwiek defektu.
- Aby zabezpieczyć urządzenie przed przegrzaniem, wentylatory (jeśli takie są) oraz kanały wentylacyjne powinny być czyszczone raz na miesiąc.
- Wnętrze urządzenia powinno być czyszczone corocznie za pomocą odkurzacza.
- Do czyszczenia sprzętu należy używać miękkiej szmatki oraz zwykłego płynu do mycia szyb.
- Ostrożnie osuszaj części.
- Dokonuj czyszczenia zewnętrznej soczewki co najmniej co miesiąc. Wewnętrzne soczewki powinny być czyszczone co 30/60 dni.

UWAGA: Wewnętrzne czyszczenie powinno być przeprowadzane przez wykwalifikowaną osobę.

TECHNICAL SPECIFICATION / TECNISCHE SPECIFICATIE / TECHNISCHE DATEN / ESPECIFICACIONES TÉCNICAS / SPÉCIFICATIONS TECHNIQUES / SPECYFIKACJA TECHNICZNA

Rated voltage	: AC100~240V 50/60Hz
Rated power	: 200W
Laser	: Red 700mW @ 638nm / Green 700mW @ 520nm / Blue 1800mW @ 445nm
Scanner	: 30Kpps / 60° scanning angle maximum
Fuse	: T3A
DMX Channels	: 13 / 25
Function	: ILDA, DMX, Auto, Sound active and Master-Slave.
Dimensions per unit	: 328 x 246 x 175mm
Weight (per unit)	: 13kg

The specifications are typical. The actual values can slightly change from one unit to the other. Specifications can be changed without prior notice.

MENU / MENÜ / MENÚ

First Menu	Second Menu	Third Menu
DMX512	Running A001 (DMX address)	
AUTO (auto running mode)	Show 001	
Music (sound activate mode)	Show 001	
TESTING	Scan	Scan 30KPPS (Press UP and down to choose different speed. Be careful on this setting as it will destroy the scanner if it's set higher than the unit scanner speed.)
	Colour	Single (1~7) RGY RBP GBA RGB WYAP
Setting	Light (LCD backlight setting)	ON (Always ON) ON 5S (ON for 5 seconds)
	One Beam	OFF ON
	Master (set master unit)	OFF ON
	Channel	13CH 25CH
	TTL Mode	OFF (choose off to have analog effects) ON
Default	Yes No	

DMX CHANNELS / DMX KANALEN / DMX-KANÄLE / CANALES DMX / CANAUX DMX / KANAŁY DMX

13 Channels

Channel	Function	Value	Description
1	Laser OFF	000-041	Laser OFF
	Auto Activate	042-083	DMX mode, CH2-CH13 valid
		084-167	Build in graphics auto running mode
	Sound Activate	168-251	Build in graphics sound activated mode
252-255		DMX mode, CH2-CH13 valid under sound activate	
2	Pattern select	000-255	Selecting built in patterns (every 2 values for one pattern)
3	Rotation	000-127	Manual rotation
		128-159	30° rotation speed select
		160-191	180° rotation speed select
		192-223	Auto clockwise rotation (from slow to fast)
4	X-axis rolling	224-255	Auto counter-clockwise rotation (from slow to fast)
		000-127	Manual rolling
5	Y-axis rolling	128-255	Auto rolling (From slow to fast)
		000-127	Manual rolling
6	X-axis moving	128-255	Auto rolling (From slow to fast)
		000-127	Manual choose moving position
7	Y-axis moving	128-255	Auto moving (from slow to fast)
		000-127	Manual choose moving position
8	Zooming	000-127	Manual choose moving position
		128-159	Auto zooming (-) from slow to fast
		160-191	Auto zooming (+) from slow to fast
		192-255	Manual zooming (+/-) from slow to fast
9	Pattern size	000-255	Choose pattern size, 0 is normal size, from small to big
10	Drawing	000-255	Select pattern size
11	Display dot	000-127	Auto drawing from slow to fast
		128-255	Choose the length of dot
12	Colour setting	000-007	Normal colour
		008-063	Choose every single colour
		064-127	Colour change effects and speed
		128-223	Select flowing colour effect & speed
13	Analog colour	224-255	Select colour drawing effect & speed
		000-255	Select analog colours (Only valid under CH12 with 0-7 value)

25 Channels

Channel	Function	Value	Description
1	Laser OFF	000-041	Laser OFF
	Auto Activate	042-083	DMX mode, CH2-CH13 valid
		084-167	Build in graphics auto running mode
	Sound Activate	168-251	Build in graphics sound activated mode
252-255		DMX mode, CH2-CH13 valid under sound activate	
2	Pattern A select	000-255	Selecting built in patterns (every 2 values for one pattern)
3	Rotation A	000-127	Manual rotation
		128-159	30° rotation speed select
		160-191	180° rotation speed select
		192-223	Auto clockwise rotation (from slow to fast)
		224-255	Auto counter-clockwise rotation (from slow to fast)
4	X-axis A rolling	000-127	Manual rolling
		128-255	Auto rolling (From slow to fast)
5	Y-axis A rolling	000-127	Manual rolling
		128-255	Auto rolling (From slow to fast)
6	X-axis A moving	000-127	Manual choose moving position
		128-255	Auto moving (from slow to fast)
7	Y-axis A moving	000-127	Manual choose moving position
		128-255	Auto moving (from slow to fast)
8	Pattern A size	000-127	Choose pattern size, 0 is normal size, from small to big
	Zooming A	128-159	Auto zooming (-) from slow to fast
		160-191	Auto zooming (+) from slow to fast
		192-255	Manual zooming (+/-) from slow to fast
9	Pattern A size	000-255	Select pattern size
10	Drawing A	000-255	Auto drawing from slow to fast
11	Display A dot	000-127	Auto drawing from slow to fast
		128-255	Choose the length of dot
12	Colour A setting	000-007	Normal colour
		008-063	Choose every single colour
		064-127	Colour change effects and speed
		128-223	Select flowing colour effect & speed
		224-255	Select colour drawing effect & speed
13	Analog A colour	000-255	Select analog colours (Only valid under CH12 with 0-7 value)
14	Pattern B select	000-255	Selecting built in patterns (every 2 values for one pattern)
15	Rotation B	000-127	Manual rotation
		128-159	30° rotation speed select
		160-191	180° rotation speed select
		192-223	Auto clockwise rotation (from slow to fast)
		224-255	Auto counter-clockwise rotation (from slow to fast)
16	X-axis B rolling	000-127	Manual rolling
		128-255	Auto rolling (From slow to fast)
17	Y-axis B rolling	000-127	Manual rolling
		128-255	Auto rolling (From slow to fast)
18	X-axis B moving	000-127	Manual choose moving position
		128-255	Auto moving (from slow to fast)
19	Y-axis B moving	000-127	Manual choose moving position
		128-255	Auto moving (from slow to fast)
20	Pattern B size	000-127	Choose pattern size, 0 is normal size, from small to big
	Zooming B	128-159	Auto zooming (-) from slow to fast
		160-191	Auto zooming (+) from slow to fast
		192-255	Manual zooming (+/-) from slow to fast
21	Pattern B size	000-255	Select pattern size
22	Drawing B	000-255	Auto drawing from slow to fast
23	Display B dot	000-127	Auto drawing from slow to fast
		128-255	Choose the length of dot
24	Colour B setting	000-007	Normal colour
		008-063	Choose every single colour
		064-127	Colour change effects and speed
		128-223	Select flowing colour effect & speed
		224-255	Select colour drawing effect & speed
25	Analog B colour	000-255	Select analog colours (Only valid under CH12 with 0-7 value)



tronios
Sound & Light

CE Declaration of Conformity

Manufacturer: TRONIOS BV
Bedrijvenpark Twente 415
7602 KM – ALMELO
+31(0)546589299
+31(0)546589298
The Netherlands

Product number: 152.504

Product Description: Phantom Twin3500 Pure Diode RGB Laser

Trade Name: BEAMZ

Regulatory Requirement: EN 60598-1:2015
EN 60598-2-17:1989+A2:1991
EN 55015:2013
EN 61547:2009
EN 61000-3-2:2014
EN 61000-3-3:2013
EN 60825-1:2014

I hereby declare that the product meets the requirements stated in Directives 2014/35/EU and 2014/30/EU and conforms to the above mentioned Declarations.

Almelo,

31-05-2017

Name : *M. Velders*

Signature :

Specifications and design are subject to change without prior notice..

www.tronios.com

Copyright © 2017 by TRONIOS the Netherlands