



## SFBH1

### Satin Finish Wireless Bluetooth® Headphones

Black: 100.560UK, Silver 100.561UK

User Manual

Deep bass, sleek design and state-of-the-art features combine in these stylish, foldaway, wireless headphones. Bluetooth 4.2 offers exceptional connection strength and speed, with earcup controls providing intuitive command over track selection, volume and hands-free operation. Soft, over-ear cushions and a padded headband make for long-lasting comfort, whether you're relaxing or 'on the move', with a rechargeable Lithium-ion battery giving up to 10 hours life from a single charge. Available in silver and black satin finishes, with a luxury hard-shell case, USB charging lead and 3.5mm audio lead.

- Attractive satin finish and solid construction
- Wireless Bluetooth v4.2 connectivity
- Dynamic bass technology
- Operating distance of up to 10m
- Internal rechargeable battery with up to 10 hours playback
- Track control and volume buttons on the ear cup
- Built-in microphone for hands free calls
- Foldable design for compact storage

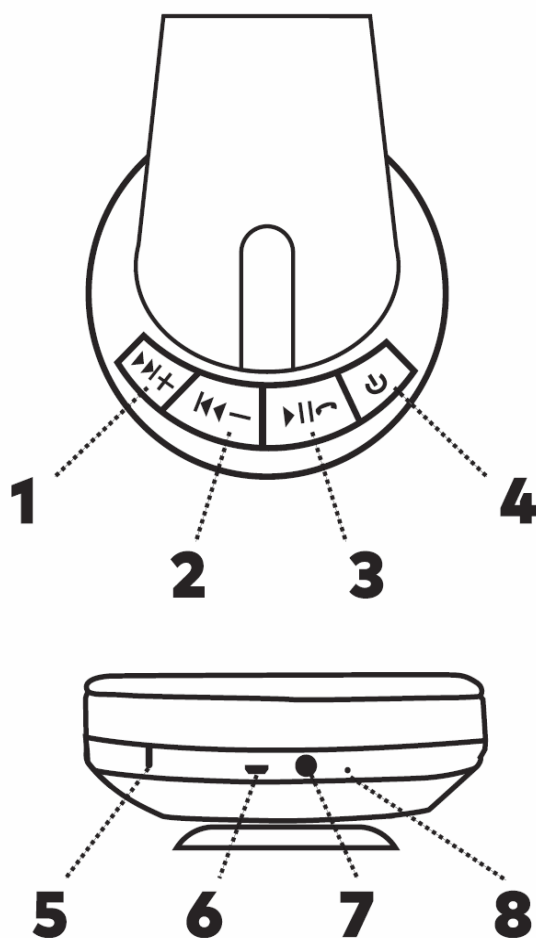
#### Technical specifications:

Power supply	Internal rechargeable 400mAh Lithium battery
Battery life	Up to 10 hours (playback and talk time)
Standby time	Up to 180 hours
Charging time	2.5 hours (approx.)
Speaker size	40mmØ
Frequency response	20Hz - 20kHz
Sensitivity	115dB
Impedance	64Ω
Connections	Bluetooth, 3.5mm stereo jack, micro USB for charging
Bluetooth version	4.2
Bluetooth range	Up to 10m (clear line of sight)
Dimensions	205 x 200 x 85mm
Weight	250g

#### In the box:

- Wireless Bluetooth headphones
- Hard shell carry case
- USB charging lead (0.5m)
- 3.5mm audio lead (1.2m)
- User guide

## Controls and functions:



### 1. Next track/volume up

Short-press to move to the next track and long-press to increase the master volume. When maximum volume is reached, an audible tone will be heard.

### 2. Previous track/volume down

Short-press to select the previous track and long-press to decrease the master volume.

### 3. Play/pause/call answer

Short-press to play and pause the current track or answer an incoming call. When a call is received, a voice will read back the caller's telephone number. To accept the call press once; to reject press twice.

### 4. Power/pair button

Press and hold to turn the headphones on or off. When turning the headphones on, an audible tone will be heard, and Bluetooth pairing mode will be activated. The LED indicator (5) will alternately flash red and blue until the headphones are paired with a device. Select 'AV:LINK-SFBH1' in your device's pairing list and use the code '0000' to pair. When the devices are successfully paired, an audible tone will be heard, and the LED indicator will flash blue.

### 5. LED indicator

Flashes alternately red and blue in pairing mode; flashes blue when paired; and flashes red when the battery is low. Glows solid red during charging.

### 6. USB charging port

To charge the headphones, connect to a USB power source using the cable provided. Ensure the headphones are fully charged before first use. The LED indicator will glow red until the headphones are charged, then go out. A flashing red LED during use indicates that the headphones need recharging.

### 7. 3.5mm jack port

The headphones can be connected to any device with a 3.5mm jack output using the cable provided.

### 8. Built-in microphone

Used to answer hands-free phone calls when the headphones are connected to a compatible device.



Do not attempt to service this product yourself as opening or removing covers may result in fire, electric shock or equipment damage and will also invalidate the warranty. This product is only designed for indoor use and must be kept away from water and high humidity, along with high temperatures and direct sunlight.



This product is classed as Electrical or Electronic equipment and should not be disposed with other household or commercial waste at the end of its useful life. The goods must be disposed of according to your local council guidelines.