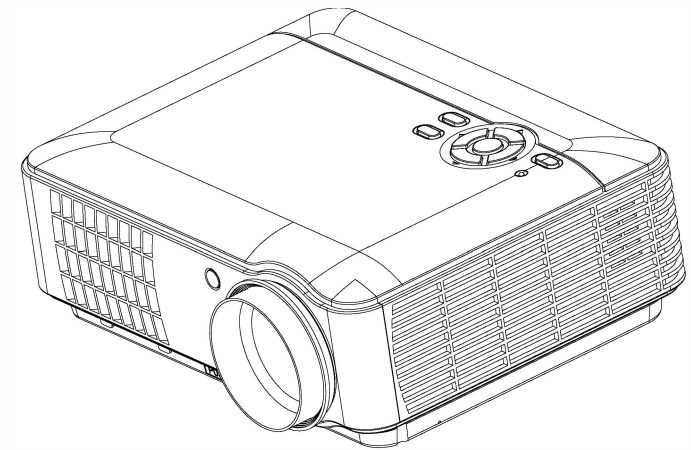


FENTON



HD-Pro Beamer 2800 Lumens

Ref.Nr.: 103.076

MANUAL

Contents

Warning	1
Safety Precautions	2
Caution	3
Installation	
Full Setting	4
Standard Setting	5
Installation Method	6
Structural Diagram	7
Input Terminals	8
Remote Control	9
Panel Keys	10
Turn On/Off	11
Focus/Keystone Adjustment	12
Menu Setting	
Regular Setting	13
Software Update	17
Troubleshooting	18
Specification	19
Accessory List	20
Warranty Card	21



tronios
Sound & Light

CE Declaration of Conformity

Manufacturer: TRONIOS BV
Bedrijvenpark Twente 415
7602 KM – ALMELO
+31(0)546589299
+31(0)546589298
The Netherlands

Product number: 103.076

Product Description: HD-Pro Beamer 2800 Lumen

Trade Name: FENTON

Regulatory Requirement: EN60950-1:2006 +A11:2009+A1:2010+A12:2011+A2:2013
EN55022:2010,
EN 55024:2010,
EN61000-3-2:2014,
EN61000-3-3:2013

I hereby declare that the product meets the requirements stated in Directives 2014/35/EU and 2014/30/EU and conforms to the above mentioned Declarations.

Almelo,
24-02-2017

Name : M. Velders

Signature :

Accessory List

Accessory List

Projector -----	1pc
Remote Control -----	1pc
Power Cable -----	1pc
AV Signal Cable -----	1pc
VGA Signal Cable -----	1pc
Manual -----	1pc
Spare Fuse -----	1pc

Accessories which may be purchased separately:

1. Projection Screen
2. Spare Lamp
3. Ceiling Mount

Warning

Warning:

Please write down the model number and serial number of this product in the box on the right.

MODEL NUMBER:

SERIAL NUMBER:

Warning:



Do not look directly into the light of the lens - this could cause damage to your eyes.

Warning: Do not place the projector on a wet surface, as this may result in an electric shock.

High voltage, do not open, except for professionals!



WARNING



Important operating instruction.



Dangerous voltage indicated.

Installation of remote control batteries:

To avoid damage, remote control batteries must be installed correctly.

Safety Precautions

Please read this manual carefully prior to operating this projector and save for future reference.

Please follow instructions when operating and/or repairing the projector.

1. Cleaning Instructions

Use a wet cloth with no detergents to wipe the projector. Remember to unplug the power cable first.

2. Accessories

To avoid damage, use only the recommended accessories.

3. Wet Surfaces

Do not place the projector on any wet surfaces.

4. Installation

Please install this projector on a stable surface.

5. Ventilation

For best performance, please clean the filter once a month.

6. Power

Before plugging in the power cable, ensure that the correct voltage is available.

7. Ground Wire

The three pin plug is the ground wire of this projector.

8. Protect the Power Cable

Make sure the power cable is in perfect working condition before using it.

9. Thunder

When not using the projector for an extended period of time or when there is a storm, unplug the power cable.

10. Repair

Due to high voltage, do not open or try to repair the projector by yourself. Refer to a professional technician.

11. Heat

Make sure not to put this projector near any heating devices as it may shorten the life span of the projector.

Specification

LCD Panel Size	5.8" TFT	
Input Signal	Video	Component video (YPbPr), VGA, HDMI USB, AV, ATV/DTV/NO TV(optional function)
	Audio	Stereo
Output Signal	Audio	3W X 2 speakers
LCD	Native resolution	1280*800, supports 1080P
	Contrast ratio	1,500:1
Lens	Focus	210mm
Lamp	LED	140W
	Life	50,000 hours
Image	Size	50-200inch
	Brightness	2,800 lumen
	Keystone	±15 degree
Power	Voltage	100-240V~50/60Hz
	Power consumption	170W
Working Condition	Temperature	-10°C~40°C
	Humidity	10%~65%
Store Condition	Temperature	-20°C~50°C
	Humidity	10%~85%
Remote Control	Frequency	38KHz
Dimensions	Size	336x263x118mm
	Weight	3.5kgs

Please note: The specifications above may change without prior notice.

Problem	Possible Causes
1. The indicator light does not work when the power switch is turned on.	<ul style="list-style-type: none"> ⊙ Power cable is not connected properly. ⊙ The power switch is faulty.
2. The projector does not come on when using the remote control.	<ul style="list-style-type: none"> ⊙ The power switch is turned off. ⊙ The remote control has no batteries or the batteries are low. ⊙ The remote control is not being aimed at the IR receiver.
3. No image.	<ul style="list-style-type: none"> ⊙ The input source may not be correct. ⊙ No input signal. ⊙ The input cable is not connected. ⊙ If under PC mode, the PC output frequency is not 50-60Hz. Make sure that the PC output is connected with the projector.
4. Auto-off.	<ul style="list-style-type: none"> ⊙ The projector ventilation is blocked. ⊙ The voltage is not stable. ⊙ The projector has overheated - check that the fan is not broken.

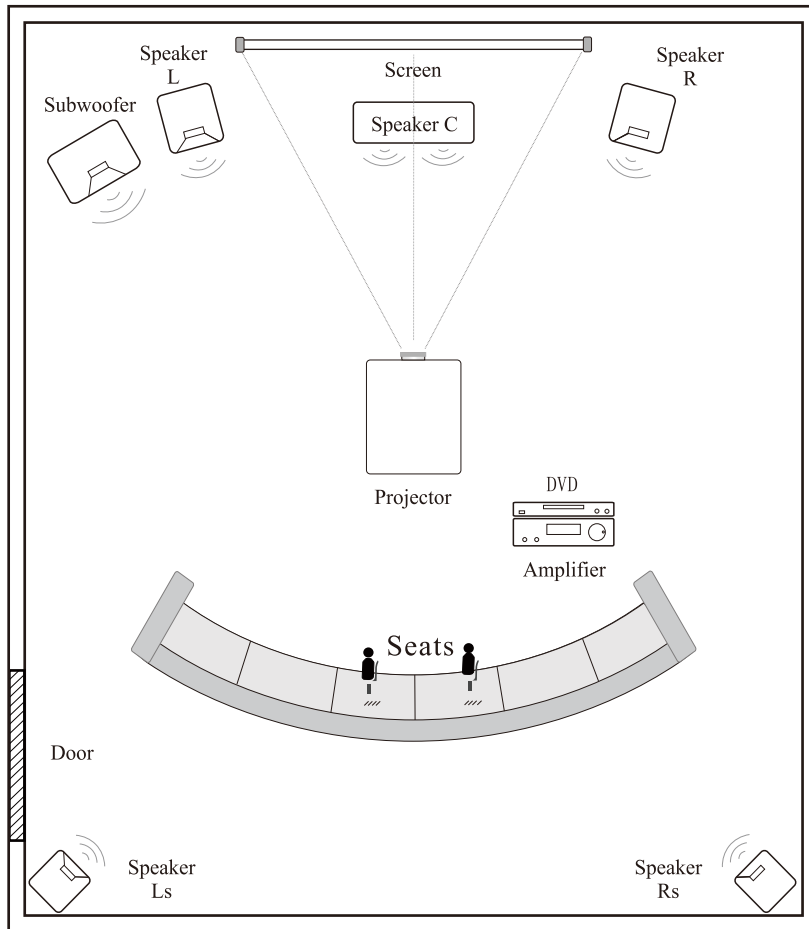
Installation

- In order to improve this projector's life span, do not place it on a wet surface.
- The projector should not be placed in direct sunlight.
- Projector working temperature:
-10°C~40°C
- Projector storage temperature:
-20°C~50°C
- Do not block the ventilation window of the projector. If the interior temperature of the projector is too high, it will automatically shut down to protect itself from damage. To prevent this overheating from happening, please clean the filter once a month.

Turning the projector on/off

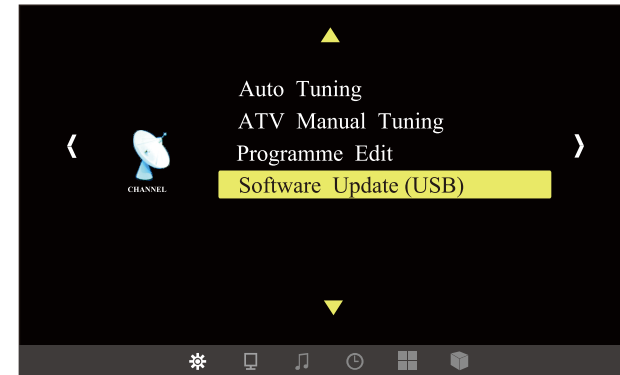
- To turn on the projector, connect the power cable, then press the "power" key on the panel. It will take a couple of minutes for the lamp to start operating.
- To turn off the projector, press the "power" key again. The lamp will shut off while the fan will continue to work for some seconds.

Full Setting



Avoid direct sunlight to obtain best quality image.
Curtains should be closed if using the projector during the day.

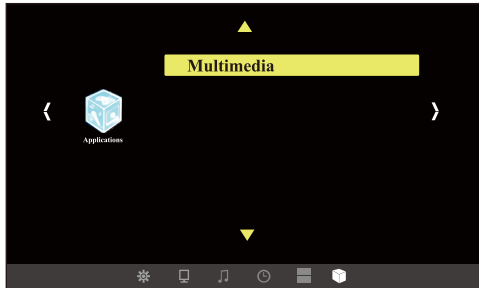
8. Channel Menu and updating.



Channel Menu and Updating

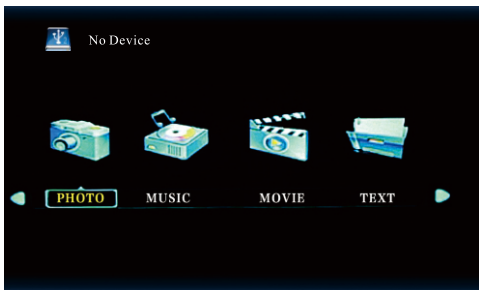
Auto Tunning	Available for ATV version projector, search the analogy TV channel automatically.
ATV Manual Tuning	Available for ATV version projector, search the analogy TV channel manually.
Programme Edit	Available for ATV version projector, set the analogy TV channel by remote.
Software Update (USB)	Update the system through USB.

6. Applications



It links to the USB source and is used to read files like photo/music/movie/text.

7. Multimedia Menu



Multimedia Menu	
PHOTO	View the photos in the gallery.
MUSIC	Play an album.
MOVIE	Watch a movie.
TEXT	Read a book.

Multimedia Format

Task	Format	Video Decode	Audio Decode
MOVIE	.avi	Xvid, MPEG-4	Mp3, AAC
	.mpg	MPEG-1, MPEG-2	
	.dat	MPEG-1	
MUSIC	.mp3	---	Mp3
	.m4a/.aac	---	AAC
PICTURE	.jpg/jpeg	Progressive JPEG Baseline JPEG	---
	.bmp	BMP	---

Caution:

- 1) The USB interface supports USB1.1, USB2.0, including hard drives and fresh drives.
- 2) The max storage supported is 400GB.
- 3) The system format supported: FAT16, FAT32, NTFS.
- 4) The USB interface can support most drives, but is not universal. Any unknown device problem is caused by the device drive.
- 5) The total voltage of the connected devices should not be over 1200mAh. The problems caused by incorrect operations are not under guarantee.

Standard Setting (Front Projection)

Please refer to the following table to adjust your picture size and distance (from the lens to the screen).

Picture Size	Distance	
	4:3	16:9
50"	2.05m	1.76m
70"	2.86m	2.35m
100"	3.99m	3.41m
120"	4.70m	4.08m

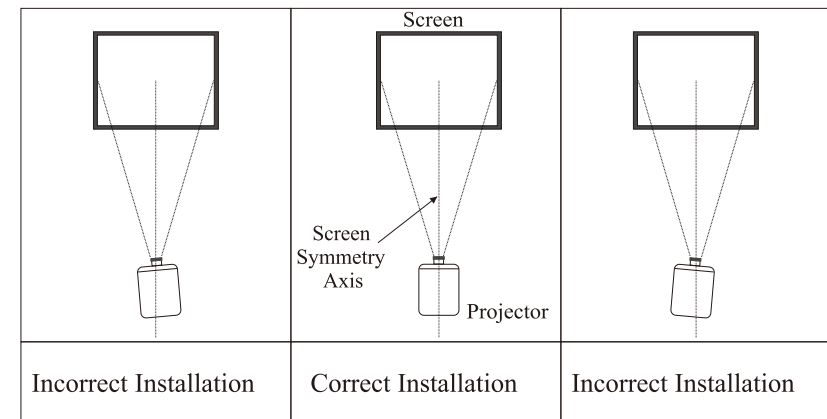
(We suggest that does not over 120 inch for a better viewing.)

Please allow +3% to the image sizes in the table above.

If the distance is less than min data and more than max data, the image could be blurry.

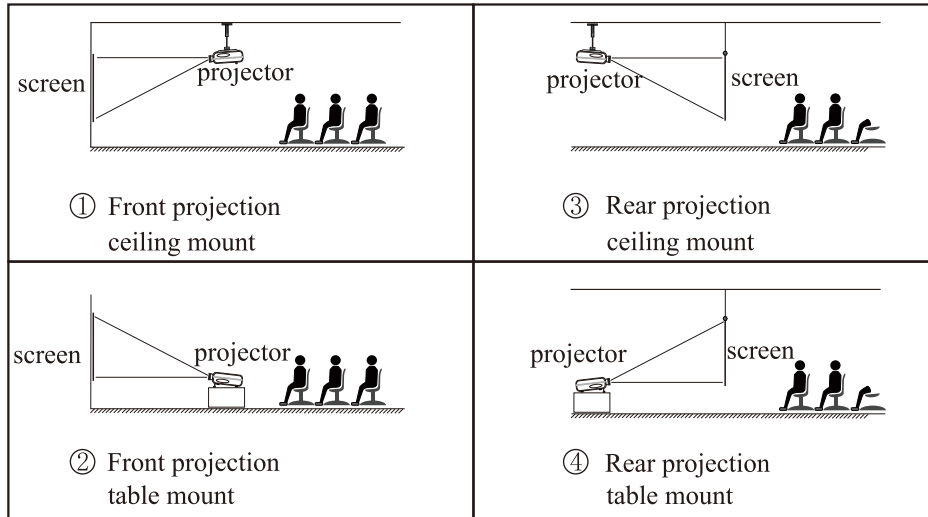
Warning:

Please check the diagram below for the trapezoid adjustment.



Installation Method

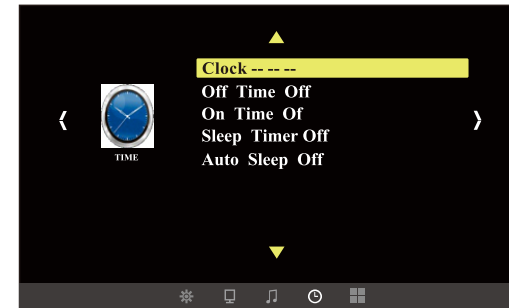
Contact a professional installer to mount this projector to a ceiling.
Follow the instructions below for the correct projector positions.



Warning:

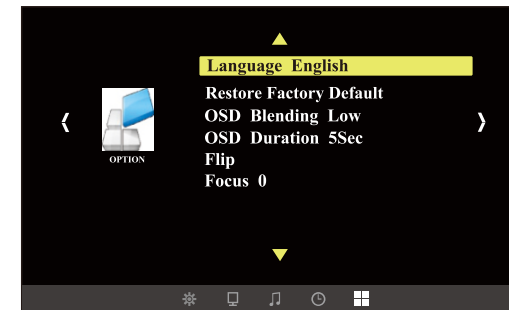
1. This projector may be damaged beyond repair if it is incorrectly mounted on a ceiling or on a surface.
2. This projector should only be used in an environment where the temperature does not exceed the range of -10°C~40°C. Projector malfunction may occur if this is not adhered to.
3. Malfunction may occur if the projector is subjected to dusty, wet, moist or smokey conditions.
4. Poor ventilation could cause overheating which could lead to damage to the projector as well as a life threatening situation.

4. Time Menu



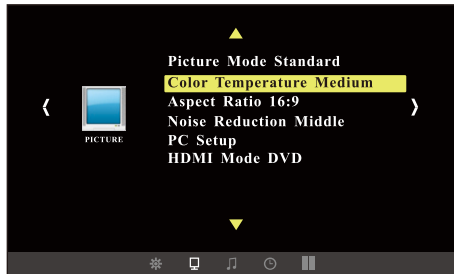
Time Menu	
Clock -- -- --	Date--/Month--/Year--/Hour--/Minute--
Off Time	Off/Once/Everyday/Mon~Fri/Mon~Sat/Sat~Sun/Sunday
On Time	Off/Once/Everyday/Mon~Fri/Mon~Sat/Sat~Sun/Sunday
Sleep Timer	Off/10 min/20 min/30 min/60 min/90 min/120 min/180 min/240 min
Auto Sleep	Off/On

5. Option Menu



Menu Setting	
Language	English/German/Chinese/total 23 kinds
Restore Factory Default	Yes/No
OSD Blending	Off/Low/Middle/High
OSD Duration	Off/5 seconds/10 seconds/15 seconds
Flip	Flip Horizontal/Flip Vertical
Focus	0~25 degrees

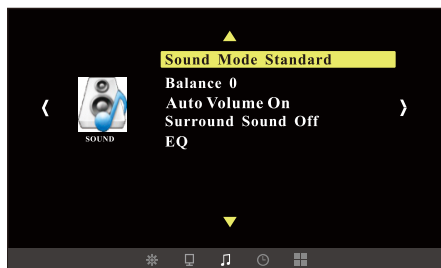
2. Picture Menu



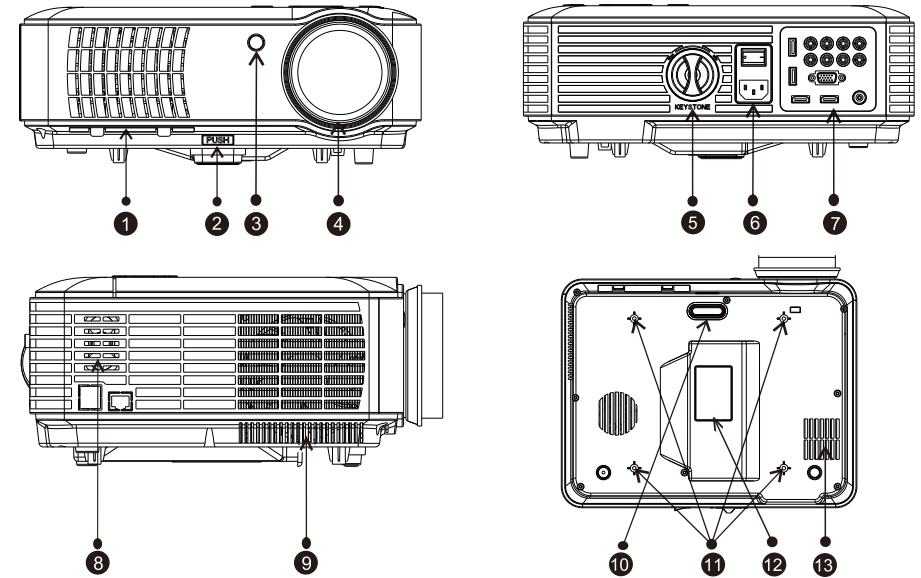
Picture Menu	
Picture Mode	Standard/Mild/User/Dynamic
Color Temperature	Cool/Medium/Warm/User
Aspect Ratio	4:3 or 16:9/Zoom 1/Zoom 2
Noise Reduction	Off/Low/Middle/High
PC Setup	Auto Adjust/Horizontal Pos. 50/ Vertical Pos. 50/Size 50/Phase 7
HDMI Mode	PC/DVD

User Mode of Picture		
Contrast	0-100	Adjust the difference between the darkness and the brightness.
Brightness	0-100	Adjust the brightness of the full picture.
Color	0-100	Adjust the color of the picture.
Sharpness	0-100	Adjust the sharpness of the picture.

3. Sound Menu



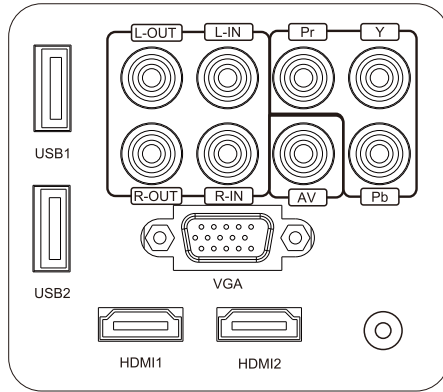
Sound Mode	
Sound Mode	Music/Movie/Sports/User/Standard
Balance	-50~50
Auto Volume	On/Off
Surround Sound	Off/Surround/SRS TruSurround XT
EQ	(120/500/1.5K/10K)Hz



1. Cool winds input ventilation
2. Level-stand adjustment
3. IR receiver
4. Focus lens
5. Keystone
6. Power switch
7. Input terminals
8. Speaker
9. Hot winds output ventilation
10. Level-stand adjustment
11. Projector mount holes
12. Label
13. Cool winds input ventilation

Please note : ATV/DTV input are optional function , need to be charged, normal is no TV.

Interface



Name	Instruction
Y/Pb/Pr	Component video input
AV	Video input
L-Out , R-Out	Audio output
L-In , R-In	Audio input
VGA	VGA input
TV	Analogy TV/ Digital TV/ NO TV
HDMI 1/2	HDMI signal input
USB 1/2	Connect USB flash drive

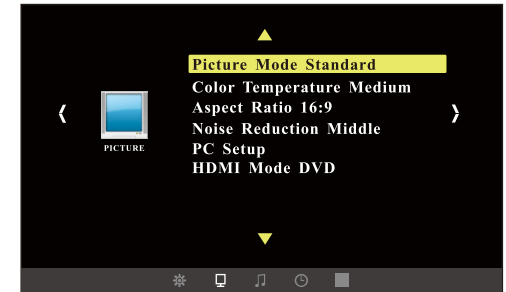
Please note : ATV/DTV input are optional function , need to be charged, normal is no TV.

Caution

To avoid damage, connect the input signal cable correctly prior to switching on the projector.

1. Menu Setting Method

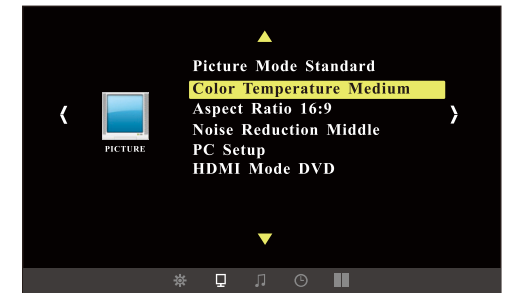
1) Whilst operating the projector, press the menu key - the projector will show an image as depicted in picture 1.



Picture 1

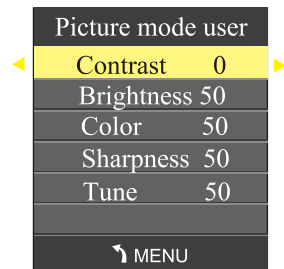
2) Press “◀/▶” key, to enter the following submenus:
picture > sound > time > option > applications > channel.

3) After entering the selected submenu, use “▲/▼” to select the specific item you want to adjust per picture 2.



Picture 2

4) Use “OK” and “◀/▶” to adjust the parameters like picture 3.



Picture 3

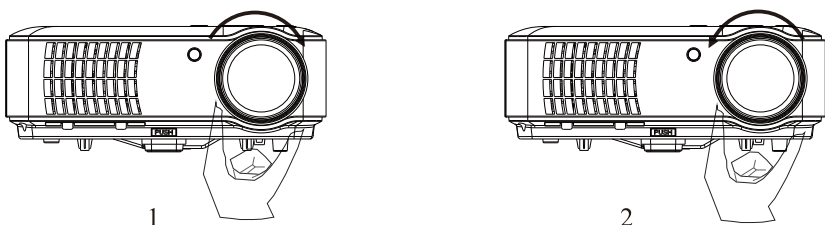
5) After you have completed the adjustment, press “menu” again to return to the previous menu.

Image Adjustment

When operating the projector for the first time, the image may appear unclear or trapezoid. Please follow the following steps for correction:

Focus adjustment

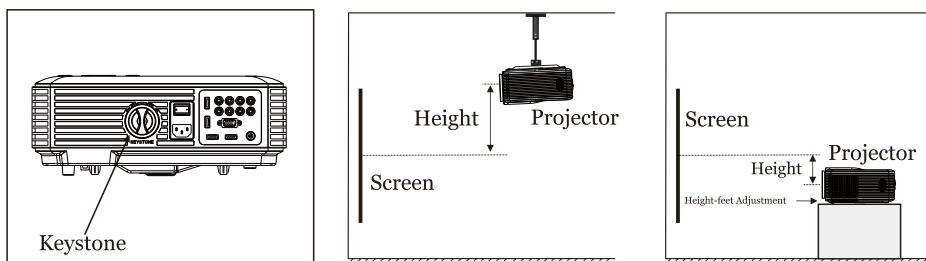
Turn the lens clockwise to the projector, thereafter, slowly turn it counter clockwise. At the same time, check the resolution point. The best position of the lens will be determined when the image is clear.



Please note: when moving the projector from a cold to a warm environment, water vapour may occur. Do not turn the projector on until such time as the vapour has disappeared.

Keystone

If a projected picture has keystone distortion, correct the image with keystone adjustment. The image becomes a trapezoid shape when the screen or projector is not level. Please reposition the projector to improve its angle to the screen. However, the circumference of the image may not be focused.



If you are not able to use the keystone correction function to correct the trapezoid distortion, please lower the projector to the center of the screen vertically.

Remote Control Instruction

REMOTE CONTROL

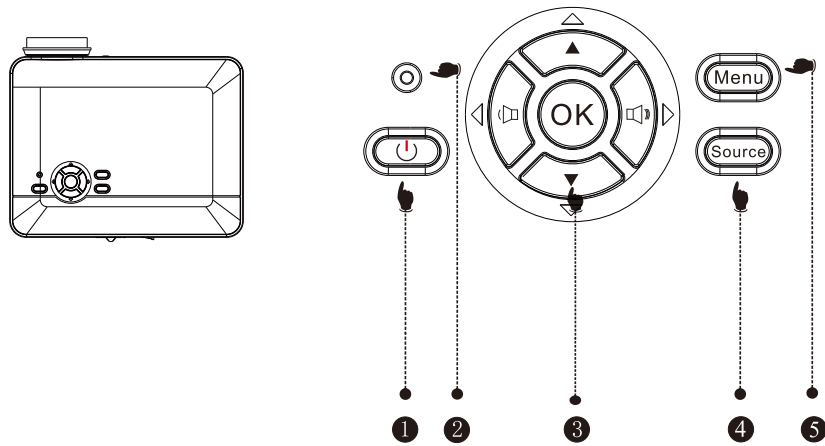


	Turn on/off		Up
	Mute		Down
Info	Press to display information		Left
Pic.	Picture mode		Right
Audio	Audio mode		Prev
Zoom	Press to enlarge or reduce the image		Next track
Rep.	Repeat function (when using USB multimedia play)		Rewind
AB	AB cycle (when using USB multimedia play)		Fast forward
Aud.T	Audio tracks (when using USB multimedia play)		Play/Pause
Subt.	Subtitle (when using USB multimedia play)		Pause
Goto	Press to go to a certain time to play (when using USB multimedia play)	OK	Confirm
USB	Press to enter USB mode directly	Vol+/-	Press to increase or decrease the volume
S	Press to switch between the sources	CH+/-	Press to go to the next or previous channel
R	16 : 9 / 4 : 3 Aspect ratio	Flip	360 degree image
M	Menu	FRZ	Press to freeze the image
Exit	Exit	1,2,3...9	Press to choose a TV channel

Remark: Some keys only work for projector with ATV or DTV function.

Panel Key Instruction

Panel Key Sketch Map



① Power Key

Press the power key to turn on or switch off the projector. This function is the same as “power” on the remote control.

② Indicator Light

Red: In standby mode
Blue: Working

③ Direction Operation Key

By pressing these keys, preferred menu choices may be made.

④ Source

Choose the input signal, such as AV, YPbPr, HDMI or PC.

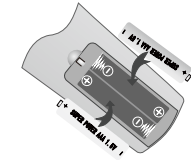
⑤ Menu

By pressing this key, you can adjust the menu by using the Up/Down as well as Left/Right buttons.

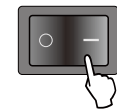
Turn On/Off the Projector

Turning on the projector:

1. Two new batteries should be installed into the remote control before use.



2. Turn on the power switch on the backboard, the indicator light will turn red.



3. Press the power key on the remote control or on the top panel, the indicator light will change to blue.



4. After a few seconds, the lamp will begin to work.

5. When using the projector for the first time, the image may appear blurry or distorted. Refer to the Image Adjustment chapter for instructions.

6. You may also reset the system parameters at anytime. Please refer to the Menu Setting chapter.

Turning off the projector:

1. While using the projector, if you press the “power” key, the projector will enter standby mode.

2. When the projector is in standby mode, its auto protecting system will be activated. To start up, press the power key again.