

FREEPLAY

Personal PA

OWNER'S MANUAL



Important Safety Instructions

1. Read these instructions.
2. Keep these instructions.
3. Heed all warnings.
4. Follow all instructions.
5. Do not use this apparatus near water.
6. Clean only with a dry cloth.
7. Do not block any ventilation openings. Install in accordance with the manufacturer's instructions.
8. Do not install near any heat sources such as radiators, heat registers, stoves, or other apparatus (including amplifiers) that produce heat.
9. Protect the power cord from being walked on or pinched particularly at plugs, convenience receptacles, and the point where they exit from the apparatus.
10. Only use attachments/accessories specified by the manufacturer.
11. Use only with a cart, stand, tripod, bracket, or table specified by the manufacturer, or sold with the apparatus. When a cart is used, use caution when moving the cart/apparatus combination to avoid injury from tip-over.
12. Unplug this apparatus during lightning storms or when unused for long periods of time.
13. Refer all servicing to qualified service personnel. Servicing is required when the apparatus has been damaged in any way, such as power-supply cord or plug is damaged, liquid has been spilled or objects have fallen into the apparatus, the apparatus has been exposed to rain or moisture, does not operate normally, or has been dropped.
14. This apparatus shall not be exposed to dripping or splashing, and no object filled with liquids, such as vases or beer glasses, shall be placed on the apparatus.
15. Do not overload wall outlets and extension cords as this can result in a risk of fire or electric shock.



CAUTION

RISK OF ELECTRIC SHOCK! DO NOT OPEN!

CAUTION: TO REDUCE THE RISK OF ELECTRIC SHOCK DO NOT REMOVE COVER (OR BACK). NO USER-SERVICEABLE PARTS INSIDE. REFER SERVICING TO QUALIFIED PERSONNEL.

The lightning flash with arrowhead symbol within an equilateral triangle is intended to alert the user to the presence of uninsulated "dangerous voltage" within the product's enclosure, that may be of significant magnitude to constitute a risk of electric shock to persons.

The exclamation point within an equilateral triangle is intended to alert the user of the presence of important operating and maintaining (servicing) instructions in the literature accompanying the appliance.

16. NOTE: This equipment has been tested and found to comply with the limits for a Class B digital device, pursuant to part 15 of the FCC Rules. These limits are designed to provide reasonable protection against harmful interference in a residential installation. This equipment generates, uses, and can radiate radio frequency energy and, if not installed and used in accordance with the instructions, may cause harmful interference to radio communications. However, there is no guarantee that interference will not occur in a particular installation. If this equipment does cause harmful interference to radio or television reception, which can be determined by turning the equipment off and on, the user is encouraged to try to correct the interference by one or more of the following measures:
- Reorient or relocate the receiving antenna.
 - Increase the separation between the equipment and the receiver.
 - Connect the equipment into an outlet on a circuit different from that to which the receiver is connected.
 - Consult the dealer or an experienced radio/TV technician for help.

CAUTION: Changes or modifications to this device not expressly approved by LOUD Technologies Inc. could void the user's authority to operate the equipment under FCC rules.

17. This device complies with FCC radiation exposure limits set forth for an uncontrolled environment. This device should be installed and operated with minimum distance 20cm between the radiator & your body.
18. This apparatus does not exceed the Class A/Class B (whichever is applicable) limits for radio noise emissions from digital apparatus as set out in the radio interference regulations of the Canadian Department of Communications.

ATTENTION — *Le présent appareil numérique n'émet pas de bruits radioélectriques dépassant les limites applicables aux appareils numériques de class A/de class B (selon le cas) prescrites dans le règlement sur le brouillage radioélectrique édicté par les ministere des communications du Canada.*

19. This device complies with Industry Canada licence-exempt RSS standard(s). Operation is subject to the following two conditions:

- (1) this device may not cause interference, and
- (2) this device must accept any interference, including interference that may cause undesired operation of the device.

Le présent appareil est conforme aux CNR d'Industrie Canada applicables aux appareils radio exempts de licence. L'exploitation est autorisée aux deux conditions suivantes :

- (1) l'appareil ne doit pas produire de brouillage, et
- (2) l'utilisateur de l'appareil doit accepter tout brouillage radioélectrique subi, même si le brouillage est susceptible d'en compromettre le fonctionnement.

20. Exposure to extremely high noise levels may cause permanent hearing loss. Individuals vary considerably in susceptibility to noise-induced hearing loss, but nearly everyone will lose some hearing if exposed to sufficiently intense noise for a period of time. The U.S. Government's Occupational Safety and Health Administration (OSHA) has specified the permissible noise level exposures shown in the following chart.

According to OSHA, any exposure in excess of these permissible limits could result in some hearing loss. To ensure against potentially dangerous exposure to high sound pressure levels, it is recommended that all persons exposed to equipment capable of producing high sound pressure levels use hearing protectors while the equipment is in operation. Ear plugs or protectors in the ear canals or over the ears must be worn when operating the equipment in order to prevent permanent hearing loss if exposure is in excess of the limits set forth here:

Duration, per day in hours	Sound Level dBA, Slow Response	Typical Example
8	90	Duo in small club
6	92	
4	95	Subway Train
3	97	
2	100	Very loud classical music
1.5	102	
1	105	Greg screaming at Troy about deadlines
0.5	110	
0.25 or less	115	Loudest parts at a rock concert

WARNING — To reduce the risk of fire or electric shock, do not expose this apparatus to rain or moisture.

WARNING — The battery (battery or batteries or battery pack) shall not be exposed to excessive heat such as sunshine, fire or the like.

CAUTION — Danger of explosion if battery is incorrectly replaced. Replace only with the same or equivalent type.

Laite on liitettävä suojakoskettimilla varustettuun pistorasiaan.

Apparatet må tilkoples jordet stikkontakt.

Apparaten skall anslutas till jordat uttag.



Correct Disposal of this product: This symbol indicates that this product should not be disposed of with your household waste, according to the WEEE Directive (2012/19/EU) and your national law. This product should be handed over to an authorized collection site for recycling waste electrical and electronic equipment (EEE). Improper handling of this type of waste could have a possible negative impact on the environment and human health due to potentially hazardous substances that are generally associated with EEE. At the same time, your cooperation in the correct disposal of this product will contribute to the effective usage of natural resources. For more information about where you can drop off your waste equipment for recycling, please contact your local city office, waste authority, or your household waste disposal service.

Contents

- Important Safety Instructions 2
- Contents..... 3
- Features 3
- Introduction 4
- How To Use This Manual 4
- Things To Remember..... 4
- Getting Started..... 4
- Hookup Diagrams..... 5
- FreePlay Connect App..... 7
- FreePlay: Rear Panel Features 7
 - 1. Power Connector 7
 - 2. Power Switch..... 7
 - 3. XLR and 1/4" Combo Inputs 7
 - 4. OL LEDs..... 8
 - 5. Bluetooth / Aux In..... 8
 - 6. Mon Out..... 8
 - 7. Channel 1 and 2 Buttons..... 8
 - 8. BT / Aux..... 9
 - 9. Main Button 9
 - 10. Running Man Logo On / Off 9
 - 11. Check Battery 9
 - 12. Level..... 9
 - 13. Meters 9
 - 14. FX..... 10
 - 15. Feedback desTROYer 10
 - 16. EQ Mode 10
 - 17. Battery Compartment (Bottom Panel)..... 10
- Kickstand / Pole Mount 11
- Factory Reset [aka Vulcan Mind Meld] 11
- AC Power 11
- Care and Maintenance 11
- Appendix A: Service Information 12
- Appendix B: Technical Information 14
 - FreePlay Dimensions 16
 - FreePlay Block Diagram..... 17
- Appendix C: Table of Effects Presets..... 18
- Limited Warranty 19

Features

The Ultimate All-In-One Personal PA

- Full-range stereo system with high-output 8" woofer for unmatched bass response
- Built-in 4-channel digital mixer perfect for connecting vocal mics, guitars and more
- Stream your music from any smartphone, tablet or other Bluetooth® enabled device
- Flexible choice of AC or battery power, perfect for mobile applications
 - o Optional Lithium-ion battery pack delivers up to 10 hours of continuous performance¹
 - o Can also be powered with standard batteries (8 x D cell)
- Easy-to-use, built-in controls plus option for complete wireless operation

Pocketable Control On The Go

- FreePlay Connect™ app available for iPhone® and iPod® touch²
- Delivers total mobile control over your mix, from input levels and EQ to built-in vocal and instrument effects
- Attach your phone to a mic stand for easy mixing while performing or discretely control levels from a podium

Built For Professional Performance

- Built-in feedback destroyer for fearless performance with no unexpected, distracting noise
- 16 great-sounding digital effects like vocal reverbs and delays
- Complete control over channel levels, including per channel EQ and effects levels
- Choice of speaker modes ensures amazing sound for any application with the touch of a button

Available Accessories

- Tilt your FreePlay back or mount it on a standard speaker pole with the Kickstand / Pole Mount accessory
- Always have the power you need with the FreePlay Rechargeable Lithium-Ion Battery
- Durable FreePlay Carry Bag with pockets for storing mics, cables and more

¹ Your mileage may vary. Battery life is dependent on sustained volume levels.

² Requires iOS 8 or later. Supports iPhone 6 Plus, iPhone 6, iPhone 5S, iPhone 5C, iPhone 5, iPhone 4S and iPod touch (5th generation).

iPhone and iPod are registered trademarks of Apple Inc., registered in the U.S. and other countries.



Like us



Follow us



Watch our dang videos

Introduction

FreePlay™ is the ultimate all-in-one stereo PA solution. With a portable, battery-powerable design, FreePlay delivers powerful, full-range sound anytime, anywhere.

FreePlay features Bluetooth® technology for music streaming from any mobile device that can be mixed with vocal mics, guitars and more.

Plus, with the FreePlay Connect™ app, you get mobile freedom to control everything from levels and EQ to sound-enhancing tools like a feedback destroyer for amazing sound in any situation.

From the stage to the boardroom to the backyard, FreePlay delivers powerful, rich sound that inspires. Be you and be heard with FreePlay.

How to Use This Manual:

After this introduction, a getting started guide will help you get things set up fast. The hookup diagrams show some typical setups, while the remaining sections provide details of FreePlay.



This icon marks information that is critically important or unique to FreePlay. For your own good, read and remember them.



This icon leads you to in-depth explanations of features and practical tips. They usually have some valuable nuggets of information.



This icon draws attention to certain features and functions relating to the usage of FreePlay.

Things to Remember:

- Never listen to loud music for prolonged periods. Please see the Safety Instructions on page 2 for information on hearing protection.
- Save the shipping box and packing materials! You may need them someday. Besides, the cats will love playing in them and jumping out at you unexpectedly. Remember to pretend like you are surprised!
- Save your sales receipt in a safe place.

Getting Started

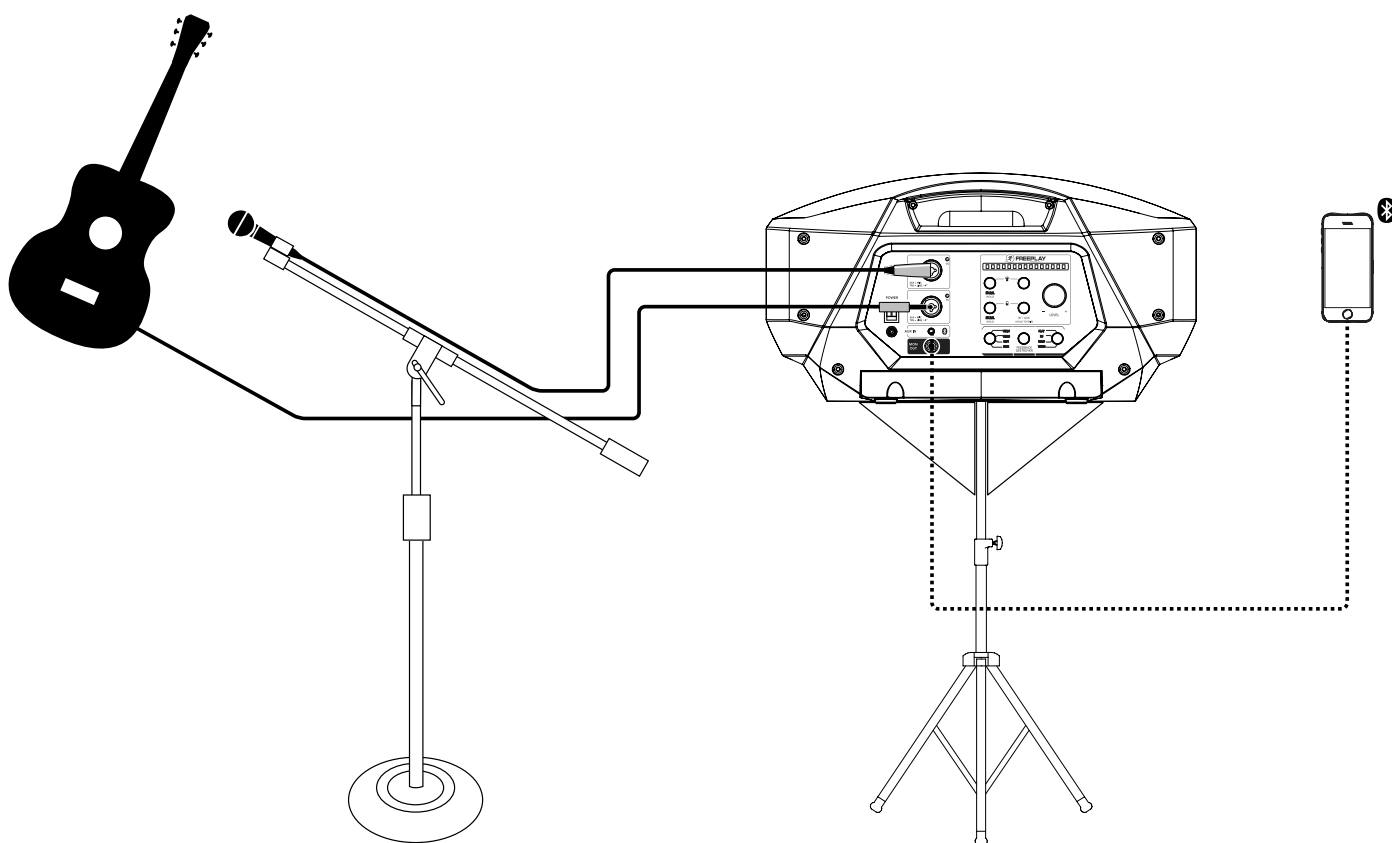
The following steps will help you set up FreePlay quickly.



These startup instructions are intended for the hardware only. Once proven that FreePlay performs as desired, then pair it with a smart phone and control it via the FreePlay Connect app (as detailed on page 8).

1. Make all initial connections with the power switch OFF.
2. Plug signal sources into FreePlay, such as:
 - Microphones plugged into the mic inputs.
 - Instrument level sources, such as acoustic guitars w/ active pickups into the instrument inputs
 - Line-level sources such as keyboards, drum machines, or MP3 players plugged into the line-level inputs.
 - Smartphone paired and connected via Bluetooth.
3. Connect the power adapter connector of the Power Block to FreePlay. Push the line cord securely into the Power Block and plug the other end into a grounded AC outlet.
4. Turn FreePlay on.
5. Be sure that the volume of the input is the same as it would be during normal use by selecting the input channel on the rear panel and turning the encoder to the right.
6. Slowly bring up the main output level to a comfortable listening level by selecting the main output on the rear panel and slowly turning the encoder to the right.
7. Read the rest of this manual and the FreePlay Connect app manual for more details!

Hookup Diagrams



FreePlay is the perfect tool for singer-songwriters busking at the local hot spots or touring the world on the highly coveted coffee shop tour.

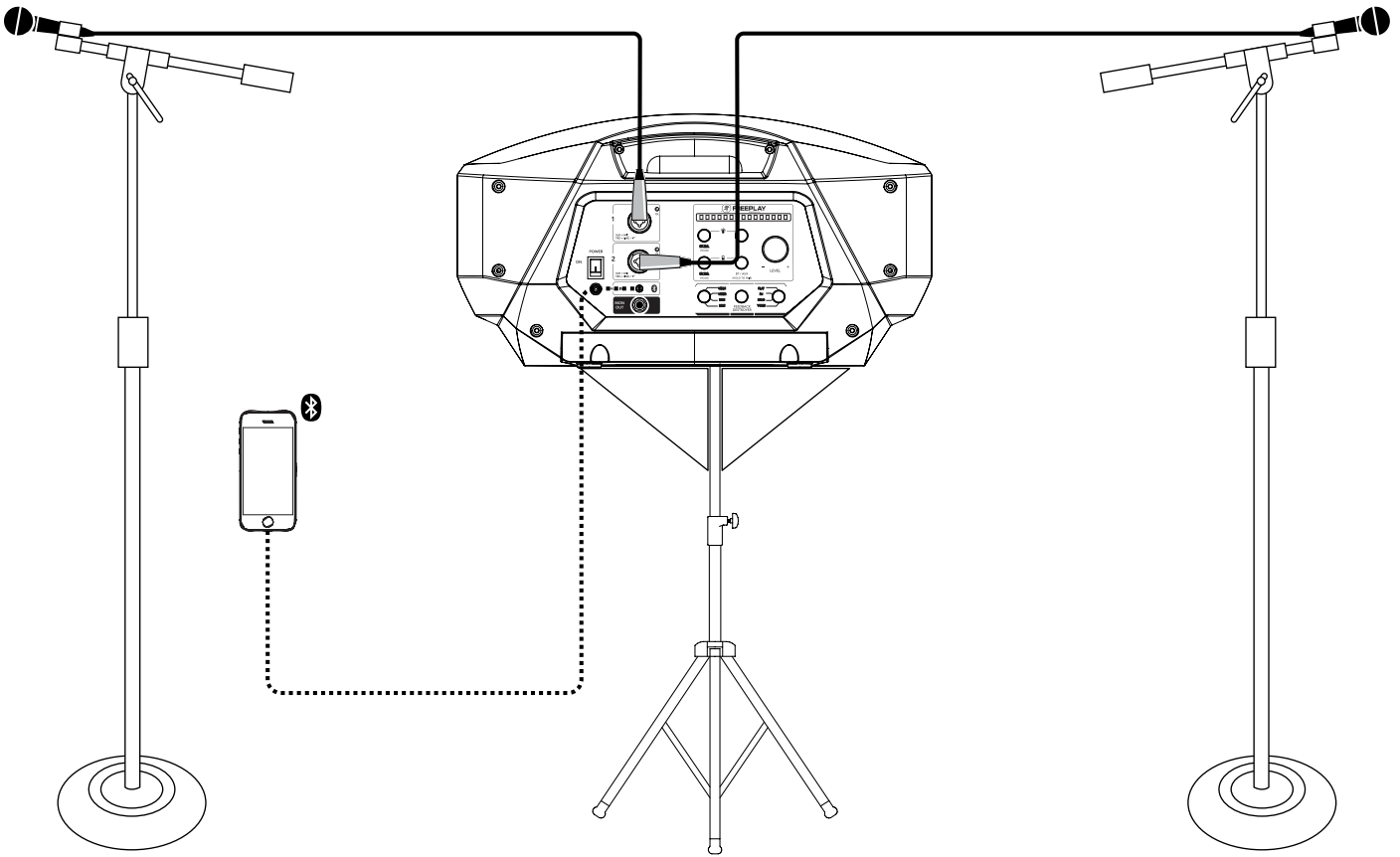
Along with FreePlay, bring your favorite axe and mic, cables and power cords. And your smart phone, too...don't forget that! With it, you're able to announce tour dates via social media. More importantly, you can connect to FreePlay via Bluetooth (or 1/8" input) and jam along to the backing tracks you added to your smart phone.

In this example, a mic is connected to the channel 1 input. Adjust the level as described on pages 8-9. Now grab your guitar and plug it directly into the channel 2 input. Adjust the level for the guitar now.

For the output, you will want to set an EQ mode, described in detail on page 10. For this type of setup, soloist mode works well. It has a nice low cut and a brilliant high end. Additionally, you can utilize the FreePlay's feedback destroyer [page 10] so it automatically kills any feedback while playing.

Café Setup

Hookup Diagrams continued...



FreePlay may be used for presentations and karaoke, too...and the setup can remain as-is for both!

In this example, mics are connected to the channel 1 and channel 2 input jacks and a smart phone is connected via Bluetooth (or 1/8" input). Setting levels is described on pages 8-9.

For the output, you will want to set an EQ mode, described in detail on page 10. For this type of setup, two EQ modes may be utilized: voice EQ mode and DJ EQ mode.

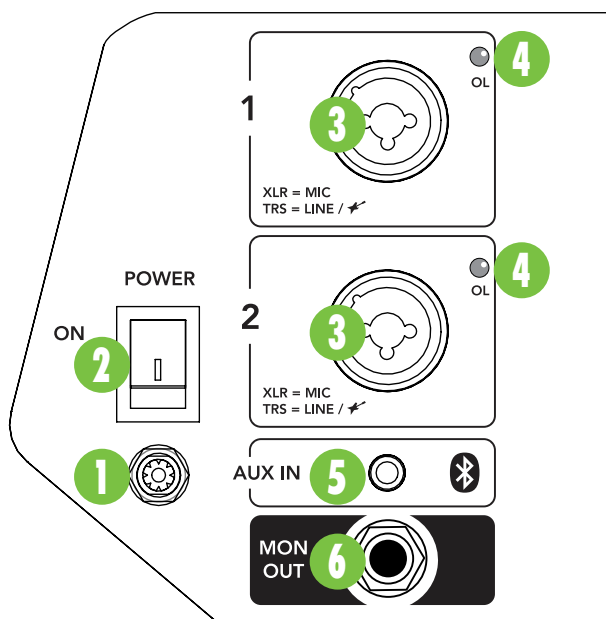
For starters, the voice EQ mode works well. It has a significant low frequency roll-off and adds crisp mid-range and high end. The presenter's introductory speech will be easy to hear and understand with clear, precise intelligibility. Well, at least it will unless they're talking with marbles in their mouth...

Let's get the party started! Once the speech(es) are over, switch FreePlay over to DJ EQ mode, add some reverb and load up your favorite karaoke app on your smart phone. Perhaps we can perform a duet together?

Don't forget to utilize FreePlay's feedback destroyer [page 10] to automatically kill any feedback.

Presentation / Karaoke Setup

FreePlay: Rear Panel Features



FreePlay Connect App

FreePlay is designed to be used in conjunction with the FreePlay Connect App for iPhone and iPod touch. With it, all of the hardware features listed here – and more! – may be controlled remotely via Bluetooth connection. The only thing the FreePlay Connect App can't do is turn the unit on and off or pair a Bluetooth device.

More information about the FreePlay Connect App may be found by visiting the FreePlay Connect App Reference Guide.

1. Power Connector

FreePlay has a universal external power supply that accepts any AC voltage ranging from 100 VAC to 240 VAC. No need for voltage select switches. It will work virtually anywhere in the world. That's why we call it a "Planet Earth" power supply! It is less susceptible to voltage sags or spikes compared to conventional power supplies, and provides greater electromagnetic isolation and better protection against AC line noise.

An external 20V DC power supply [aka The Power Block] and a line cord are included with the mixer. A barrel connector resides at the end of the cord attached to The Power Block. Attach it to the power connector on the FreePlay. Connect the female end of the line cord to The Power Block and plug the male end into a live grounded AC outlet. An LED on The Power Block will illuminate green to indicate success (whether FreePlay is powered on or not).



Warning: Disconnecting the plug's ground pin is dangerous. Don't do it! In fact, it's a bad idea to remove anything from (or add anything to) The Power Block or line cord. Again, don't do it!



FreePlay also works with standard alkaline D Cell batteries, or our own custom Lithium-Ion battery accessory, which can be purchased through any authorized dealer. More information about the Lithium-Ion battery accessory may be found by visiting the Lithium-Ion battery accessory Installation Instructions.

2. Power Switch

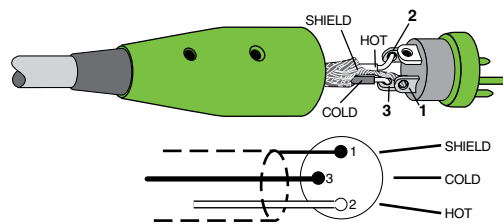
Press the top of this rocker switch inwards to turn FreePlay on and press the bottom of this rocker switch inwards to turn FreePlay off.

3. XLR and 1/4" Combo Inputs

Both input channels may accept a balanced mic or line-level signal using an XLR connector. They are wired as follows, according to standards specified by the AES (Audio Engineering Society).

XLR Balanced Wiring:

- Pin 1 = Shield (ground)
- Pin 2 = Positive (+ or hot)
- Pin 3 = Negative (– or cold)



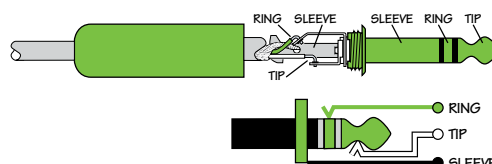
In addition to accepting balanced mic or line-level signals using an XLR connector, both channels may also accept 1/4" line-level signals driven by balanced or unbalanced sources.

Additionally, both channels may accept Hi-Z sources (such as guitars) via the 1/4" input without the need for a separate DI box.

To connect balanced lines to these inputs, use a 1/4" Tip-Ring-Sleeve (TRS) plug. "TRS" stands for Tip-Ring-Sleeve, the three connection points available on a stereo 1/4" or balanced phone jack or plug. TRS jacks and plugs are used for balanced signals and are wired as follows:

1/4" TRS Balanced Mono Wiring:

- Sleeve = Shield
- Tip = Hot (+)
- Ring = Cold (–)



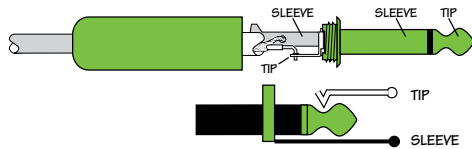
FreePlay: Rear Panel Features continued...

To connect unbalanced lines to these inputs, use a 1/4" mono (TS) phone plug, wired as follows:

1/4" TS Unbalanced Mono Wiring:

Sleeve = Shield

Tip = Hot (+)



VERY IMPORTANT NEVER connect the output of an amplifier directly to a FreePlay's input jack. This could damage the input circuitry and we wouldn't want that now, would we?

4. OL LEDs

This LED will illuminate red when the channel's input signal is too high, indicating a signal overload. This should be avoided, as distortion will occur. If the OL LED comes on regularly, check that the level is set correctly for the input device. The signal is at -2 dBu before hard clip begins.

5. Bluetooth / Aux In

The Bluetooth / Aux input channel may accept an 1/8" line-level or Bluetooth [stereo audio streaming] signal from a smartphone, MP3 player, or other signal source. This input level may be raised or lowered via FreePlay's endless rotary level knob or FreePlay Connect.



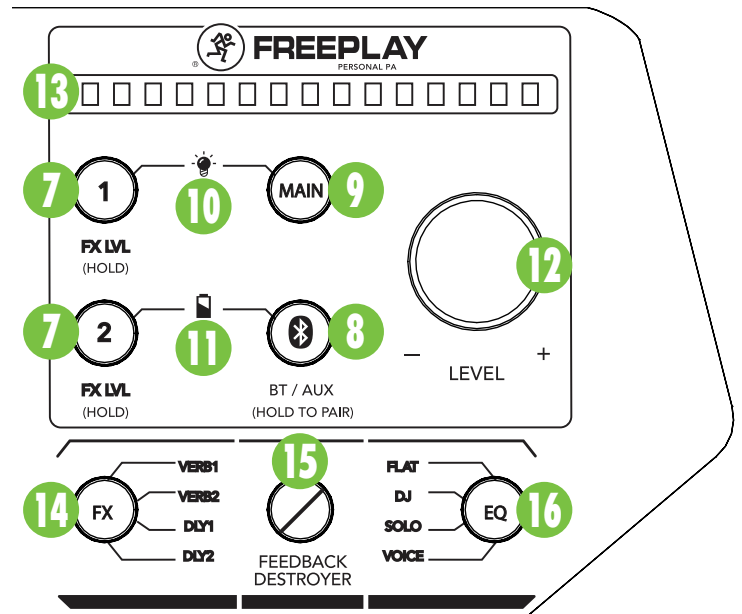
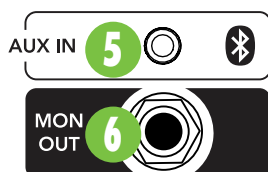
The Bluetooth may disconnect when affected by Electrostatic Discharge [ESD]. Manually reconnect the Bluetooth connection.



NEVER connect the output of an amplifier directly to a FreePlay's input jack. This could damage the input circuitry.



A Bluetooth connection and 1/8" line-level connection may NOT be used simultaneously. If there is a physical connection to the aux input, it will take priority over any Bluetooth connection. For example, if you are playing a song from a smart phone (connected via Bluetooth) and connect an MP3 player to the 1/8" jack, the smart phone song will be interrupted and the MP3 player now takes precedence.



6. Mon Out

This balanced 1/4" connector provides a mono-summed line-level output [i.e. copy of the main bus] that is designed for connecting a powered loudspeaker or subwoofer. It produces exactly the same signal that is connected to the input jack(s).

This signal is post main fader, meaning that devices fed by the Mon out will experience the same volume changes that FreePlay does (whether controlled from the hardware interface, or from the FreePlay Connect app.).

7. Channel 1 and 2 Buttons

Press the Channel 1 or 2 button to select it. It will illuminate white when selected. Once a channel is selected, be sure to raise or lower that channel's input level using the endless rotary level knob. The input level will be represented in the meters with white LEDs. After five seconds of inactivity, the selection changes back to the default "Main".

Press and hold the Channel 1 or 2 button to select and adjust that channel's FX send level. It will illuminate green when selected. Once a channel is selected, be sure to raise or lower that channel's FX send level using the endless rotary level knob. The FX send level will be represented in the meters with green LEDs. After five seconds of inactivity, the selection changes back to the default "Main".

FreePlay: Rear Panel Features continued...

8. BT / Aux

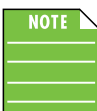
Press the BT / Aux button to select it. It will illuminate white when selected (whether a device is paired or not). Once selected, be sure to raise or lower the Bluetooth/Aux input level using the endless rotary level knob or FreePlay Connect. The input level will be represented in the meters with white LEDs. After five seconds of inactivity, the selection changes back to the default "Main".



To enter pairing mode, press and hold the BT / Aux button. The button LED will illuminate and flash white while in pairing mode. While FreePlay is in pairing mode, simultaneously scan for Bluetooth devices on your phone. You should see FreePlay appear in the "available devices" list. From there, your phone should indicate that it is successfully connected. If it does not, start the pairing process again, and make sure that FreePlay and your phone are both in pairing mode at the same time.



The Bluetooth may disconnect when affected by Electrostatic Discharge [ESD]. Manually reconnect the Bluetooth connection.



If no device is paired and a smart phone or MP3 player is plugged into the aux input, the Bluetooth channel controls the level for this input.

9. Main Button

Press the Main button to select it. It will illuminate white when selected. Once main is selected, be sure to raise or lower the output level using the endless rotary level knob or FreePlay Connect. The output level will be represented in the meters with white LEDs.

The main button is the default, so if any other button has been selected, it will revert back to main after five seconds of inactivity.

10. Running Man Logo On / Off

The Running Man logo on the front of the FreePlay illuminates when the channel "1" and "Main" buttons are pressed simultaneously. Follow the same steps to turn the Running Man logo off.

The Running Man logo also indicates battery life (as shown in the table above right).

11. Check Battery¹

FreePlay's Lithium-Ion battery level may be checked by holding the channel "2" and "BT / Aux" buttons simultaneously. The Running Man logo on the front of the FreePlay illuminates to indicate battery life:

Power Source / State	Running Man LED
No (or low) battery / AC Power	Solid Green
5%–100% / DC Power	Solid Green
0%–5% / DC Power	Solid Amber



You know how if a gas tank is empty, a car can't go anywhere, but the radio still works, you can roll the windows up and down, turn the AC or heat on, etc? Well, FreePlay works similarly. If the Running Man logo is solid red, there is enough power to run the onboard mixer and illuminate LEDs, but no sound will be output. And here you thought we were headed towards another "Easter Egg", another hidden gem. Nope, sorry. Simply a note to let you know it's time to recharge the batteries or plug the FreePlay in.

12. Level

This endless rotary knob serves multiple purposes, as it adjusts the input levels, FX send levels, and overall output level, depending on which input or output is currently selected.



The default selection is "Main". If another button is pressed, be sure to raise or lower the level within five seconds. After five seconds of inactivity, the selection changes back to the default "Main".

13. Meters

This 15-segment meter displays the input and output signal levels. They illuminate to indicate the level of the currently selected input or output level.

This is easily changed by selecting the input or output level you want to update followed by turning the level knob up (clockwise) or down (counter-clockwise).

The meters were designed to report not only level, but peak and average values of signal present, as well. So when you are adjusting levels, they reflect these adjustments. If you are simply metering – after 5-second timeout to Main – they will reflect output metering.

¹ This feature is specific to FreePlay's custom Lithium Ion battery level. It is not designed to report the battery level of standard D Cell batteries.

FreePlay: Rear Panel Features continued...

14. FX

FreePlay includes 16 “gig ready” effects, including various reverbs, delays, choruses and combinations of these, as well.

On the FreePlay, there are four preset effects to choose from, including Verb 1, Verb 2, Delay 1, or Delay 2. Simply press the FX button repeatedly until the FX you want illuminates green. After five seconds of inactivity, the selection changes back to the default “Main”.

Additional effects may be selected via FreePlay Connect. The app also adds control over the master FX return level. More information may be found in the FreePlay Connect Reference Guide.

Be sure to check out a more detailed description of each effect in Appendix C, page 18.



15. Feedback desTROyer

The multi-band Feedback Destroyer hunts down offending feedback frequencies and applies notch filters automatically to destroy feedback and maximize gain prior to feedback.

There are two Feedback Destroyer settings to choose from: off and on.

Off [Default] – The Feedback Destroyer is not engaged. Additionally, all filters clear when the Feedback Destroyer is turned off. The white backlit button will not illuminate if the Feedback Destroyer is off.

On – When the automatic Feedback Destroyer is turned on, scanning occurs continuously. The filters will engage sequentially when feedback is present until all are used and then it will be locked. If feedback is identified on an existing filter, the notch will deepen to further destroy the offending feedback frequency.

The button will illuminate white if the Feedback Destroyer is on.



Note that the Feedback Eliminator does not “store frequencies”, so it resets every time it is turned off.

After five seconds of inactivity, the selection changes back to the default “Main”.

16. EQ Mode

Here you are able to change the FreePlay’s EQ mode to tailor it to best suit your particular application.

On the FreePlay, there are four preset modes to choose from, including Flat, DJ, Soloist and Voice. Simply press the EQ button repeatedly until the EQ mode you want illuminates white.

Flat EQ Mode – This mode is exactly what it states it is...flat. No boost or cut made to the EQ.

DJ EQ Mode – This mode bumps the lows and highs, perfect for music playback.

Solo EQ Mode – This mode features a low frequency roll-off to get rid of unwanted thumps and adds boost and sparkle to mid-range and high frequencies. This mode is perfect for plug-and-play singer-songwriters.

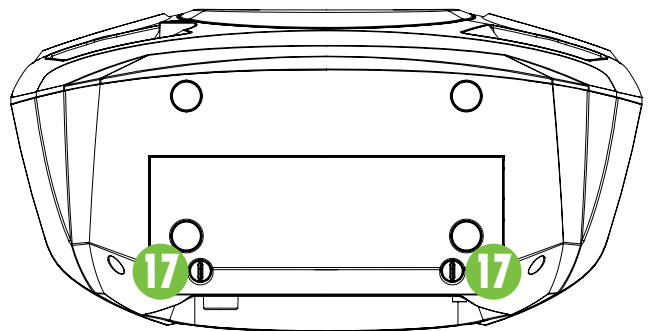
Voice EQ Mode – This mode features a significant low frequency roll-off to get rid of unwanted thumps. It also adds boost and sparkle to mid-range and high frequencies, critical for speech applications. This plug-and-play mode is perfect for larger venue applications where speech is the primary audio source in need of clear and precise intelligibility.

Additionally, FreePlay features 3-band EQ per channel, accessible via the FreePlay Connect app. More information may be found in the FreePlay Connect Reference Guide.

After five seconds of inactivity, the selection changes back to the default “Main”.

17. Battery Compartment

FreePlay is powered by the included power supply. But what if there is nowhere to plug it in – camping, yard sale, road trip, etc. – or perhaps you don’t have the power supply on you? Easy...use batteries!



The battery compartment is located on the bottom of FreePlay. Two locking tabs may be rotated counter-clockwise using a flathead screwdriver until they unlock and “pop” up.

Next, remove the battery compartment cover and place eight D-cell batteries as displayed inside the battery compartment.

Now replace the battery compartment cover and lock it back in place.



An optional Lithium Ion Battery accessory is available for purchase. This allows you to use a rechargeable pack instead of burning through a ton of expensive batteries.

More information about the Lithium Ion Battery may be found by visiting the Lithium Ion Battery Installation Instruction Sheet.

Kickstand / Pole Mount

FreePlay is primarily intended to sit on a flat, hard surface (such as a table, mantle, desk, etc.).

However, an optional kickstand / pole mount accessory is available for purchase, ideal for live performances. This allows you to either pole mount it to a standard speaker pole or “kick it back” to a 45° angle, perfect for busking!

More information about the Kickstand may be found by visiting the Kickstand Installation Instruction Sheet.

Factory Reset (aka Vulcan Mind Meld)

Since settings may be changed via FreePlay Connect, it may be necessary to reset the FreePlay Personal PA to its factory settings.

Please keep in mind that this erases all settings, including any levels, EQs, etc. that may have been set. Be sure to power down any amps and/or powered speakers before resetting FreePlay.

Simply press and hold the Main, Channel 2 and FX buttons simultaneously to reset the FreePlay Personal PA to its factory settings.



If you use the factory default key combination, you are also wiping the FreePlay's memory of previously paired devices. To remedy this, on your smartphone, tablet or other Bluetooth device, you will need to ‘forget device’ in the Bluetooth settings, then re-pair in order to regain communication and functionality.

AC Power

Be sure FreePlay is plugged into an outlet that is able to supply the correct voltage specified for your model. It will continue to operate at lower voltages, but will not reach full power.

Be sure the electrical service can supply enough amperage for all the components connected to it.

We recommend that a stiff (robust) supply of AC power be used because the amplifiers place high current demands on the AC line. The more power that is available on the line, the louder the speakers will play and the more peak output power will be available for a cleaner, punchier bass. A suspected problem of “poor bass performance” is often caused by a weak AC supply to the amplifiers.



Never remove the ground pin on the power cord or any other component of FreePlay. This is very dangerous.

Care and Maintenance

FreePlay will provide many years of reliable service if you follow these guidelines:

- Avoid exposing it to moisture. If it's set up outdoors, be sure it's under cover if rain is expected.
- Avoid exposure to extreme cold (below freezing temperatures). If you must operate FreePlay in a cold environment, – FreezePlay^{2?} – warm up the voice coils slowly by sending a low-level signal through them for about 15 minutes prior to high-power operation.
- Use a dry cloth to clean FreePlay. Only do this when the power is turned off. Avoid getting moisture into any of the openings.

² Today's tongue twister is brought to you by the legendary J. Geils Band. Try saying “FreePlay Freeze-Frame” ten times fast. Tough, huh?!

Appendix A: Service Information

If you think your FreePlay has a problem, please check out the following troubleshooting tips and do your best to confirm the problem. Visit the Support section of our website (www.720trees.com/support) where you will find lots of useful information such as FAQs and other documentation. You may find the answer to the problem without having to send your FreePlay away.

Troubleshooting

No power

- Our favorite question: Is it plugged in? Make sure the AC outlet is live [check with a tester or lamp].
- Our next favorite question: Is the power switch on? If not, try turning it on.
- Using batteries?
 - Are they fully charged?
 - Are they facing the correct direction?
- The internal AC line fuse may be blown. This is not a user serviceable part. If you suspect the AC line fuse is blown, please see the "Repair" section next.

No sound

- Is the input level control for the input source turned all the way down? Verify that all the level controls in the system are properly adjusted. Look at the level meter to ensure that the FreePlay is receiving a signal.
- Is the signal source working? Make sure the connecting cables are in good repair and securely connected at both ends. Make sure the output level control of the source is turned up sufficiently.
- Make sure the source(s) are not turned off or muted. If you find something like this, make sure the level is turned down before disengaging the offending switch.

Poor bass performance

- Poor bass performance may be the result of bad AC power. See the section titled 'AC Power' on the previous page for further details.

Poor sound

- Is it loud and distorted? Make sure that you're not overdriving a stage in the signal chain. Verify that all level controls are set properly.
- Is the input connector plugged completely into the jack? Be sure all connections are secure.

Noise

- Make sure all connections to the FreePlay are good and sound.
- Make sure none of the signal cables are routed near AC cables, power transformers, or other EMI-inducing devices.
- Is there a light dimmer or other SCR-based device on the same AC circuit as the FreePlay? Use an AC line filter or plug the FreePlay into a different AC circuit.

Hum

- Try disconnecting the cable connected to the main input jack. If the noise disappears, it could be a "ground loop," rather than a problem with the FreePlay. Try some of the following troubleshooting ideas:
- Use balanced connections throughout your system for the best noise rejection.
- Whenever possible, plug all the audio equipment's line cords into outlets which share a common ground. The distance between the outlets and the common ground should be as short as possible.

Bluetooth Issues

- Please email or call Technical Support if you are having Bluetooth connection issues:
 - techmail@loudtechinc.com
 - 1-800-898-3211

Repair

For warranty service, refer to the warranty information on page 19.

Non-warranty service for FreePlay is available at a factory-authorized service center. To locate the nearest service center, visit www.720trees.com, click "Support" and select "Locate a Service Center." Service for a FreePlay living outside the United States can be obtained through local dealers or distributors.

If you do not have access to our website, you may call the Tech Support department at 1-800-898-3211, Monday-Friday, during normal business hours, Pacific Time, to explain the problem. Tech Support will tell you where the nearest factory-authorized service center is located in your area.

Appendix B: Technical Information

FreePlay Specifications

Acoustic Performance:

Frequency Response (-10 dB)	65 Hz – 20 kHz
Frequency Response (-3 dB)	80 Hz – 20 kHz
Max peak SPL (@ 1m calculated) ¹	114 dB
Crossover Point	3.0 kHz
Dispersion	90°

Equalization

Low Shelving	±15 dB @ 80 Hz
Mid-Peaking	±15 dB @ 2.5 kHz
High Shelving	±15 dB @ 12 kHz
Increments	±3 dB

High-Frequency Section

Voice Coil Diameter	1.0 in / 25 mm
Horn Entry Diameter	1.0 in / 25 mm
Diaphragm Material	Polyethylene Naphthalate (PEN)
Magnet Material	Ferrite

Low-Frequency Section

Woofer Diameter	8.0 in / 203 mm
Voice Coil Diameter	1.2 in / 30 mm
Diaphragm Material	Treated Paper
Magnet Material	Ferrite

Power Amplifiers

System Power Amplification	
Rated Power	150 watts rms 300 watts peak
Low Frequency Power Amplifier	
Rated Power	75 watts rms 150 watts peak
Rated THD	1%
Cooling	Convection
Design	Class D
High Frequency Power Amplifier	
Rated Power	37 watts rms x2 75 watts peak x2
Rated THD	1%
Cooling	Convection
Design	Class D

System Processing

Channel EQ	3-band
Main EQ	4 voicing modes
FX	16 presets
Feedback Destroyer	On / Off

Input/Output

XLR	10 kΩ balanced
1/4" TRS	100 kΩ balanced
1/4" TS	400 kΩ unbalanced
1/8"	10 kΩ
Monitor Output	1/4" TRS balanced

¹ Calculated from driver sensitivity and amplifier power.

FreePlay Specifications continued...

Power

Line cord	100–240 VAC, 50/60 Hz Input, 1.5 Amps, 20 VDC Output, 3.25 Amps
AC Input Connector	IEC 60320 C7
Operating Temperature [extended ambient temperature]	0 to 40 °C 32 to 104 °F

Physical Properties

Height	9.5 in / 241 mm
Width	17.8 in / 452 mm
Depth	9.1 in / 231 mm
Weight	11 lb / 5 kg

Safety Features

Input Protection	Peak and RMS limiting, power supply and amplifier thermal protection
Display LEDs	Defeatable front power ON, Rear OL (Overload)
Status Info	Input and output levels, Battery level, FX on/off and level, Feedback Destroyer on/off, EQ speaker voicing on/off

Options

FreePlay Lithium Ion Battery	P/N 2043880-00
FreePlay Kickstand / Pole Mount	P/N 2043890-00
FreePlay Bag	P/N 2036809-28

Battery Information

Battery Type	Lithium Ion
Capacity	5200 mAh
Nominal Voltage	7.4 V DC
Operating Temperature Range	–20 to 60 °C
Charging Temperature Range	0 to 40 °C

Disclaimer

Since we are always striving to make our products better by incorporating new and improved materials, components, and manufacturing methods, we reserve the right to change these specifications at any time without notice.

The “Running Man” figure is a registered trademark of LOUD Technologies Inc.

All other brand names mentioned are trademarks or registered trademarks of their respective holders, and are hereby acknowledged.

©2015 LOUD Technologies Inc.
All Rights Reserved.

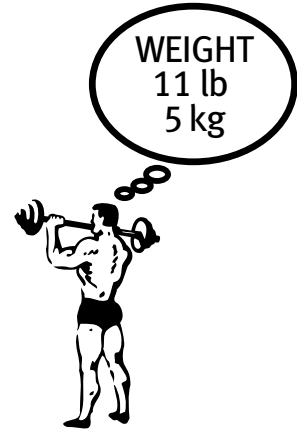
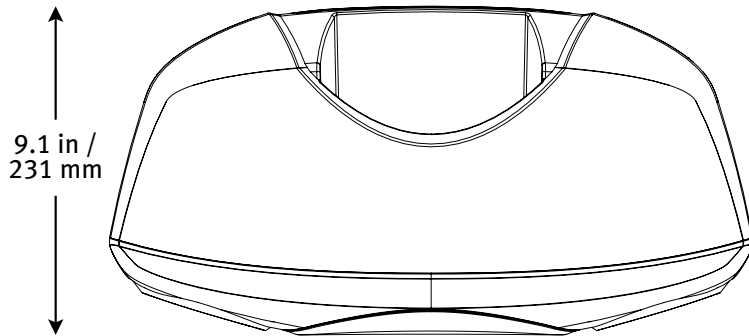
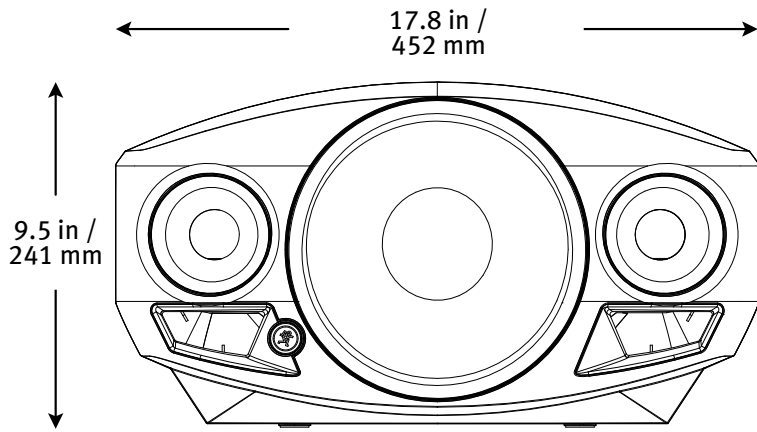
Bluetooth Information

Bluetooth Protocol	3.0
Bluetooth Function	Audio Streaming and User Interface Control

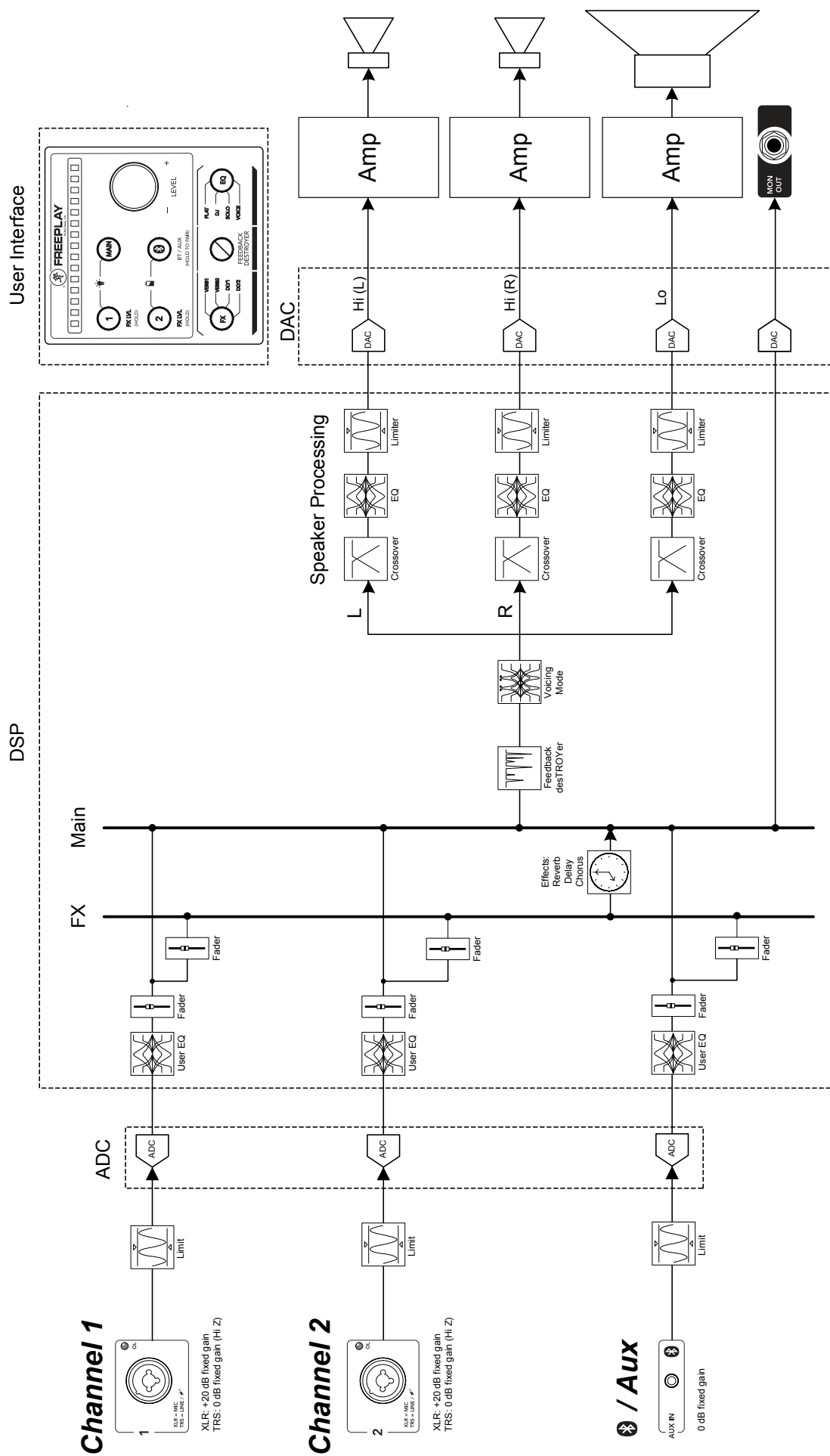
Construction Features

Cabinet	PC-ABS
Finish	High durability black paint
Handles	One on top
Grille	Powder-coated 21 gauge steel
Monitor Angle	45° (using optional kickstand)

FreePlay Dimensions



FreePlay Block Diagram



Appendix C: Table of Effects Presets

All FX listed below may be accessed via the FreePlay Connect App. Descriptions and examples of the four FX that are accessed via FreePlay [Verb 1, Verb 2, Delay 1 and Delay 2] are noted in the *Title* column.

No FX on FreePlay will illuminate when an FX is selected via the FreePlay Connect App.

Title	Description	Example of its use
Bright Room	This room has a bright tone with lots of scattered reflections to simulate harder, more reflective surfaces.	Useful on vocals that require a brighter reverb to cut through the mix, or for giving acoustic instruments a livelier vibe.
Warm Lounge	This preset features a medium sized room sound, with just enough enhancement of the lower mids to produce a warm tone.	Useful for vocals on songs that require a larger, more “wet” sound, or for giving dimension to bright horns without adding harshness.
Small Stage	This preset simulates the sound of a small concert stage, with a medium reverb time and reverberant space.	Useful for vocals or guitars in fast paced, high-energy songs that call for a “live” sounding reverberation.
Warm Theater [Verb 2 on FreePlay]	This reverb has a warm bodied tone and medium long reverb time to simulate the live acoustics of a theater space.	Perfect for vocals, drums, acoustic and electric guitars, keyboards and more.
Warm Hall	This reverb simulates the sound of a spacious, yet cozy, heavily draped and carpeted concert hall with an especially warm tone.	Perfect for adding natural concert hall ambience to close-mic’ed orchestral instruments.
Concert Hall	This hall reverb is characterized by its large, spacious sound, long pre-delay, and vibrant tone.	Adds life to acoustic instruments and vocals from solos to full-on symphonies and choirs.
Plate Reverb [Verb 1 on FreePlay]	This preset emulates vintage mechanical reverberation that was generated with a metal plate. Its sound is characterized by lots of early reflections and no pre-delay.	Perfect for thickening percussive instruments, such as a snare drum, or tight vocal arrangements.
Cathedral	This reverb emulates the extremely long tails, dense diffusion and long pre-delays and reflections that would be found in a very large, stone walled house of worship.	Gives amazing depth to choirs, wind instruments, organs and soft acoustic guitars.
Chorus	This preset provides a soft, ethereal sweeping effect that is useful for thickening and for making a particular sound pop out of the mix.	Perfect for enhancement of electric and acoustic guitar and bass, or to add a dramatic effect to vocals, particularly group harmonies and choirs.
Chorus + Reverb	This preset perfectly combines the chorus effect above with a large, roomy reverb.	This effect thickens the sound with chorus while adding warmth and spaciousness thanks to the smooth reverb.
Doubler	This effect simulates the sound of a vocal or instrument being recorded twice (double-tracked) on a multi-track recorder.	Provides a vibe that is similar to chorus without the subtle swirl.
Tape Slap [Delay 1 on FreePlay]	This effect provides a single, relatively rapid delay of the original signal, with the added warmth that vintage tape-based echo units provided.	Often used on vocals for a 1950’s era feel, or on guitars for a surf-type tone. Often used by people whose favorite number is 13.
Delay 1 [Delay 2 on FreePlay]	This preset provides 300 ms delay. The smaller the delay time, the faster the delay.	This FX works best with full, up-beat music like rock where the delay needs to cut through the mix.
Delay 2	This preset provides 380 ms delay. The smaller the delay time, the faster the delay.	This FX works best with full, up-beat music like rock where the delay needs to cut through the mix.
Delay 3	This preset provides 480 ms delay. The smaller the delay time, the faster the delay.	This FX works best with full, up-beat music like rock where the delay needs to cut through the mix.
Reverb + Delay	This effect combines the Warm Theater reverb effect with the echoes of the 3-repeat delay effect.	Perfect for thickening vocals while adding dimensions, it can also be used as a spacey effect on electric guitars.

Limited Warranty

Please keep your sales receipt in a safe place.

This Limited Product Warranty ("Product Warranty") is provided by LOUD Technologies Inc. ("LOUD") and is applicable to products purchased in the United States or Canada through a LOUD-authorized reseller or dealer. The Product Warranty will not extend to anyone other than the original purchaser of the product (hereinafter, "Customer," "you" or "your").

For products purchased outside the U.S. or Canada, please visit www.720trees.com/warranty to find contact information for your local distributor, and information on any warranty coverage provided by the distributor in your local market.

LOUD warrants to Customer that the product will be free from defects in materials and workmanship under normal use during the Warranty Period. If the product fails to conform to the warranty then LOUD or its authorized service representative will at its option, either repair or replace any such nonconforming product, provided that Customer gives notice of the noncompliance within the Warranty Period to the Company at: www.720trees.com/support or by calling LOUD technical support at 1.800.898.3211 (toll-free in the U.S. and Canada) during normal business hours Pacific Time, excluding weekends or LOUD holidays. Please retain the original dated sales receipt as evidence of the date of purchase. You will need it to obtain any warranty service.

For full terms and conditions, as well as the specific duration of the Warranty for this product, please visit www.720trees.com/warranty.

The Product Warranty, together with your invoice or receipt, and the terms and conditions located at www.720trees.com/warranty constitutes the entire agreement, and supersedes any and all prior agreements between LOUD and Customer related to the subject matter hereof. No amendment, modification or waiver of any of the provisions of this Product Warranty will be valid unless set forth in a written instrument signed by the party to be bound thereby.

Need help with FreePlay?

- Visit www.720trees.com and click Support to find: FAQs, manuals, addendums, and other documents.
- Email us at: techmail@loudtechinc.com.
- Telephone 1-800-898-3211 to speak with one of our splendid technical support chaps (Monday through Friday, normal business hours, Pacific Time).



16220 Wood-Red Road NE
Woodinville, WA 98072 • USA
Phone: 425.487.4333
Toll-free: 800.898.3211
Fax: 425.487.4337
www.720trees.com
