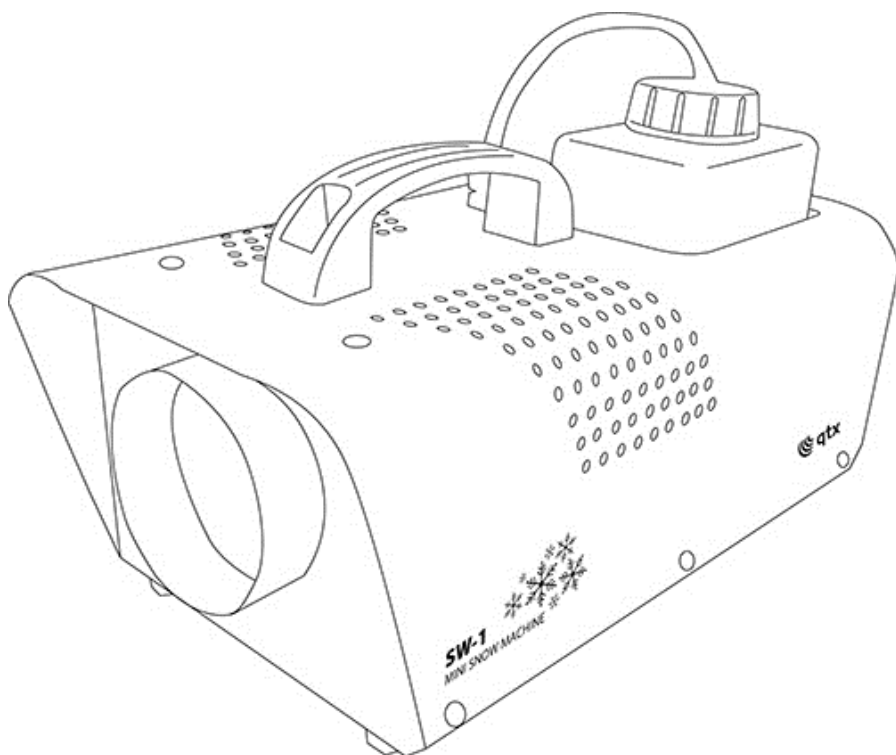


SW-1 SNOW MACHINE

Order ref: 160.569UK

User Manual



VERSION 1.0

INTRODUCTION:

SW-1 MINI SNOW MACHINE

Guaranteed to bring a seasonal winter feel to any party or event. This compact unit will produce artificial snow over a distance of 6 metres. Ideal for mobile DJs and small parties

- Ideal addition to a party.
- Integral wired remote with 2.5m lead
- Built-in 1.2 litre fluid tank

PACKAGE CONTENTS:

Please check the contents to ensure that the product has been received in good condition.

SW-1 Snow Machine x 1pcs	User's Guide x 1pcs
Power Cord x 1pcs	1 x Remote control

If you find any accessory is missing or the machine has arrived with any problems, please contact your local dealer at once. Do not try to fix this item yourself or you will lose the warranty. Please keep the original package and invoice for any possible replacement or returned demand.

RECOMMENDED FLUID:

For the SW-1 snow machine we strongly recommend the following fluid which has been specifically formulated to perform best with this machine.

QTX Ref Code	Description	Size	Results
160.578UK	High quality snow fluid	1 Litre	High quality long lasting snow effect
160.579UK		5 Litre	

SETUP:

1. Unpack the snow machine
2. Unscrew the top cap of the tank and remove to fill with the recommended snow fluid
3. Replace the bottle and screw the cap securely ensuring the pipe is fed down to the bottom of the bottle so a consistent flow of fluid is supplied to the machine
4. Connect the remote control
5. Connect the IEC mains plug and power up
6. Press the button on the remote control for 5 seconds so the fluid has a chance to flow through the heater block making it ready to use..
7. After this you will be able to use the snow machine by pressing the button on the remote when you require. Note it is normal for the machine to make a loud noise during use.


CAUTION! TO PREVENT MORTAL ELECTRICAL RISK AND LONG LIFE OPERATION:

For your safety, please kindly pay attention to all of the warnings listed below:

- Always plug in the power plug last and disconnect from the mains when the device is not in use or before cleaning.
- Do not install and operate the device in rain or extreme heat, moisture or dusty environments.
- This device is for indoor use only and in a dry environment.
- Do not switch on immediately but wait until it reaches to room temperature if the device has been exposed to drastic temperature fluctuations.
- Do not shake the device and avoid brute force when installing or operating
- Do not use the device during thunderstorms and please disconnect the power.
- Do not use solvents or aggressive detergent to clean the device. Use a soft and clean cloth.
- Do not modify the device or the connected power cord without authorisation.

CONNECT WITH POWER SUPPLY – THE GROUND WIRE MUST BE CONNECTED:

Use the plug to connect to the main power supply as follows:

Wire	Connection	International signal
Brown	Live	L
Blue	Neutral	N
Yellow /Cyan	Earth	

QUICK TROUBLE SHOOTING

If the unit is not functioning properly

- Check if main power is on.
- Check the fuse hasn't blown.
- Check the unit isn't in DMX mode.

REPLACING FUSE

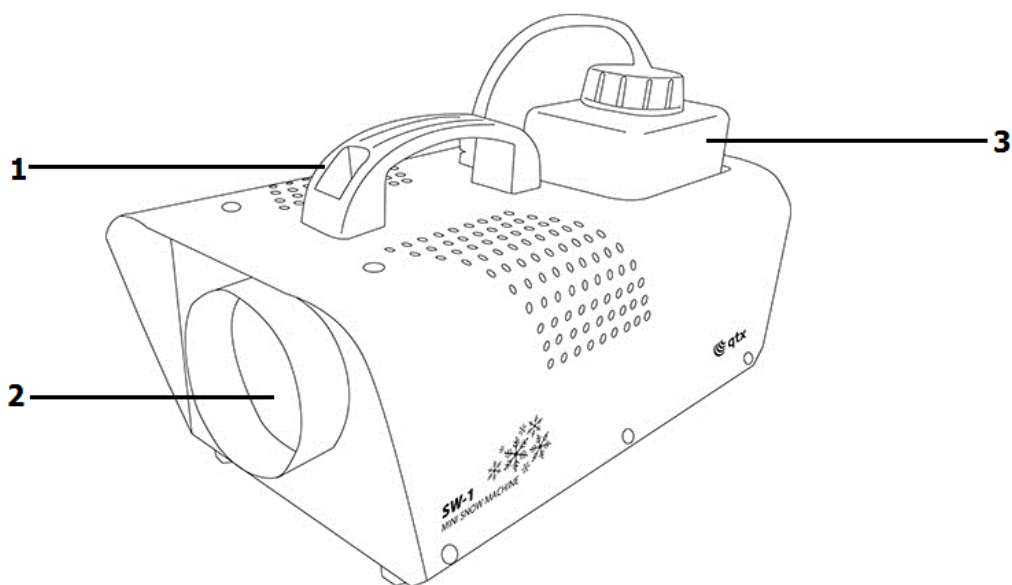
Disconnect from the main power supply first, then remove the fuse holder above the IEC Socket to reveal the fuse. Replace the correct fuse rating as stated on lighting or user guide. Then, lock the fuse holder cover back into place.

GENERAL MAINTENANCE

To maintain optimum performance and minimize wear, the item should be cleaned frequently. Usage and environment are contributing factors in determining frequency. As a general rule, fixtures should be cleaned after use to avoid dust build-up and blockages, which can result in poor performances, overheating and breakages. Be sure to power off fixture before conducting maintenance.

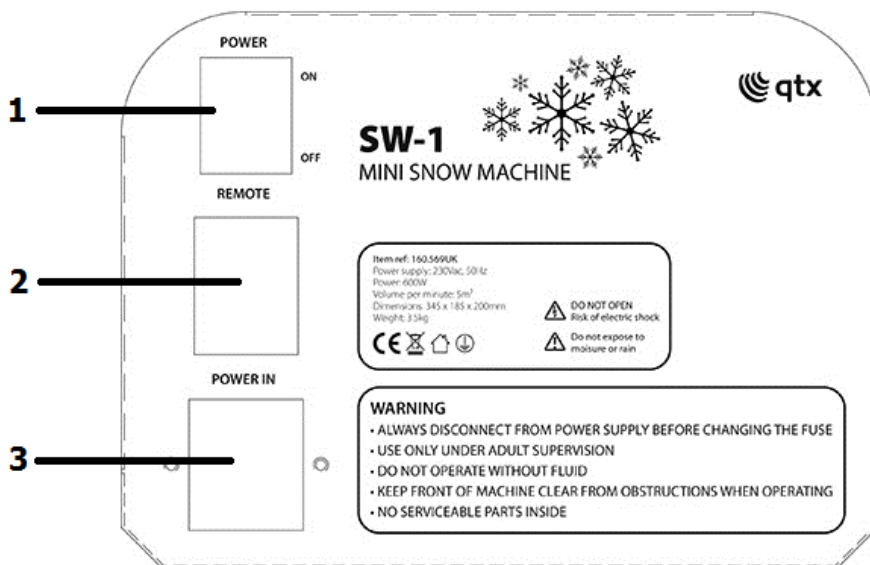
Unplug fixture from power. Use a vacuum or air compressor and a soft brush to remove dust collected on external vents and internal components. Clean the external case when the fixture is cold with a dry cloth or tissue, and drag dirt and grime to the outside case.

LAYOUT SW-1:



1. Carry handle
2. Output nozzle
3. Removable fluid tank

REAR PANAL SW-1:



1. Power ON/OFF Switch
2. Remote connection ONLY
3. IEC Connection (Power IN)

TECHNICAL SPECIFICATION

Power supply	230Vac, 50Hz
Fuse	F3A
Motor Power	600W
Volume per minute	5m
Dimensions	345 x 185 x 200mm
Weight	3.5kg

DISPOSAL:



Please disposal of the unserviceable device according to the current statutory requirements.