

Technical Manual



JBL JRX118SP/230

SPECIFICATIONS

ACOUSTIC & ELECTRICAL SPECIFICATIONS:

- Nominal Impedance: 4 Ohms
- Amplifier Power: 300W
- Frequency Range: 38Hz – 300 Hz (-10dB)
- Sensitivity: 96dB SPL (1 Watt at 1 Meter)
- Crossover Frequency: 300Hz

SYSTEM COMPONENTS:

- Cabinet: Enclosure (Not For Sale)
- Grille: 352838-001
- Low Frequency Transducer: 2043G, 460mm (18 in.) Cone Transducer
- DC Resistance: 2.6 ohm

AURAL SWEEP TEST SPECIFICATIONS:

- A. System Aural Sweep Test: 0.5 Vrms for 300 W Output (Sub Level Control Fully Clock-Wise) Sweep 20 Hz to 150 Hz
- B. L.F. Aural Sweep Test: 10.0V Input, 20 Hz to 1.2 kHz

PHYSICAL SPECIFICATIONS:

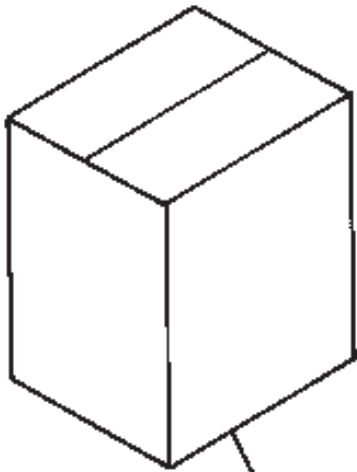
- Enclosure Dimensions: 597mm x 516mm x 597mm D (23.5 x 20.3 x 23.5 in. D)
- Net Weight: 89 lbs. (40.4 kg.)

WARRANTY INFORMATION:

- Refer to Warranty Statement packed with each product.

PACKAGE

Warranty 59660
Spec Sheet 352941-001



Carton
352926-003

Filler (2)
352986-001

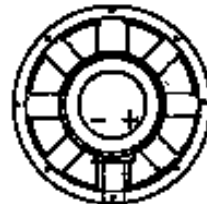
PKG, Microfoam (16)
49790P
20" x 18"



AC Cord
425-00000-00

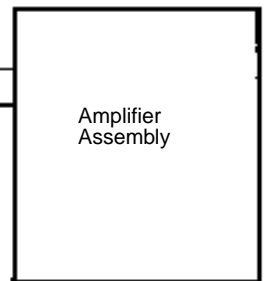
WIRING DIAGRAM

Driver, Low Freq
2043G
(352938-001X)
Cone Repl
C4R2043



RED

BLK



Amplifier
Assembly

JBL JRX118SP/230

COMPONENT EXPLODED VIEW

Main PCB
351044-001

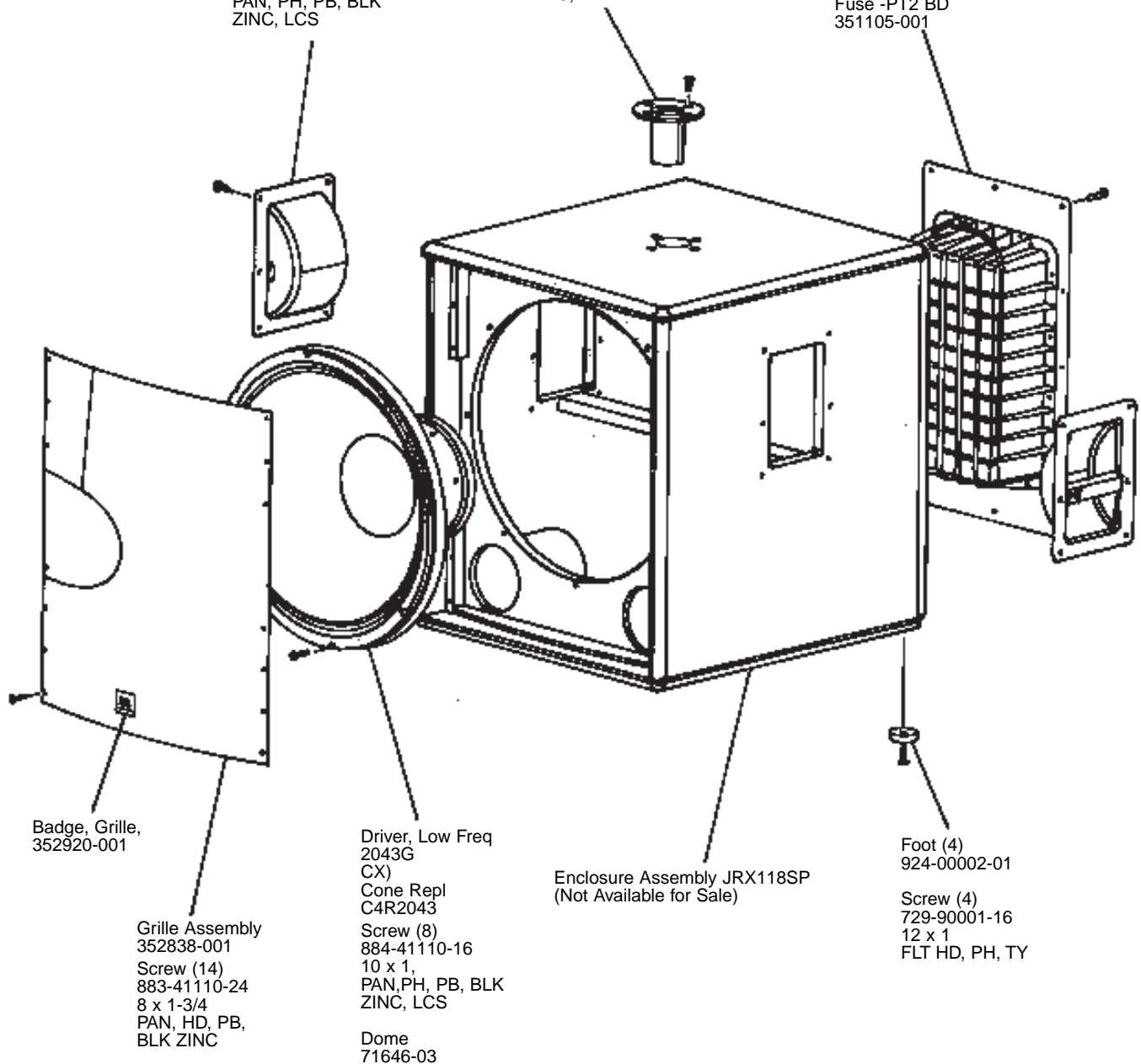
Screw (12)
883-41110-16
8 x 1, PAN, PH,
PB, BLK, ZINC, LCS

Input PCB
351086-001

Fuse -PT2 BD
351105-001

Handle Assembly (2)
339018-002
Screw (12)
883-41110-12
8 x 3/4
PAN, PH, PB, BLK
ZINC, LCS

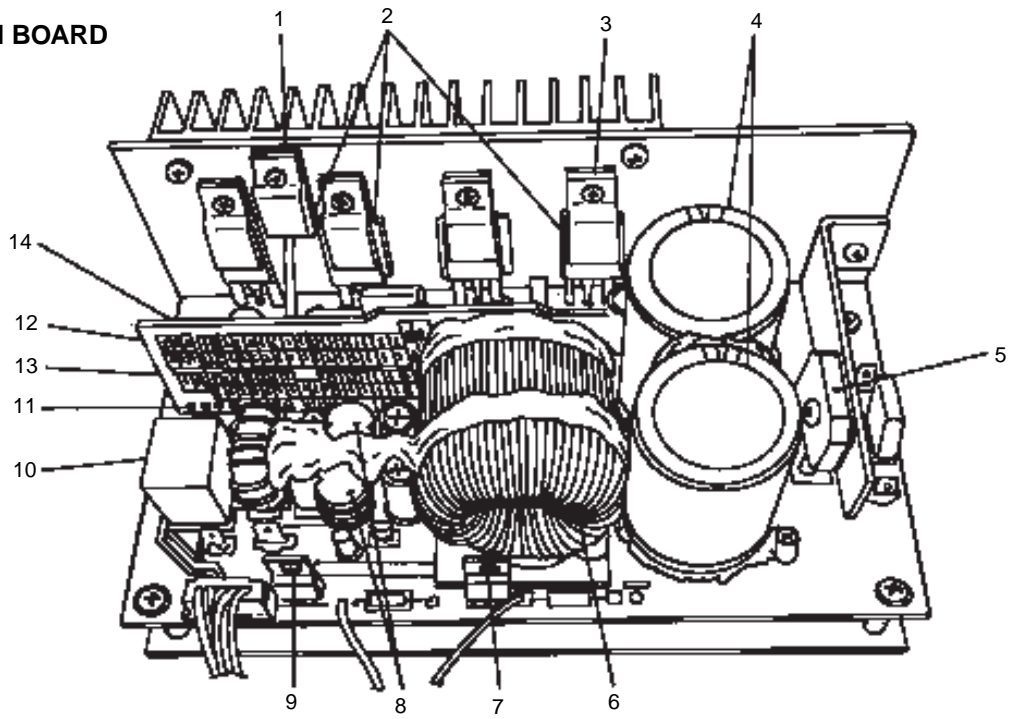
Stand Cup
339268-002
Screw (4)
806-11010-20
1/4-20 x 1-1/4
FLT, PH, UNC, BLK
ZINC, L



JBL JRX118SP/230

COMPONENTS

MAIN BOARD

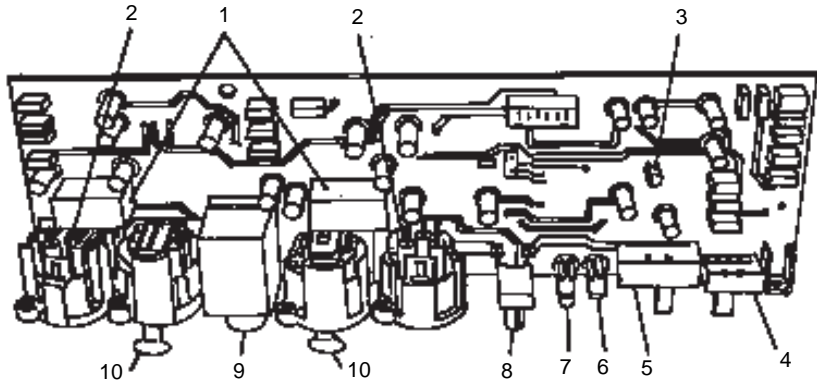


COMPONENT PARTS LIST: Main PCB 351044-001

Item	Part No.	Qty	Description	Ref. Des.
1	351047-001	1	TSE-103 K L:50MM	TH1
2	351056-001	4	IRFP250N	Q11,13,15,17
3	351036-001	5	Brkt Pwr Transistor	P. Transistors
4	351049-001	2	10000 UF63V	C1, C4
5	351059-001	1	400V, 8A	BR1
6	351053-001	1	70UH	L8
7	351060-001	1	LM317T	Q6

Item	Part No.	Qty	Description	Ref. Des.
8	351051-001	2	30MH	L9, L10
9	351061-001	2	LM337T	Q8
10	351070-001	1	48VDC RELAY	RLY1
11	351052-001	1	56 UH	L12
12	351072-001	1	JRX118SP DRIVE	PIN 1 A
13	351398-001	1	7 PIN CONN	
14	331399-001	1	11 PIN CONN	

INPUT BOARD



COMPONENT PARTS LIST: Input PCB 351086-001

Item	Part No.	Qty	Description	Ref. Des.
1	351104-001	2	TRS-5VDC	K1, K2
2	351098-001	2	PN: NC3MAH	JK201,JK204
3	351090-001	1	J113	Q206
4	351103-001	1	PO12BA-PA8 SW	S202
5	351102-001	1	P242BLB-PC10 SW	S201/SW201

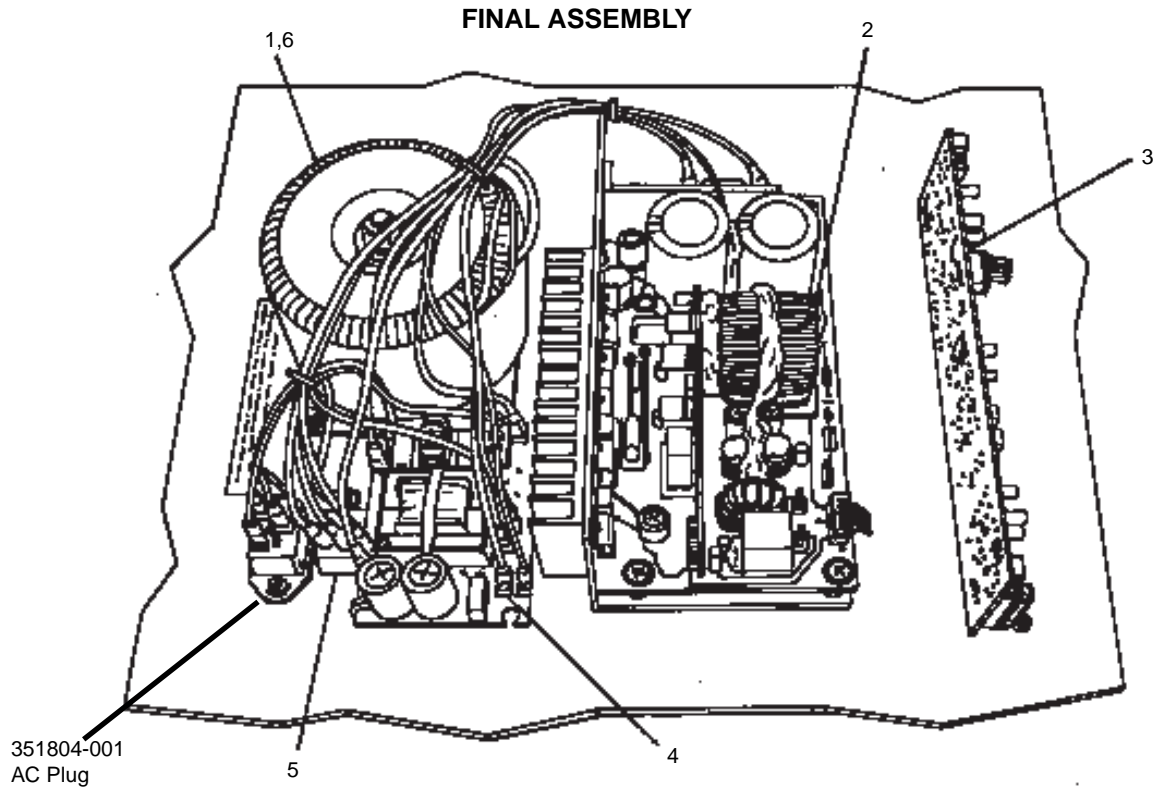
Item	Part No.	Qty	Description	Ref. Des.
6	351089-001		PN: LT6431-81	D213
7	351088-001	1	PN: LT6421-81	D210
8	351087-001	1	PN: RD09L1120032-EJ	VR201
9	351100-001	1	PN: SCJ628R3 NAS1B00	JK1
10	351099-001	2	XLR (NEUTRIK)	JK202,JK204

JBL JRX118SP/230

JBL JRX118SP/230

JBL JRX118SP/230

COMPONENTS



COMPONENT PARTS LIST: Final Assembly

Item	Part No.	Qty	Description
1	351032-001	1	PN:TTO-10654-01 Toroid Transformer 120V
2	351044-001	1	Main
3	351086-001	1	JRX118SP Pre PCB
4	351105-001	1	Fuse/PT2 BD
5	351255-001	1	Power Switch
6	352329-001	1	PN;TTO-10655-02 Toroid Transformer 220V

FUSE – PT2 BD

COMPONENT PARTS LIST: Fuse PT2 BD 351105-001

Item	Part No.	Qty	Description	Ref. Des.
1	351109-001	1	200V, 2A	BR2
2	351106-001	2	4700UF/25V 85C	C15, C16
3	351107-001	1	PN:XG275M224VHS2	CXAC18
4	351108-001	1	324UH	L13
5	351111-001	1	7A/250V 5X20MM	F1

Fuse Holder, 351110-001

