



## RØDE SOUNDBOOTH now for Broadcast mics

Hear and compare RØDE microphones  
at [www.rodemic.com/soundbooth](http://www.rodemic.com/soundbooth) or on your iPad®



# VideoMic™

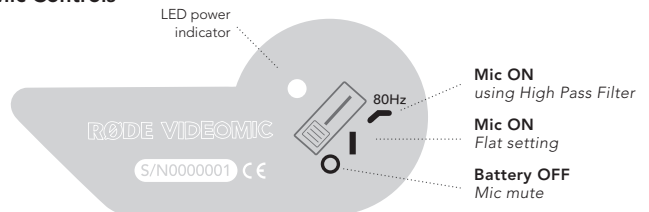
## quickstart guide

### VideoMic™ Parts Guide



1. Foam windshield
2. Camera shoe mount
3. Battery cover
4. PAD switch (inside battery compartment)
5. LED power indicator
6. Power and HPF switch
7. Integrated Rycote® Lyre® suspension
8. 3.5mm dual mono output cable

### Mic Controls



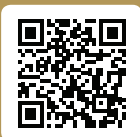
The High Pass Filter (HPF) is a low frequency cut-off setting, which you can use to remove rumble, camera noise or other low frequency noise while recording.



The RØDE VideoMic™ features an integrated shock mount based on Rycote® Lyre® technology. Constructed from a single piece of hard-wearing thermoplastic, the Lyre® provides superior acoustic suspension to traditional elastic solutions, and will never wear out, sag or snap.

## DON'T FORGET

to register for your  
**FREE ten year warranty!**



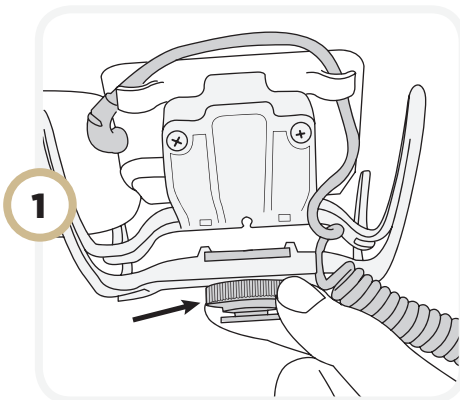
Scan the QR code to  
register now, or visit  
[warranty.rodemic.com/videoMIC](http://warranty.rodemic.com/videoMIC)

# RØDE

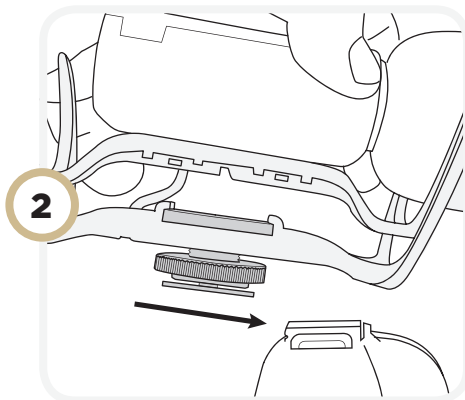
MICROPHONES

[www.rodemic.com](http://www.rodemic.com)

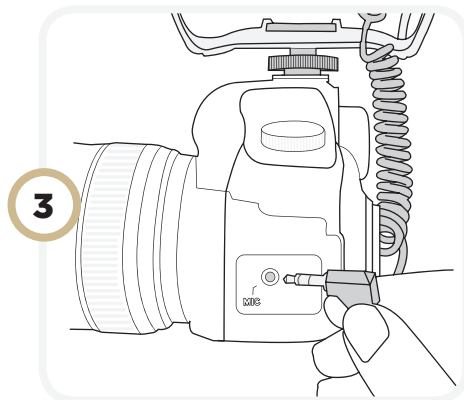
## mounting to camera



1. Turn the tightening ring counter-clockwise to loosen the camera shoe connection, before attaching to camera.



2. Slide the camera-shoe into place on the camera mount. When the mic is in place, secure it by gently tightening the ring clockwise.



3. Connect the VideoMic's audio lead to the camera's "Audio In" or "Mic" socket, and secure the cable in place using the in-built cable clips (see below).

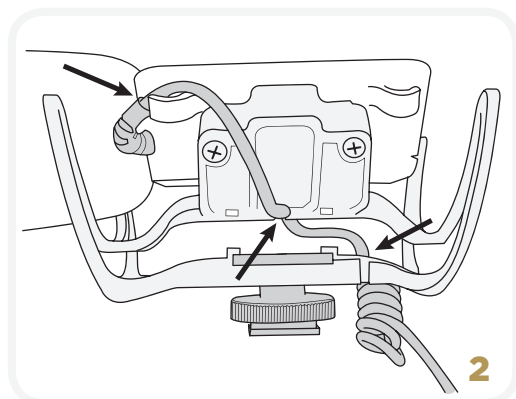
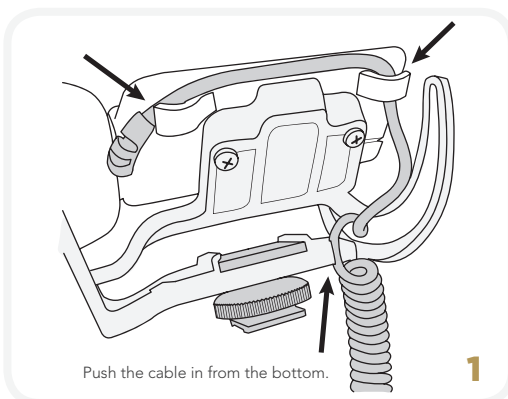
## securing the cable

Securing the cable will eliminate undesired noise caused by cable movement.

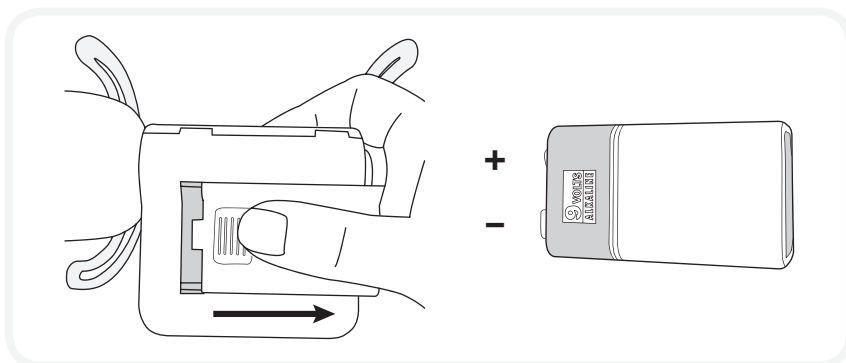
The cable can be secured in one of two orientations, depending on the location of your camera's "Audio In" socket.

See diagram 1 for cameras with mic socket on the **left**.

See diagram 2 for cameras with mic socket on the **right**.



## battery

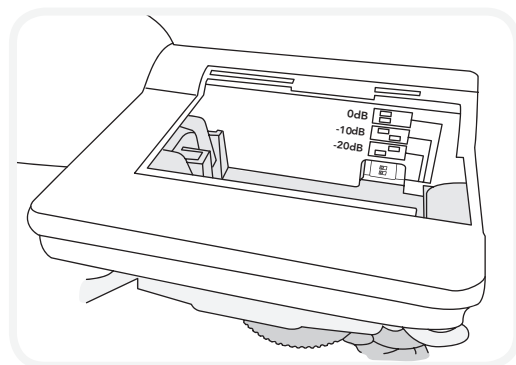


To change the battery, gently push and slide the battery cover off. Insert a **standard 9V** battery with the positive (+) end upwards.

The VideoMic uses a **standard 9V** battery. With a good quality Alkaline or Lithium battery, the VideoMic will run for up to 100 continuous hours. We recommend you remove the battery if storing your VideoMic for extended periods without use.

The **LED power indicator** next to the On/Off switch will turn red when the battery is running low. The mic will work for approximately one hour once the red indicator is lit, however with reduced performance.

## PAD switch



The VideoMic comes with a three-position **PAD switch** which is located inside the battery compartment.

The PAD provides a selectable 10 or 20db reduction of the input sensitivity, reducing the output level when recording loud sound sources, so that the optimal level can be achieved in a wide range of situations.