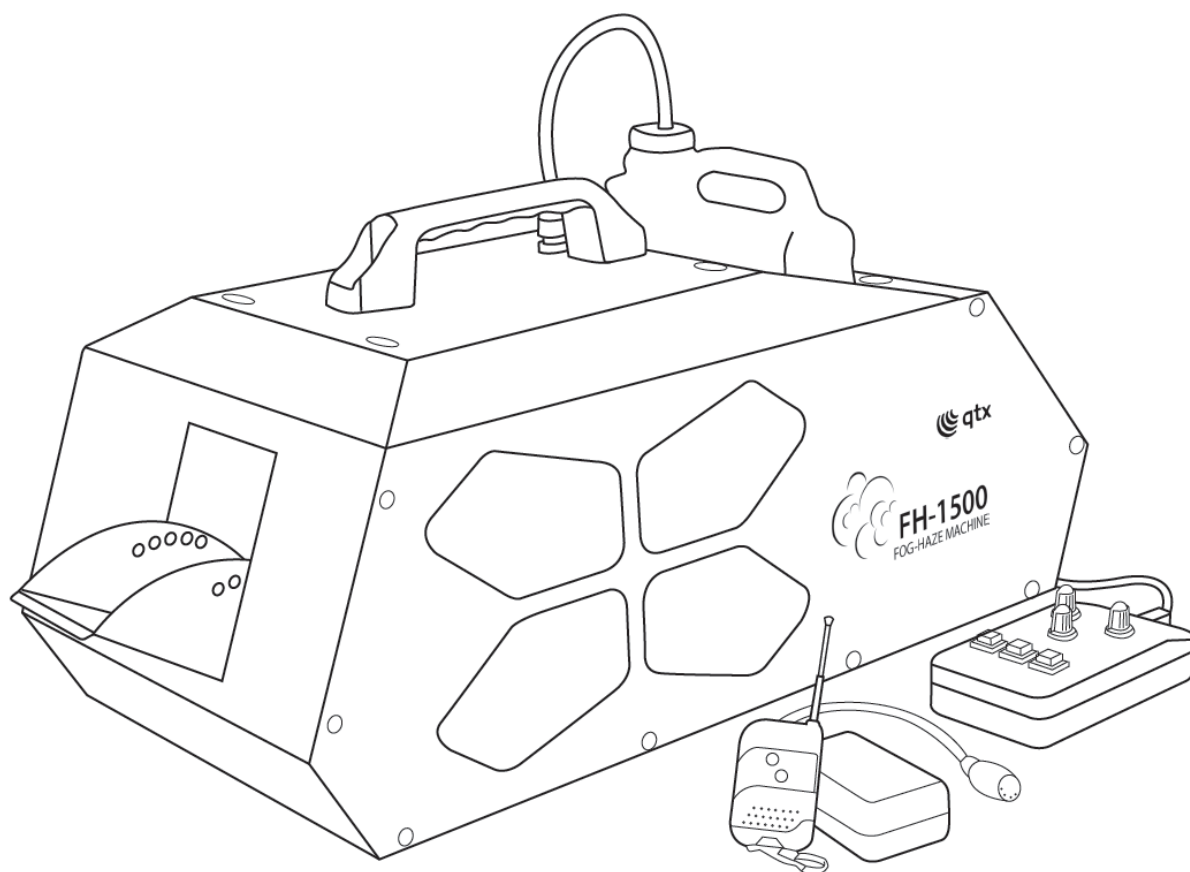


## FH-1500

FOG/HAZE MACHINE

Item ref: 160.465UK

User Manual





Caution: Please read this manual carefully before operating  
Damage caused by misuse is not covered by the warranty

## Introduction

Thank you for choosing the FH-1500 fog/haze machine for stage and events special effects. This product is designed to produce variable fog and haze for atmospheric special effects. Please read these instructions fully in order to gain the best results from this item and avoid damage to the unit through misuse.

## Unpacking

Your FH-1500 should reach you in good condition and should be supplied with IEC mains lead(s), wired remote timer control, wireless plug-in receiver and key fob remote.  
If there are any signs of damage or items missing from the packaging, contact your dealer immediately.

## Warning

To prevent risk of fire or electric shock, do not expose electrical parts to rain or moisture.  
If liquids are spilled on areas other than inside the fluid tank, disconnect the mains, allow the FH-1500 to dry out and have it checked by qualified personnel before further use.  
Avoid any impact, dropping or extreme pressure to the housing.  
No user serviceable parts inside - do not open the case.  
Allow the FH-1500 to acclimatize to room temperature before operating.  
Refer all servicing to qualified service personnel.

## Placement

The FH-1500 has a built-in fluid container and should be operated in an upright position.  
Ensure that the FH-1500 is positioned on a stable, non-slip surface.  
Allow adequate air-flow around the unit as this is critical to the function and safety of the FH-1500.  
Allow adequate space for access to the controls and to avoid straining cables and connections.  
When moving or carrying the FH-1500, use the top-mounted handle.

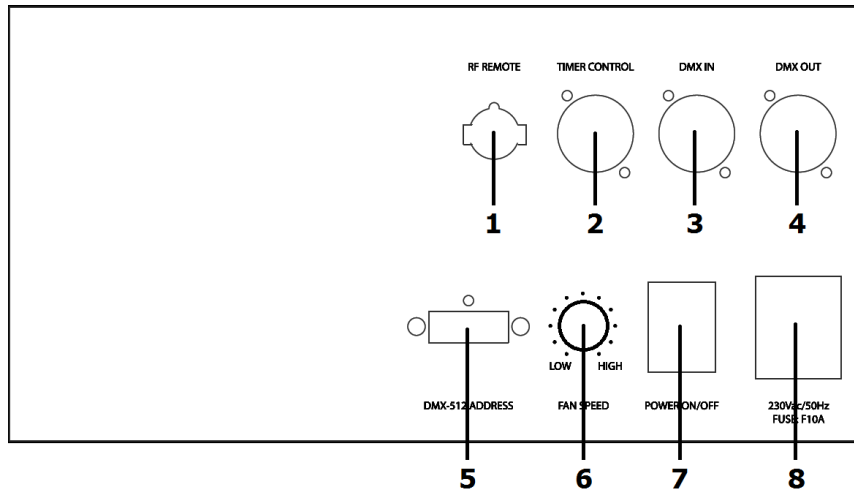
## Safety

- Check for correct mains voltage and condition of IEC lead before connecting to power outlet
- Check the condition of the remote lead and ensure that it is not trapped
- This unit must be earthed
- This unit uses a heating element – be aware that parts of the housing may be hot whilst in use!

## Cleaning

- Use a soft dry or slightly damp to clean the casing
- Do not use strong solvents for cleaning the unit
- Clean the haze mechanism periodically by operating with distilled water instead of haze fluid
- It is also recommended to use fog machine cleaning fluid (160.670UK) periodically

## Rear Panel



- |  |   |
|--|---|
| 1. Wireless remote receiver connection (5-pin DIN) | 5. DMX channel setting DIP switches       |
| 2. Remote timer control connection (5-pin XLR)     | 6. Fan speed rotary control               |
| 3. DMX in connection (3-pin XLR)                   | 7. Mains power on/off rocker switch       |
| 4. DMX out connection (3-pin XLR)                  | 8. Mains inlet (IEC male) and fuse holder |

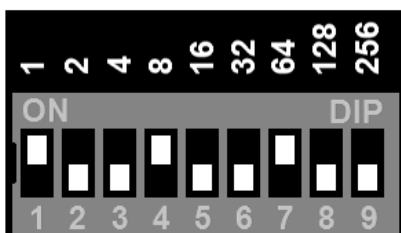
## Setting up

The FH-1500 requires haze fluid to create the effect.

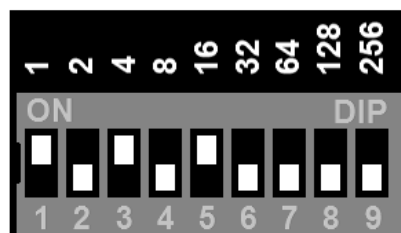
It is recommended to use one from the range of qtx haze fluids for best results.

A chart for recommended fluids is included further along in this document.

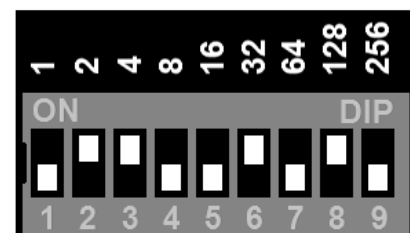
- Unscrew the top cap of the haze fluid tank and remove to fill with the selected haze fluid
- Replace the cap and close securely, ensuring the pipe is fed down to the bottom of the bottle so that a consistent flow of fluid is supplied to the machine
- Connect the remote timer control to the 5-pin XLR connector on the rear panel (2)
- Connect the supplied wireless remote receiver to the 5-pin DIN connector (1) on the rear panel
- Set the FAN SPEED rotary control (6) to maximum to start with
- Connect the IEC mains lead supplied to the rear mains inlet (8)
- If controlling via DMX, connect the incoming DMX control signal via the 3-pin XLR labelled DMX IN (3)
- Connect any further DMX equipment to the XLR labelled DMX OUT (4)
- Set the DMX start address using the rear panel DIP switches (5) in binary number format  
Examples are shown below...



$$1 + 8 + 64 = 73$$



$$1 + 4 + 16 = 21$$



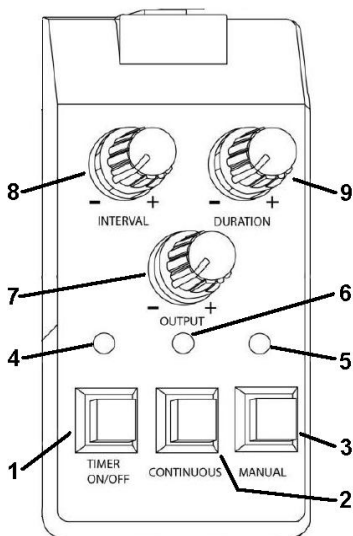
$$2 + 4 + 32 + 128 = 166$$

## Setting up

- Make sure that none of the remote timer control buttons are pressed in at startup
- The FH-1500 has an angle adjustable aperture. Adjust this to direct the haze output before switching on.
- Switch the mains power on (7)
- Heat up time for haze effect is usually between 7-8 minutes.
- During prolonged use, periodically check that the fluid level is not empty
- Switch off when not in use. Unplug from mains if not in use for long periods

Warning: There will be hot surfaces on the housing even after the machine is switched off

## Remote timer control



1. Timer button (latching) - activates the timer control
2. Continuous button (latching) – overrides timer control for constant haze
3. Manual button (non-latching) – overrides timer control for haze on demand
4. Timer indicator – illuminated when timer function is active
5. Ready indicator – illuminated when heated up ready to produce haze
6. Continuous indicator – illuminated when continuous function is active
7. Output control – adjusts the amount and density of haze effect
8. Interval control – adjusts the interval between haze output on timer control
9. Duration control – adjusts the time length of haze output on timer control

- When the machine is ready to operate, the ready light (5) on the remote timer control will illuminate.
- You may now press the Manual (3) button for haze on demand – releasing button stops the haze effect
- When the ready indicator is off, the FH-1500 needs time to re-heat and will not produce haze effect
- For constant haze effect, use the latching Continuous (2) button and the Continuous LED (6) will light
- The density of haze effect can be varied by adjusting the rotary Output control (7)
- Pressing the Timer button (1) will activate the hands-free timer function and the timer LED (4) will light
- The Interval control (8) adjusts the time between haze effect output in each timer cycle
- The Duration control (9) adjusts the length of time that haze is produced in each timer cycle
- Turn down the rotary FAN SPEED control on the rear panel for a more dense fog effect

## Wireless remote control

- Haze can also be controlled manually by the wireless remote control
- The key fob remote is powered by a button cell, replace this with similar type if discharged
- Extend the antenna on the key fob, slide down the front cover
- Press one of the key fob buttons to produce haze

## DMX operation

The FH-1500 can be operated by a single channel of DMX512 control.

Set this address via the rear panel DIP switches as shown above

A value of 0 will give no haze output. A value between 1 and 255 will give full haze output.

## Specifications

Power supply	230Vac, 50Hz (IEC)
Haze output (approx.)	11,500 CU Ft (325m <sup>3</sup> ) / min
Fuse rating	F8A (20mm glass)
Reheat time	7 - 8 mins (approx)
Tank capacity	2.0l
Heating element	1500W
Remote control	Wireless remote, wired timer remote, DMX512
Remote control frequency	433MHz
DMX channels	Single channel – 0=No output, 1-255=full output
Dimensions	540 x 280 x 270mm
Weight	13.5kg

## Troubleshooting

Warning: Hot components! ... Switch off and allow to cool before touching the unit.

No light on mains switch	Check mains voltage is correct and socket is switched on
	Check IEC lead is OK and connected properly
	Check mains fuse in IEC connector and fuse in plug top
	If fuse blowing repeatedly, refer to qualified service personnel
Ready light stays off	Check remote is connected properly
	If light is permanently off, refer to qualified service personnel
Ready light is on but no haze output on manual or continuous	Check fog fluid level
	If fluid is OK and pump working, the lines may be blocked
	Check that nozzle is not blocked or obstructed
	If blocked, clean with fog machine cleaner & distilled water
No haze output on timer function	Ensure timer button is pressed in and timer LED is lit
	Check interval, duration and output control settings – test manually if necessary
No response to DMX	Check that XLR leads are connected properly
	Check that DMX signal is OK by testing on other equipment
	Check that the DIP switch settings are set to the correct address
	Ensure that the other remote controls are not overriding DMX



**Disposal:** The "Crossed Wheelie Bin" symbol on the product means that the product is classed as Electrical or Electronic equipment and should not be disposed with other household or commercial waste at the end of its useful life. The goods must be disposed of according to your local council guidelines

# Effects Fluid Chart

<b>Bubble Fluid</b>							
<b>Stock Code</b>	<b>Volume</b>	<b>Description</b>	<b>Results</b>		<b>For use with</b>		
160.574UK	1 Litre	Bubble fluid	Light, long-lasting bubbles		160.462UK, 160.560UK 160.562UK, 160.563UK 160.564UK		
160.575UK	5 Litre						
160.576UK	1 Litre	UV bubble fluid	Light bubbles which glow in UV light				
160.577UK	5 Litre						
<b>Snow Fluid</b>							
<b>Stock Code</b>	<b>Volume</b>	<b>Description</b>	<b>Results</b>		<b>For use with</b>		
160.578UK	1 Litre	Snow fluid	High quality snow fluid. Lasts 30% longer than other standard fluids		160.565UK, 160.569UK		
160.579UK	5 Litre						
<b>Fog Fluid</b>							
<b>Stock Code</b>	<b>Volume</b>	<b>Description</b>	<b>Colour</b>	<b>Results</b>		<b>For use with</b>	
160.643UK	1 Litre	Standard fog fluid	Yellow	<b>Dispersion</b>	<b>Density</b>	<b>Stability</b>	160.452UK, 160.453UK, 160.461UK or any machine up to 900W
160.582UK	5 Litre			Quick	Light	Low	
160.587UK	1 Litre	High grade fog fluid	Orange	Slow	Medium	Good	160.455UK, 160.456UK, 160.457UK or any machine 1000-1500W
160.588UK	5 Litre			Slow	High	Good	
160.644UK	1 Litre	High quality fog fluid	Pink	Slow	Very high	Excellent	160.455UK, 160.456UK, 160.457UK or any machine 1000-1500W
160.583UK	5 Litre			Slow	Clear	Excellent	
160.589UK	5 Litre	Premium fog fluid	Clear	Slow	Highest	Excellent	160.447UK
160.592UK	1 Litre			Slow	Clear	Excellent	
160.593UK	5 Litre	Low level fog fluid	Clear	Slow	Extends life of your fog machine	All fog machines	
160.670UK	20ml			Fog machine cleaner	Clear		
<b>Haze</b>							
<b>Stock Code</b>	<b>Volume</b>	<b>Description</b>	<b>Colour</b>	<b>Results</b>		<b>For use with</b>	
160.590UK	1 Litre	High quality haze fluid	Clear	<b>Dispersion</b>	<b>Density</b>	<b>Stability</b>	160.458UK, 160.459UK 160.462UK, 160.465UK
160.591UK	5 Litre			Slow	High	Good	