

Ref. No.: 150.552

LCB-48IP LED COLORUNIT 16X3W

TRI DMX



MANUAL

Thank you for purchasing our company products.

Please read these instructions carefully to enjoy optimum performance and a longer service life before you start to use.

CONTENTS

Unpacking Inspections	2
Unpacking instructions.....	2
Checking the contents of the carton:	2
Safety Instructions.....	2
Functions Introductions	Fout! Bladwijzer niet gedefinieerd.
Main Functions	3
System menu	4
Operating instructions	5
DMX channels.....	6
Maintenance.....	7
Specification	7

UNPACKING INSPECTIONS

Unpacking instructions

- Please unpack the carton and check the goods carefully when you receive it , if discover packing damage, shortage or quality problem, please notify the shipper and reject the goods.
- Before using this product, please read the instructions carefully and keep it in a safe place for future reference.

Checking the contents of the carton:

The product, Power cord, Instruction Manual, Mounting Brackets + screws

Safety Instructions

- Safety and regulatory power socket with high quality output should be used .
- Always connect the product to a grounded circuit to avoid the risk of electrocution.
- Never put tiny metal objects such as a screwdriver, iron wire and coins, etc. into the internal or stretch into the machine in case of short circuit .
- Please make sure to connect the proper voltage and do not higher or lower than that stated on the decal or rear panel of the product .
- Avoid hitting, crashing or squeezing with other objects in transportation. Never carry the product from the power cord or any moving part . Always use the hanging / mounting bracket or the handles.

- Never pull or tug on the cord and change it for another one , stop using it when it is damaged or becomes hot .
- Stop using the product once there is sparks when connecting with the power plug .
- Make sure there are no flammable materials close to the fixture while operating . Always install it in a location with adequate ventilation.
- Never replace the lighting source with different specification and rating when the original one is damaged.
- Make sure to power off before replacing the light source or the fuse. Never do it while it is on.
- The ambient temperature is no more than 40°C(104°F) .
- Never clean the fixture by water, thinner or other dissolved agent .
- Stop using the product in case of a serious operating problem and send it to our maintenance agent immediately. Never repair by non-professional workers .
- Avoid direct eye exposure to the light source while the product is on.

SPECIFICATION

No. of LEDs	16x 3W Tri-color
DMX channels	3, 7, 10, 16, 24 or 28
DMX connection	3-pin XLR
IP Rating	IP65
Power Supply	100-240Vac / 50Hz
Consumption	60W
Dimensions	993 x 112 x 89mm (LxWxH)
Weight	5.3kg

MAINTENANCE

The unit should be cleaned periodically to ensure the optimum performance, the smudginess can decrease the life of light and the output of light is affected by the dust which can make the machine overheating. In general, make the maintenance at least two times a month. Be sure to power off the unit before cleaning .

Do not clean until the unit recovers normal temperature since high temperature for using, use the lens tissue or soft cotton cloth with alcohol to wipe gently.

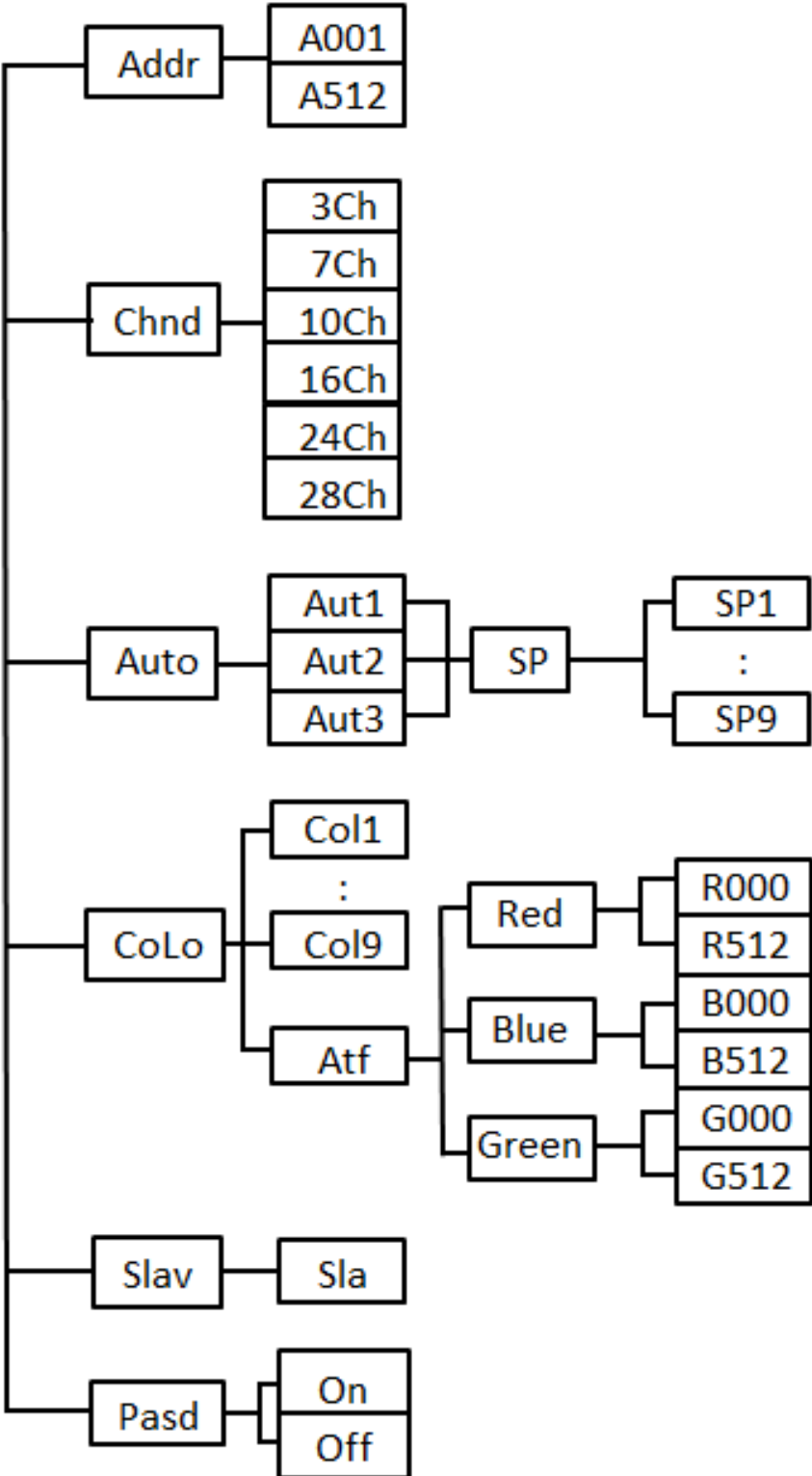
Cleaning frequency depends on the environment in which the fixture operates, damp, smoky or dirty surrounding can cause greater accumulation of dirt on the optics. Never rub or press strongly on the panel.

FUNCTIONS INTRODUCTIONS

Main Functions

- 3, 7, 10, 16, 24 or 28 DMX channels .
- Standalone, DMX, master/slave mode .
- 16x 3W Tri-colour LEDs
- With static colors, strobe, dimmer, color mixing and changing effects.
- Electronic dimming 0 – 100%
- Waterproof IP65

System menu



DMX Address – Set the DMX address

Press MENU, press the UP or DOWN button until “Addr” is displayed, press ENTER. “Axxx” will now be displayed, (“xxx” represents the displayed address). Press the UP or DOWN button to find the desired address. Press ENTER to confirm

Channel mode – Select the desired channel mode

Press MENU, press the UP or DOWN button until “Chnd” is displayed, press ENTER. “X Ch” will now be displayed, (“X” represents the displayed channel mode). Press the UP or DOWN button to find the desired channel mode. Press ENTER to confirm.

Auto mode – This menu will let you select the desired auto mode.

Press MENU, press the UP or DOWN button until “Auto” is displayed, press ENTER. There are 3 auto modes, press the UP or DOWN button to select the desired mode, press ENTER to confirm.

Color mode – Select the desired color mode

Press MENU, press the UP or DOWN button until “CoLo” is displayed, press ENTER. “Colx” or ATF will now be displayed, (“X” represents a number between 1 – 9). Press the UP or DOWN button to find the desired color mode. Press ENTER to confirm. ATF: Make your own color by mixing and adjusting the Red, Blue and Green color.

Slave mode – In this mode the unit functions as a slave

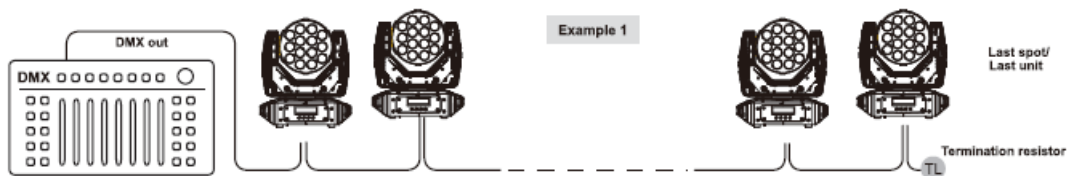
Press MENU, press the UP or DOWN button until “Slav” is displayed, press ENTER. “Sla” will now be displayed, Slave mode is confirmed. The unit will now act as a slave in Auto, sound and chase mode.

Version – Will display the software version of the unit.

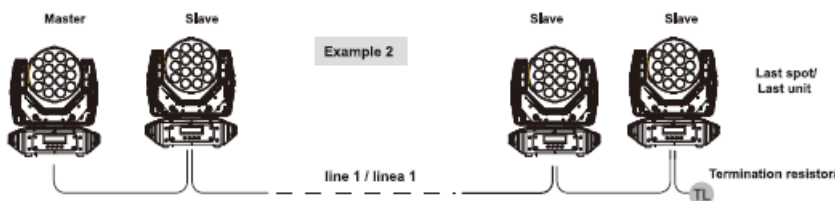
Press MENU, press the UP or DOWN button until “ver” is displayed, press ENTER. The software version of the unit will be displayed. Press MENU to leave this function

Operation Instructions

DMX connection.



Master / Slave connection.



DMX Channels:

3CH	7CH	10CH	16CH	24CH	28CH	FUN
1	5	5	5	1	5	R
2	6	6	6	2	6	G
3	7	7	7	3	7	B
		8	8	4	8	R
		9	9	5	9	G
		10	10	6	10	B
			11	7	11	R
			12	8	12	G
			13	9	13	B
			14	10	14	R
			15	11	15	G
			16	12	16	B
			
				22	26	R
				23	27	G
				24	28	B
	1	1	1		1	DIMMING
	2	2	2		2	LED main function
	3	3	3		3	SPEED
	4	4	4		4	strobing

Dimming	0	↔	255	Channel 1
	0%	↔	100%	

LED main function			LED main function			CHANNEL 2
Value		Action	Value		Action	
0	9	Dimmer	130	139	Mode12	
10	19	Strobe	140	149	Mode13	
20	29	Mode1	150	159	Mode14	
30	39	Mode2	160	169	Mode15	
40	49	Mode3	170	179	Mode16	
50	59	Mode4	180	189	Mode17	
60	69	Mode5	190	199	Mode18	
70	79	Mode6	200	209	Mode19	
80	89	Mode7	210	219	Mode20	
90	99	Mode8	220	229	Auto1	
100	109	Mode9	230	239	Auto2	
110	119	Mode10	240	255	Auto3	
120	129	Mode11				

Function Speed	0	↔	255	Channel 3
	Slow	↔	Fast	

Strobe	0	↔	255	Channel 4
	Slow	↔	Fast	



tronios
Sound & Light

CE Declaration of Conformity

Importer: TRONIOS BV
Bedrijvenpark Twente 415
7602 KM - ALMELO

Tel : 0031546589299
Fax : 0031546589298
The Netherlands

Product number: **150.552**
Product Description: **LCB-48IP LED Colorunit 16x 3W Tri DMX**

Regulatory Requirement: EN 60598-1/-2-17
EN 55015
EN 61547
EN 61000-3-2/-3-3

The product meets the requirements stated in the above mentioned Standards.

13-12-2012

Signature:

Specifications and design are subject to change without prior notice..

www.tronios.com

Copyright © 2013 by TRONIOS the Netherlands