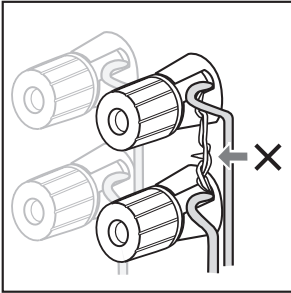


Preventing shorting of speaker cords

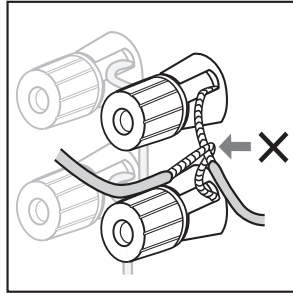
If the speaker cords short (touch each other or the metal casing), you will not only lose the sound from the speakers, but the system may also be damaged as a result. Please read the guidelines below carefully and take care to connect the speaker cords correctly.

When connecting the speakers, make sure that the exposed wire of each speaker cord does not touch anything other than the correct speaker terminal.

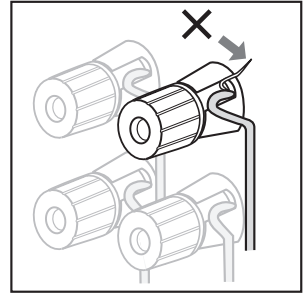
No Good!



Make sure that exposed speaker wire strands do not touch the exposed wire from any other speaker cord.

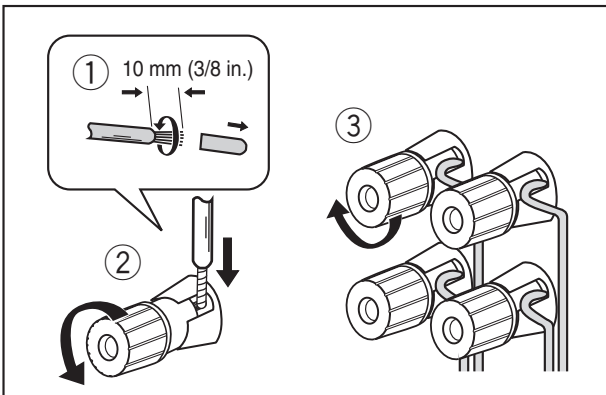


Make sure that exposed speaker wire does not extend outside the speaker terminal and touch any other wire.



Make sure that exposed speaker wire does not touch the rear panel, screws, etc.

OK!



- ① Remove about 10 mm (3/8 in.) of the plastic insulation and twist together the exposed speaker wire.
- ② Unscrew the speaker terminal, and fully insert the speaker cord so that no exposed speaker wire extends outside the terminal.
- ③ Tighten the speaker terminal to secure the speaker cord.

Check that all the speaker cords are properly connected at both the amplifier and the speaker ends.