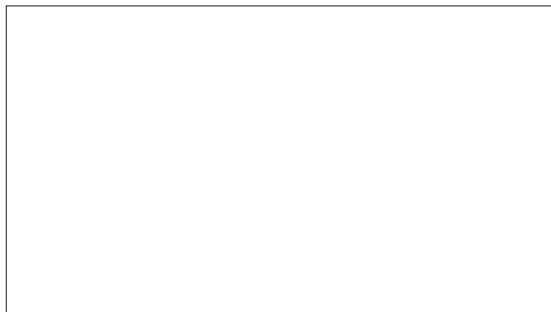




LED BAR-84-3W-RGBW



LED BAR-84-3W-RGBW



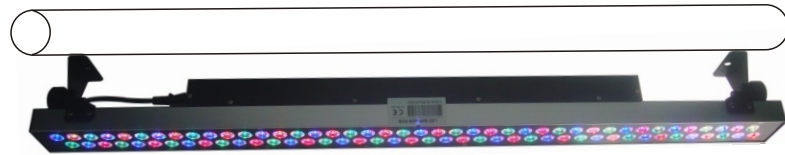
————— **Operating Manual** —————

LED BAR-84-3W-RGBW

1. Specification

LED: 3W LED 84PCS (21red, 21green, 21blue, 21white)
Beam angle: 25°
Beam spacing: 20mm
LED lifetime: 60000hours
Control system: DMX512
Data communication format: Standard DMX512
DMX channel: 17channel
DMX signal cable: 3XLR connector
Voltage: 90V~259V AC / 24V DC
Max power consumption: 260W
Body size: 100.3X7X11.3cm
Body material: alnico
Body color: black
Weight: 4.8kgs

2. Install



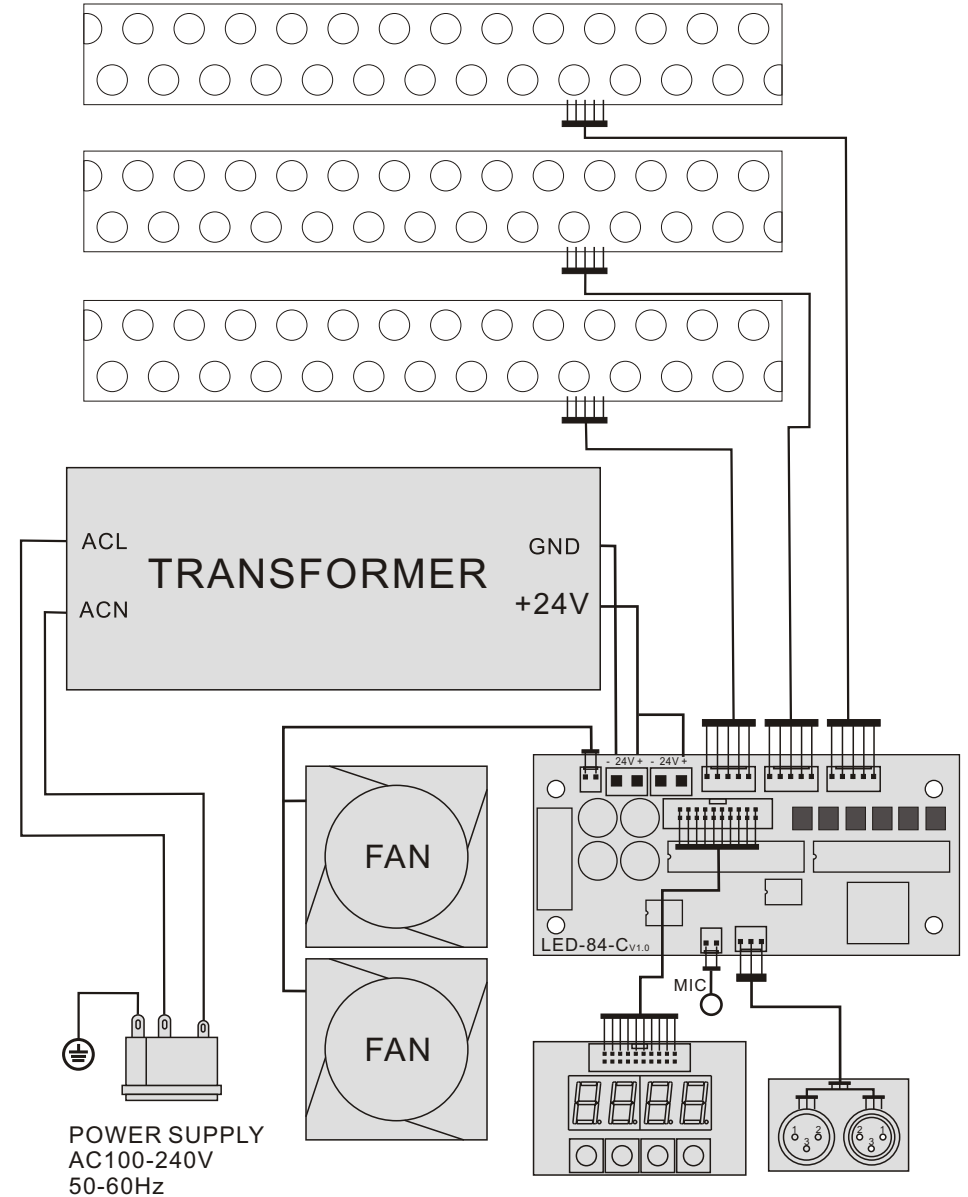
(Hang)



(Floor)

LED BAR-84-3W-RGBW

7. Wiring diagram



LED BAR-84-3W-RGBW

■ DMX 512 mode

DMX Addressing:

Enter DMX address by means of the keys "▲ Up" and "▼Down".

Confirm a store by pressing key "Enter".

5. DMX channel allocation:

Channel 1: 0-127 light dimmer(Ch2-Ch17 valid)
 128-249 strobe (Ch2-Ch17 valid)
 250-255 light ON (Ch2-Ch17 valid)

Channel 2: 0-255 all red dimmer

Channel 3: 0-255 all green dimmer

Channel 4: 0-255 all blue dimmer

Channel 5: 0-255 all white dimmer

Channel 6: 0-255 segment 1 red dimmer

Channel 7: 0-255 segment 1 green dimmer

Channel 8: 0-255 segment 1 blue dimmer

Channel 9: 0-255 segment 1 white dimmer

Channel 10: 0-255 segment 2 red dimmer

Channel 11: 0-255 segment 2 green dimmer

Channel 12: 0-255 segment 2 blue dimmer

Channel 13: 0-255 segment 2 white dimmer

Channel 14: 0-255 segment 3 red dimmer

Channel 15: 0-255 segment 3 green dimmer

Channel 16: 0-255 segment 3 blue dimmer

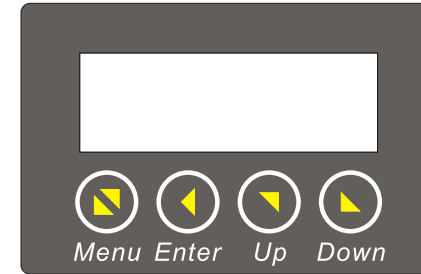
Channel 17: 0-255 segment 3 white dimmer

6. Power supply/Signal input/output panel:



LED BAR-84-3W-RGBW

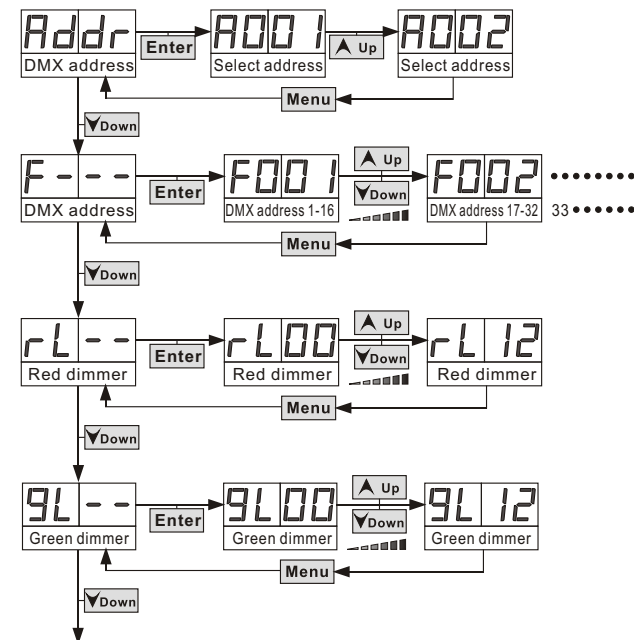
3. Control panel



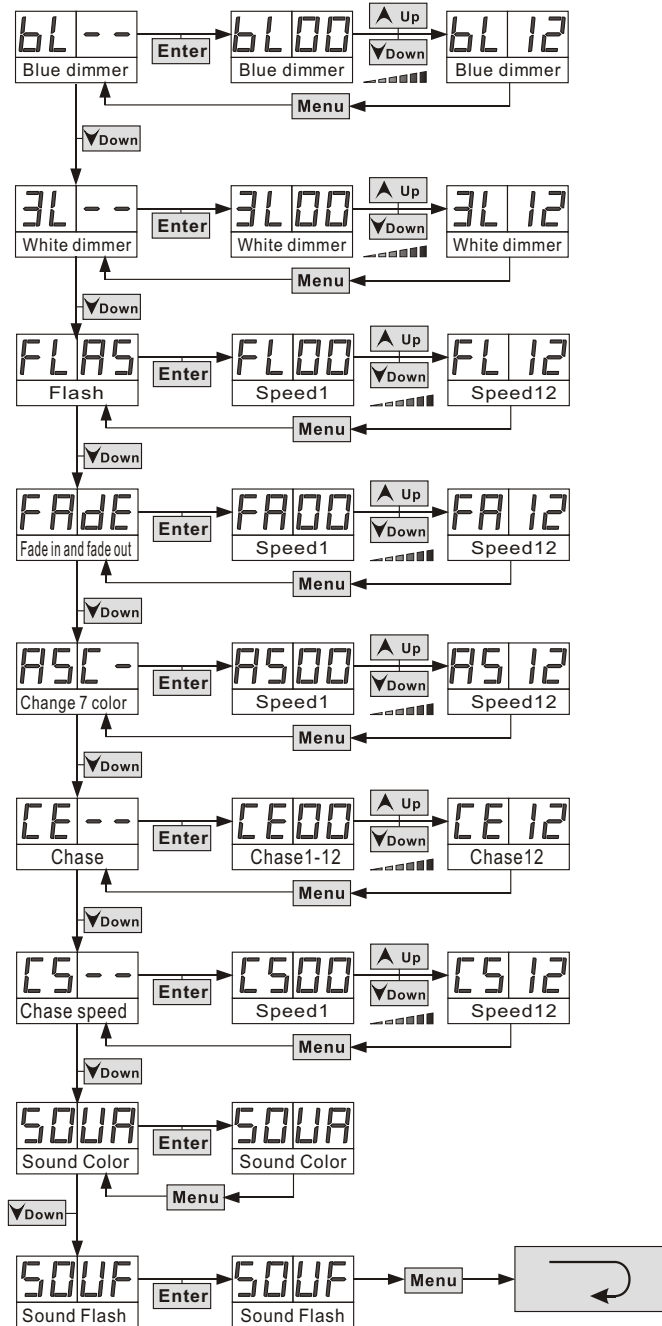
■ To adjust the personal setting of the use keys located on the control panel. Functions see menu on the following page.

■ To enter the menu press "Menu" key one time. Use keys "▲ up" and "▼Down" to move within the menu. Use key "Enter" to select the function and to recall the next menu section. To escape press key "Menu".

■ Menu navigation



LED BAR-84-3W-RGBW



LED BAR-84-3W-RGBW

4. Function:

■ DMX Address mode

1	Addr	Select DMX address
2	F---	Select Light DMX address

■ Manual mode

1	rL 12	Red dimmer
2	gL 12	Green dimmer
3	bL 12	Blue dimmer
4	3L 12	White dimmer

■ Auto mode

1	FL 12	Flash
2	FA 12	Automatic fade in and fade out
3	AS 12	Auto change 7 color
4	EE 12	Automatic Chase
5	ES 12	Chase speed

■ Sound control mode

1	SOUA	Sound Change color
2	SOUF	Sound 7 color flash

■ Synchronization mode(master and slave)

1	Master light	Choose same as (manual ,auto, sound control) mode way
2	All slave lights	ADD 1