

# QTFX-900

## Smoke Machine User Manual

160.453UK

Description	Fluid Colour	Results					Bottle Volume	Item Reference	For use with:		
		Dispersion	Density	Stability	Colour of Fog	Volume					
Bubble fluid											
Bubble fluid		Lightweight bubbles that last longer	1 Litre	160.574UK	Suitable for use with	All makers of bubble machines: QTX LIGHT FX machines: 160.562UK 160.573UK 160.571UK 160.570UK	1 Litre	160.575UK			
			5 Litre	160.575UK			5 Litre	160.576UK			
UV bubble fluid		Lightweight bubbles that glow when under UV light	1 Litre	160.577UK		5 Litre	160.577UK				
Snow Fluid											
Description	Snow Fluid	High quality snow lasts 30% longer than other standard fluids	1 Litre	160.578UK	Suitable for use with:	QTX LIGHT FX Snow machine 160.568UK and all other makers of snow machines	5 Litre	160.579UK			
			5 Litre	160.578UK			5 Litre	160.579UK			
Description	Fluid Colour	Standard smoke fluid	Yellow	Quick	Light	Low	White	1 Litre	160.643UK	For use with:	
			5 Litre	160.582UK	5 Litre	160.582UK					
	Orange	slow	Medium	Good	White	1 Litre	160.587UK	1 Litre	160.587UK		
	High grade smoke fluid	Orange	slow	Medium	Good	White	1 Litre	160.587UK	1 Litre		160.587UK
	High quality smoke fluid	Pink	slow	High	Good	Deep white	1 Litre	160.644UK	1 Litre		160.644UK
	Premium smoke fluid	Clear	slow	V. High	V. Good	V. deep white	5 Litre	160.589UK	5 Litre		160.589UK
	Smoke machine cleaner	Clear	Longer life from your smoke machine	20ml	160.670UK	All smoke machines					
	Description	Fluid Colour	Smoke Fluid	1 Litre	160.578UK	Suitable for use with:	QTX LIGHT FX Snow machine 160.568UK and all other makers of snow machines	5 Litre	160.579UK		
				5 Litre	160.578UK			5 Litre	160.579UK		

Bubble Fluid

### Effects Fluid Chart



**QTFX-900 Smoke Machine – For indoor use only**



**Caution! Please read this manual carefully before operating! Damage caused by misuse is not covered by the warranty!**

**1. General Introduction :**

This premium quality 900W smoke machine features two new types of technology; MIRROR™ piping patent technology to reduce the rate of jamming and a special microcomputer temperature control system to preserve a high temperature for a longer time. The result speaks for itself as this unit efficiently and effectively produces more smoke compared to other machines in its class. The compact and lightweight design of the QTFX-900 makes it suitable for a small bar and nightclub use whilst being the perfect companion for the mobile DJ.

**Features :**

- High performance heating element
- 10,000 Cu Ft (283m<sup>3</sup>) per minute
- Anti - jamming pipe technology
- Intelligent microcomputer keeps the temperature high
- Illuminated tank to show when the machine is ready
- Removable tank for easy maintenance
- Small, robust and lightweight housing
- Supplied with remote control

**12. Technical specification :**

<b>Power supply</b>	230Vac, 50Hz
<b>Fuse</b>	F5A
<b>Power</b>	900W
<b>Re-heat time</b>	4 min (approx)
<b>Smoke Output</b>	10,000 Cu Ft (283m <sup>3</sup> ) per minute
<b>Tank capacity</b>	0.8 Litres
<b>Dimensions</b>	125 x 170 x 230mm
<b>Weight</b>	3.06kg

**13. Disposal :**



Please disposal of the unserviceable device according to the current statutory requirements.

**2. Package Contents :**

Please check the contents to ensure that the product has been received in good condition.

QTFX-900W Smoke Machine x 1pcs	User's Guide x 1pcs
Power Cord x 1pcs	Remote control x 1pcs

If you find any accessory is missing or the machine has arrived with any problems, please contact your local dealer at once. Do not try to fix this item yourself or you will lose the warranty. Please keep the original package and invoice for any possible replacement or returned demand.

**3. Recommended Fluid:**

For the QTFX900 smoke machine we strongly recommend the following fluids which have been specifically formulated to perform best in any smoke machines with a power rating up to 900W

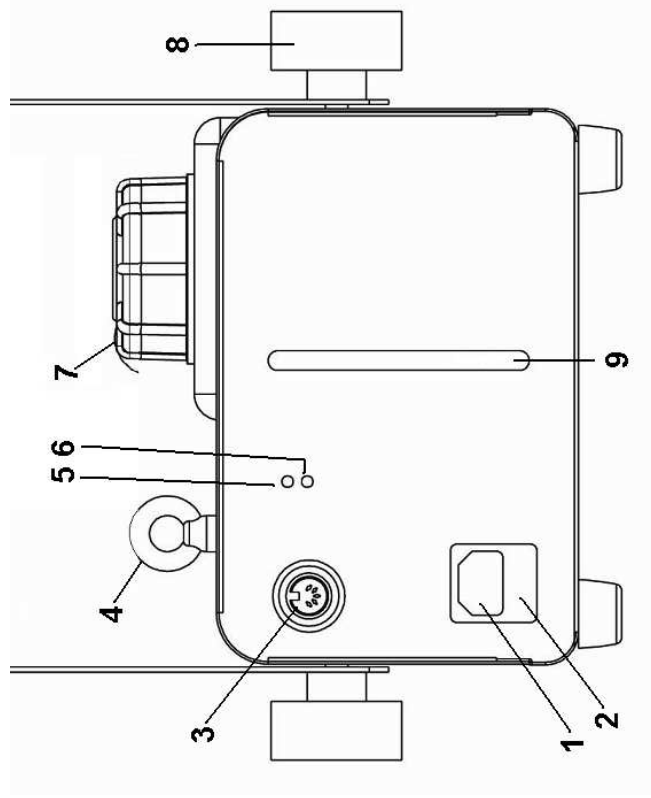
QTX Ref Code	Description	Size	Results
160.643UK	Standard grade smoke fluid	1 Litre	High quality smoke
160.582UK		5 Litre	

160.587UK	High grade smoke fluid	1 Litre	Long lasting high quality smoke
160.588UK		5 Litre	

**4. Setup :**

1. Unpack the fog machine
2. Unscrew the top cap of the tank and remove to fill with the recommended smoke fluid
3. Replace the bottle and screw the cap securely ensuring the pipe is fed down to the bottom of the bottle so a consistent flow of fluid is supplied to the machine
4. Connect the remote control
5. Connect the IEC mains plug and power up
6. Heat up time is usually between 3-6 minutes. Please ensure no button is pressed during the heat up time. When the machine is ready the LED light on the remote control will illuminate
7. Press the button on the remote control for 5 seconds so the fluid has a chance to flow through the heater block making it ready to use.
8. After this you will be able to use the smoke machine. It is recommended to produce smoke with small pauses in between so that the temperature is maintained and the thermostat doesn't switch off.

- 1) IEC Power socket
- 2) Fuse holder
- 3) Remote control socket
- 4) Safety hook
- 5) Ready indicator
- 6) Heating indicator
- 7) Fluid tank
- 8) Fixation screw
- 9) Fluid level

**11. Rear Layout:****5. Mounting instruction :**

The fixture may be mounted in any position provided there is adequate room for ventilation and the fluid can not leak.

It is important never to obstruct the front of the machine, fan or vents pathway. Mount the fixture using a clamp.

Adjust angle of the fixture loosening both knobs and tilting the fixture.

After finding desired position, re-tighten both knobs.

When selecting installation location, take into consideration refilling the tank and routine maintenance. Safety cables must always be used.

Never mount in places where the fixture will be exposed to rain, high humidity, extreme temperatures changes or restricted ventilation.

**6. Caution! To prevent Mortal Electrical Risk and Long Life Operation :**


For your safety, please kindly pay attention to all of the warnings listed below:

- Always plug in the power plug last and disconnect from the mains when the device is not in use or before cleaning.
- Do not install and operate the device in rain or extreme heat, moisture or dusty environments.
- This device is for indoor use only and in a dry environment.
- Do not switch on immediately but wait until it reaches to room temperature if the device has been exposed to drastic temperature fluctuations.
- Do not shake the device and avoid brute force when installing or operating
- Do not use the device during thunderstorms and please disconnect the power.

- Do not use solvents or aggressive detergent to clean the device. Use a soft and clean cloth.
- Do not modify the device or the connected power cord without authorization.
- Use appropriate safety-rope for safety.
- Clean the machine regularly using water or smoke cleaning fluid (160.670)

**7. Connect with power supply - The ground wire must be connected :**

Use the plug to connect to the main power supply as following.

Wire	Connection	International signal
Brown	Live	L
Blue	Neutral	N
Yellow /Green	Earth	

**8. Quick Trouble Shooting :**

**If the unit is not functioning properly**

- 8.1 Check if main power is on and fuse hasn't blown
- 8.2 The remote control is plugged in correctly in to the socket
- 8.3 Check there is fluid in the tank
- 8.4 Check that the pipe is pushed down to the bottom of the tank
- 8.5 Check the correct fluid has been used.
- 8.6 If there is a block use distilled water or smoke machine cleaning fluid.



**9. Replacing Fuse :**

Disconnect from the main power supply first, then remove the fuse holder above the IEC Socket to reveal the fuse. Replace the correct fuse rating as stated on lighting or user guide. Then, lock the fuse holder cover back into place.

**10. General Maintenance :**

To maintain optimum performance and minimize wear, the item should be cleaned frequently. Usage and environment are contributing factors in determining frequency. As a general rule, fixtures should be cleaned after use to avoid dust build-up and blockages, which can result in poor performances, overheating and breakages. Be sure to power off fixture before conducting maintenance.

Unplug fixture from power. Use a vacuum or air compressor and a soft brush to remove dust collected on external vents and internal components. Clean the external case when the fixture is cold with a dry cloth or tissue, and drag dirt and grime to the outside case.

To ensure a continuing high performance it is recommended to use water or smoke cleaning fluid (160.670) to clean the internal workings. Simply empty the tank of any smoke fluid. Fill with water or smoke cleaning fluid then operate two full cycles to clean the internal pipes this should be done once every 2 months to ensure continuing high performance

