

Technical Manual

JBL Control 328C/CT



SPECIFICATIONS

ACOUSTIC & ELECTRICAL SPECIFICATIONS:

- Nominal Impedance: 8 ohms
- Power Capacity: 250 Watts Continuous Pink Noise
- Frequency Response: 45 Hz – 18 kHz (-10 dB)
- System Sensitivity: 93 dB SPL (1 watt @ 1 meter)
- Crossover Freq.: 1.9 kHz

SYSTEM COMPONENTS:

- Low Frequency 8 in. coax woofer with 2 in. voice coil
Transducer: 361572-001
- DC Resistance: 4.3 ohms ±10%
- High Frequency 25 mm (1 in) exit compression driver 2412H-1,
Transducer: 339013-001X
- DC Resistance: 5.5 ohms ± 10%
- Crossover Network: 361416-001

AURAL SWEEP TEST SPECIFICATIONS:

- A. System Aural Sweep Test: 5.0V Input, 20 Hz to 20 kHz
- B. L.F. Aural Sweep Test: 5.0V Input, 20 Hz to 1 kHz
- C. H.F. Aural Sweep Test: 1.75V Input, 2 kHz to 20 kHz

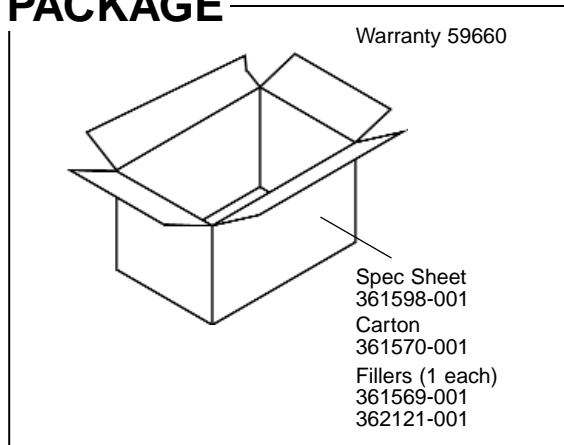
PHYSICAL SPECIFICATIONS:

- Enclosure Dimensions: 300 mm x 300 mm
11.8 in round baffle x 6.4 in (328C)
or 8.8 in (328CT) deep
- Net Weight (ea): 16 lbs. (7.25 kg.)

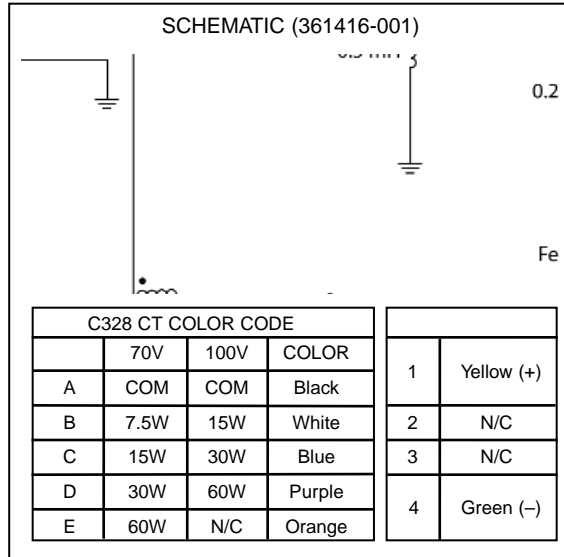
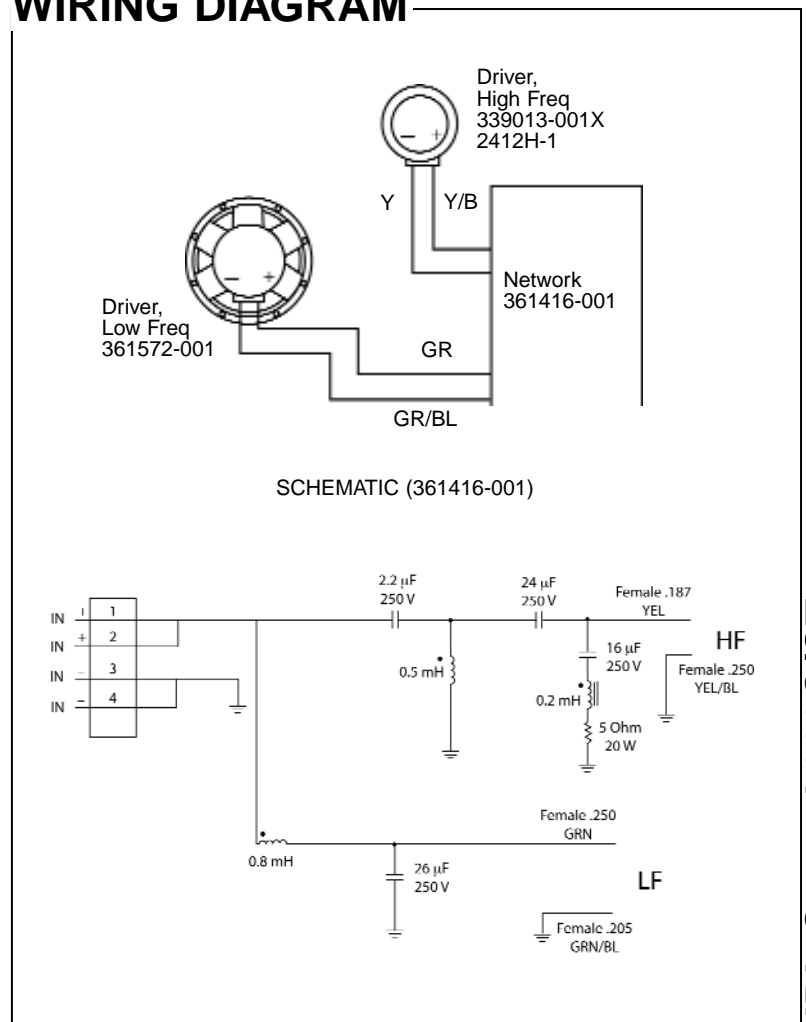
WARRANTY INFORMATION:

- Refer to Warranty Statement packed with each product.

PACKAGE



WIRING DIAGRAM



JBL Control 328C/CT REV B

JBL Control 328C/CT

COMPONENT EXPLODED VIEW

