

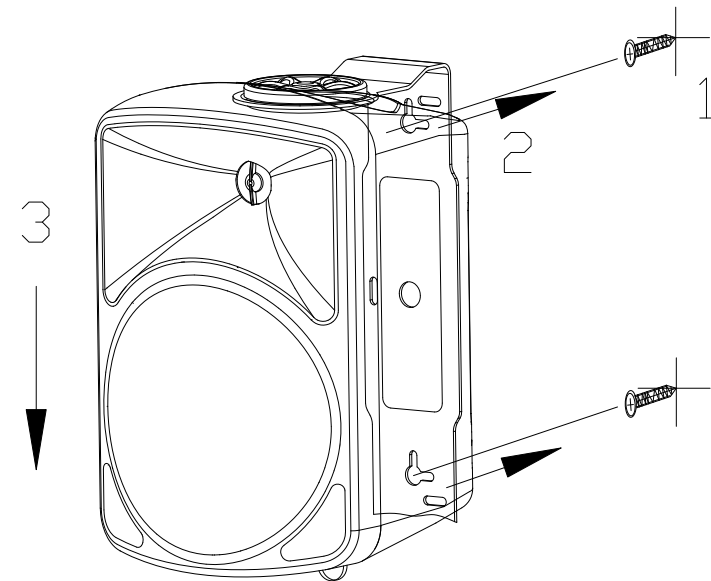
SF5

SAFETY INFORMATION

- ◆ Read all documentation before operating your equipment. Retain all documentation for future reference.
- ◆ Save the carton and packing material even if the equipment has arrived in good condition.
- ◆ Do not spill water or other liquids into the unit.
- ◆ Do not use the unit near stoves, heat registers, radiators, or other heat producing devices.
- ◆ Do not block fan intake or exhaust ports. Do not operate equipment on a surface or in an environment which may distort the normal flow of air around the unit. If the unit is used in an extremely dusty or smoky environment, the unit should be periodically “blown free” of dust.
- ◆ Do not remove the cover. Removing the cover will expose you to potentially dangerous voltages.
- ◆ In case of mal-function this device should be serviced by qualified service personnel only.

INSTALLATION

- ◆ The power input should under the speaker power.
- ◆ The speaker can be installed on the wall (see figure).



TECHNICAL SPECIFICATIONS

Rated power:35Wrms	Sensitivity:89 dB@ 1W/1m
Power [Max]:75W	Impedance:8Ohms
Bass speaker:5"	Frequency-range:60Hz~18KHz
Speakers:0.75" tweeter	Dimension [h×w×d]:247×158×152mm
Connections: 2-pole terminal	