



PDC-60

PROFESSIONAL TUNER AND CD-MP3 PLAYER



USER'S MANUAL



IMPORTANT SAFETY PRECAUTIONS

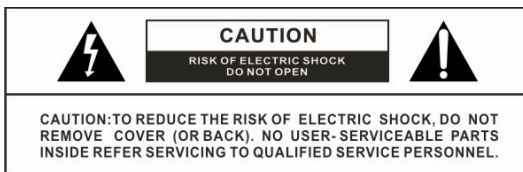


This symbol is to alert the user to the presence of uninsulated dangerous voltages inside the product's enclosure that may constitute a risk of electric shock.



This symbol is to alert the user to important operating and maintenance(service) instructions in this manual and literature accompanying the product.

Caution Marking Explanation



WARNING: CHANGES OR MODIFICATIONS TO THIS UNIT NOT EXPRESSLY APPROVED BY THE PARTY RESPONSIBLE FOR COMPLIANCE WILL VOID THE USER'S AUTHORITY TO OPERATE THE EQUIPMENT. ANY CHANGE TO THE EQUIPMENT WILL VOID FCC GRANT.

This equipment has been tested and found to comply with the limits for a Class C digital device, pursuant to part 15 of the FCC Rules. These limits are designed to provide reasonable protection against harmful interference in a residential installation. This equipment generates, uses and can radiate radio frequency energy and, if not installed and used in accordance with the instructions, may cause harmful interference to radio communications. However, there is no guarantee that interference will not occur in a particular installation. If this equipment does cause harmful interference to radio or television reception, which can be determined by turning the equipment off and on, the user is encouraged to try to correct the interference by one or more of the following measures:

- Reorient or relocate the receiving antenna.
- Increase the separation between the equipment and receiver.
- Connect the equipment into an outlet on a circuit different from that to which the receiver is connected.
- Consult the dealer or an experienced radio/TV technician for help.

This device complies with Part 15 of the FCC Rules. Operation is subject to the following two conditions: (1) this device may not cause harmful interference, and (2) this device must accept any interference received, including interference that may cause undesired operation.

CAUTION: TO REDUCE THE RISK OF FIRE OR ELECTRIC SHOCK, DO NOT EXPOSE THIS APPARATUS TO RAIN OR CORDS. IF THIS HAPPENS, BE SURE POWER TO THE ELECTRICAL OUTLET IS TURNED OFF BEFORE YOU TOUCH OR UNPLUG THE APPLIANCE.

Outdoor Use and Wet Location Warning

Note:

1. Important safety instructions shall be provided with each appliance. These safety instructions may be in the form of a separate booklet, separate sheet, or part of the instruction manual.
2. If included in the instruction manual, the safety instructions shall be located before any operating instructions.
3. These instructions shall be entitled "IMPORTANT SAFETY INSTRUCTIONS"
4. The safety instructions shall include, as applicable to the particular apparatus, the information and warnings listed before. The wording is capable of being supplements, although not replaced, by drawing or cartoons.
5. The symbol shall be shown adjacent to the text of important safety instructions.

IMPORTANT SAFETY PRECAUTIONS



Safety Instructions



Installation

- * Operate the unit only from a power source as indicated on the unit or in the operating instructions.
- * Overloaded AC outlets and extension cords are dangerous and so are frayed cords and broken plugs. Call your service technician for replacement of such cords and plugs
- * Audio products are provided with ventilation openings to allow heat generated during operation to be released. If these openings are blocked, heat build-up within the set can cause failure which may result in a fire hazard.

Therefore:

1. Never block the ventilation openings of a unit by placing it on a bed, soft rug, etc.
2. Never place a set in a built-in enclosure unless proper ventilation is provided.
3. Never cover the opening with cloth or other material.
4. Do not install near any heat sources such as radiators, heat registers, stoves, or other apparatus (including amplifiers) that produce heat.

To avoid personal injury:

1. The manufacturer recommends that this unit not be mounted on a wall or ceiling.
2. Carefully follow the operating instructions when making connections.
3. Do not insert tools, hands, or fingers in openings (such as tape slot), especially if the unit is connected to a power source.

WARNING

Do not turn on your stereo system with the volume at maximum. This will damage your speakers and void your warranty.

Getting your system ready for use

Choose an area away from heat. Allow about three(3) inches between the cabinet back and the wall for proper ventilation. Place your system near an AC outlet supplying common household current (105-120V AC60Hz).

Grounding or polarization

Do not defeat the safety purpose of the polarized or grounding type plug. A polarized plug has two blades with one wider than the other. A grounding type plug has two blades and a third grounding prong. The wide blade or the third prong are provided for your safety. When the provided plug does not fit into your outlet, consult an electrician for replacement of the obsolete outlet.

Power cord protection

Protect the power cord from being walked on or pinched particularly at plugs, convenience receptacles, and the point where they exit from the apparatus.

Only use attachments/accessories specified by the manufacturer.

Carts and stands

Use only with a cart, stand tripod, bracket, or table specified by the manufacturer, or sold with the apparatus. When a cart is used, use caution when moving the cart/apparatus combination to avoid injury from tip-over.



Water and Moisture

The appliance should not be used near water, for example, near a bathtub, washbowl, kitchen sink, laundry tub, in a wet basement or near a swimming pool and the like.

IMPORTANT SAFETY PRECAUTIONS

Cleaning

The appliance should be cleaned only as recommended by the manufacturer.

Non-use periods

Unplug this apparatus during lightning storms or when unused for long periods of time.

Object and liquid entry

Care should be taken so that objects do not fall and liquids are not spilled into the enclosure through openings.

Damage requiring service

The appliance should be serviced by qualified service personnel when:

- A. The power supply cord or the plug has been damaged.
- B. Objects have fallen, or liquid has been spilled into the appliance.
- C. The appliance has been exposed to rain.
- D. The appliance does not appear to operate normally or exhibits a marked change in performance.
- E. The appliance has been dropped, or the enclosure damaged.

Servicing

Do not attempt to service the appliance beyond that which is described in the operating instructions. All other servicing should be referred to qualified service personnel.

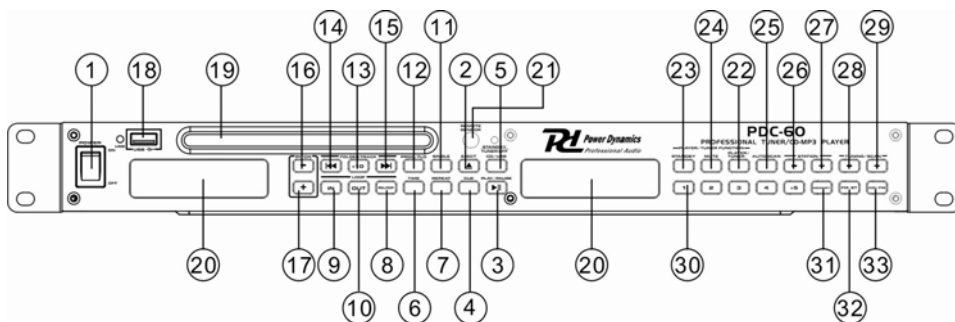
Outdoor antenna grounding

If an outside antenna is connected to the receiver, be sure the antenna system is grounded so as to provide some protection against voltage surges and built up static charges. Section 810 of the National Electrical Code, ANSI/NFPA NO. 70-1984, provides information with regard to proper grounding of the lead-in wire to an antenna discharge unit, size of grounding conductors, location of antenna discharge unit, connection to grounding electrodes, and requirements for the grounding electrode. See Figure 1.

IMPORTANT SAFEGUARDS

- 1. READ INSTRUCTIONS**-All the safety and operating instructions should be read before the product is operated.
- 2. RETAIN INSTRUCTIONS**-The safety and operating instructions should be retained for future reference.
- 3. HEED WARNING**-All warnings on the appliance and in the operating instructions should be adhered to.
- 4. FOLLOW INSTRUCTIONS**-All operating and use instructions should be followed.

REFERENCE DRAWING FOR FRONT PANEL



IMPORTANT

Use of controls or adjustments or performance of procedures other than those specified herein may result in hazardous radiation exposure.

CD player Function:

1. POWER BUTTON

Press the power switch to turn the unit on. To switch the POWER off press the POWER switch again.

2. EJECT BUTTON

Press to load or eject disk. Each press will open or close the disk tray.

NOTE: Disc holder will not open unless stop or pause button has been pushed first.

3. PLAY/PAUSE BUTTON

Each time you press the PLAY/PAUSE button, the operation changes from play to pause or from pause to play.

4. CUE BUTTON

Pressing the CUE button during play provides a return to the position at which play was started.

5. CD/USB BUTTON

Press this button to choose CD or USB mode while USB connect and the CDs in the tray.

6. TIME BUTTON

Used this button to choose the time mode : Elapsed time, remaining time or total remaining time.

7. REPEAT BUTTON

Use this button to repeat one track or all the track of the CD.

8. RELOOP BUTTON

This button is used to start the last saved loop. To finish the loop, press the reloop button.

9. IN BUTTON

This button sets the beginning of the loop. The Loop indicator on the display flashes.

REFERENCE DRAWING FOR FRONT PANEL

10. OUT BUTTON

When you press this button, you set the end point of the seamless loop and you start the loop. To finish the loop, press again this button.

11. CONT. / SINGLE BUTTON

Press this button to switch between the SINGLE and CONTINUOUS play mode. The selected mode is indicated on the LCD. In SINGLE mode, after each track, the unit stops the reading. In CONTINUOUS mode, the unit reads all tracks and stops.

12. PROG AND FOLDER CONERSION BUTTON

In STOP mode, you can program several tracks (20 tracks max):

- Press the STOP button to enter in the stop mode
- Press the PROG button to enter in the program mode
- Use the skip track buttons to choose the track you want to listen then press the PROG button to enter your choice.
- Use one more time the skip track buttons to choose the track you want to listen then press the PROG button to enter your choice.
- Repeat the operation to select all the track you want to listen
- Press the play / pause button to start the playback

13. +10 BUTTON

Use this button to jump of 10 tracks in one press.

14. SKIP I<< BUTTON

Use this switch to restart the track or to select the last track.

15. SKIP >>I BUTTON

Use this button to select the next track.

16. PITCH BEND – BUTTON

The pitch will drop while the - button is pressed and return to the original pitch when it is released.

17. PITCH BEND + BUTTON

The pitch will automatically rise when the + button is pressed and return to the original pitch when it is released.

18. USB PORT

Support USB playing and you may also connect the computer with the USB cable but only when enter into USB work mode.

19. DISC-TRAY

To enter the disc, please refer to the explanations under 6.2 CD-tray.

20. DISPLAY

21. REMOTE SENSOR

This sensor receives the information of the remote control. Don't place any object or sticker in front of the sensor.

22. PLAYER/TUNER

Press this button to select the desired PLAYER or TUNER mode.

23. STANDBY

24. MUTE

Press this button to shut off the audio ,press it again to activate audio.

REFERENCE DRAWING FOR FRONT PANEL

25. AUTO SCAN

Press this button to Automatic change frequency from low to high.

26. STATION -

Use this button to select the last title.

27. STATION +

Use this button to select the next title.

28. TUNING -

Press this button adjust the frequency from low to high.

29. TUNING +

Press this button adjust the frequency from high to low.

30. 1-4 AND +5 DIGITS

Numerical keys for direct selection of a title.

31. MEMORY

Memory of radio

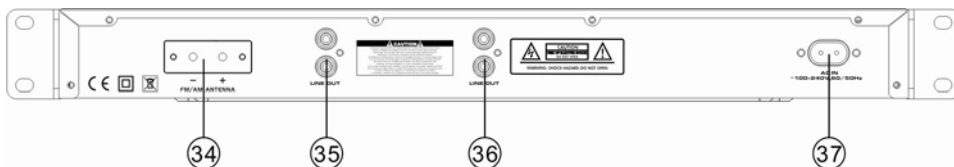
32. FM/ST

Press this button to change audio between mono stereo and stereo.

33. FM/AM

Press this button to choose the radio modes.FM or AM band.

REFERENCE DRAWING FOR BACK PANEL



34. FM/AM ANTENNA

Antenna port

35. TUNER LINE OUT

The audio for tuner is an output for these jacks.

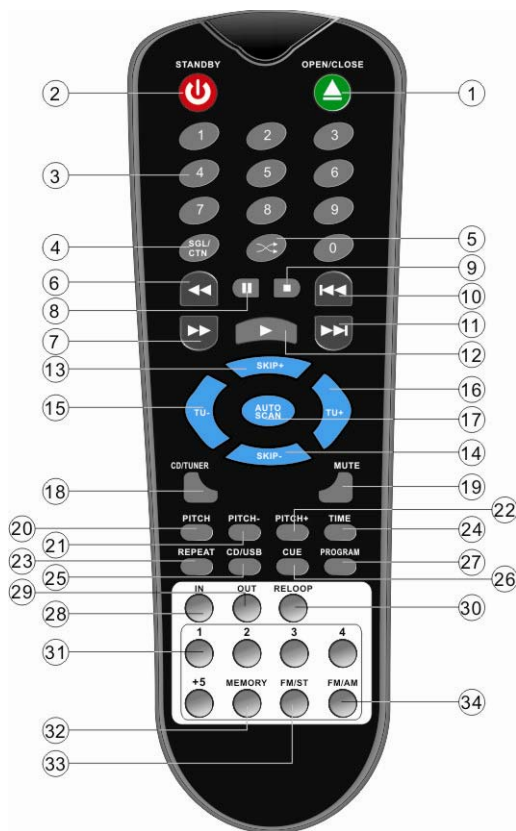
36. CD PLAYER LINE OUT

The audio for each CD player is an output for these jacks.

37. AC CORDR

Use this cable to connect the AC mains power to the unit.

REFERENCE DRAWING AND INSTRUCTIONS FOR REMOTE CONTROL SENSOR



1. POWER

Press the power switch to turn the unit on.

2. STANDBY

3. 1-4 AND +5 DIGITS

Numerical keys for direct selection of a title.

4. SGL/CTN

Press these to switch between the SINGLE and CONTINUOUS play mode. The selected mode is indicated on the LCD. In SINGLE mode, after each track, the unit stops the reading. In CONTINUOUS mode, the unit read all track and stops.

5. BUTTON

For selecting random play. With the function activated, the LCD will light up.

- 6. REV <<**
Press this button to backward to navigation through one track.
- 7. FWD >>**
Press this button to t forward to navigation through one track.
- 8. PUSE**
Press this button to puse the player.
- 9. STOP**
Press this button to stop the player.
- 10. PREV**
Press this button to select the previous track.
- 11. NEXT**
Press this button to select the next track.
- 12. PLAY**
Press this button to play the player.
- 13. SKIP +**
Press this button to skip to the next track.
- 14. SKIP –**
Press this button to skip back to the previous selection program.
- 15. TUNING –**
Press this button to adjust the frequency from high to low.
- 16. TUNING +**
Press this button to adjust the frequency from low to high.
- 17. AUTO SCAN**
Press this button to Automatic change frequency from low to high.
- 18. CD/TUNER**
Press this button to choose PLAYER or TUNER mode
- 19. MUTE**
Press this button to shut off the audio ,press it again to activate audio.
- 20. PITCH**
If you push this button, the adjustment of the pitch potentiometer is available.
- 21. PITCH –**
The pitch will drop while the - button is pressed and return to the original pitch when it is released.
- 22. PITCH +**
The pitch will automatically rise when the + button is pressed and return to the original pitch when it is released.
- 23. REPEAT**
Use this button to repeat one track or all the track of the CD.
- 24. TIME**
Used this button to choose the time mode : Elapsed time, remaining time or total remaining time.
- 25. CD/USB**
Press this button to choose CD or USB mode while USB connect and the CDs in the tray.
- 26. CUE**
Pressing the CUE button during play provides a return to the position at which play was started.

27. PROGRAM

- Press the PROG button to enter in the program mode

28. IN

This button sets the beginning of the loop. The Loop indicator on the display flashes.

29. OUT

When you press this button, you set the end point of the seamless loop and you start the loop. To finish the loop, press again this button.

30. RELOOP

This button is used to start the last saved loop. To finish the loop, press the reloop button.

31. 1-4 AND +5 DIGITS

Numerical keys for direct selection of a title.

32. MEMORY

Memory of radio

33. FM/ST

Press this button to change audio between mono stereo and stereo.

34. FM/AM

Press this button to choose the radio modes. FM or AM band.

INSTRUCTIONS FOR REMOTE CONTROL

At first, place the batteries into the remote control.

- ☐ Open the battery compartment.



- ☐ Insert the batteries AAA(UM-4), made sure to match + and - of the batteries to the marks in the battery compartment.



- ☐ Close the battery cover.



NOTE: Improper use of the batteries may cause battery leakage and corrosion. To

operate the remote control correctly, follow the instructions below:

Do not insert batteries into the remote control in the wrong direction.

Do not charge, heat, open or short -circuit batteries. Do not throw batteries into a fire.

- Do not leave dead or exhausted batteries in the remote control.
- Do not use different types of batteries together or mix old and new batteries.
- If you do not use the remote control for a long period of time, remove the batteries to avoid possible damage from battery corrosion.
- If the remote control does not function correctly or the operating range becomes reduced, replace all batteries with new one.
- If battery leakage occurs, wipe the battery liquid from the battery compartment, then insert new batteries.

The batteries can be used for one year in normal condition.

Operation of the remote control

This is for instructions how to use the remote control.



Distance: within 7m from the front of the remote control sensor.

Angle: within 30° each direction of the front of the remote sensor.

Notes on the remote control

- Do not drop or give the remote control a shock.
- Do not put heavy object on the top of the remote control.
- Do not spill water or and liquid on the remote control.
- Don not open the remote control.

WARRANTY CONDITIONS

Power Dynamics equipment is covered by a 1-year warranty on parts and labour except for faders(90 days).The follwing rules apply from the day the equipment leaves the factory:

The date on the invoice is considered to be the date the warranty begins.

Only companies approved by **Power Dynamics** are allowed to work on the equipment.Warranty becomes void when other service technicians open the equipment.

During warranty period,defective equipment must be sent by pre-paid mail in the original box.

Power Dynamics will return the goods by pre-paid mail during the first year of warranty;thereafter the mailing cost is to be paid by the recipient.

Potentiometers have a limited lifetime and are not covered by the manufacturer for more than normal use.

For all service enquiries,refer to your local distributor,as he is best able to help you.

SPECIFICATIONS:

Power supply: ~100-240V,60/50Hz
Dimensions : 484x45 x 252.5mm

