

BI-LD012 Four Eyes LED Instruction Manual



Safety Instructions:

1. Avoid any direct eye contact with light when in use.
2. Always use the correct fuse;
3. Do not submerge into water;
4. Tampering with the unit will terminate warranty and is dangerous;

For trouble shooting check fuse in the back of unit and replace if damaged.

Technical Specifications:

Voltage: AC110-240V 50-60Hz

Rated Power: 25W

Output Power: 20W

Lamp: 5mm GBR LED 256pcs

Color effect: colorful

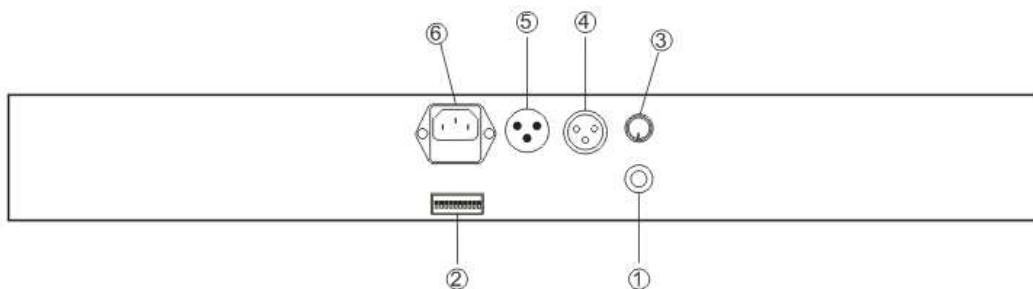
Insulating fuse: $> 2M\Omega$

Flash: 1-11times/second

Channels: Ch10

Control signal: international standard DMX512 signal

Control mode: DMX512 mode, Master/Slave mode, Stand alone mode

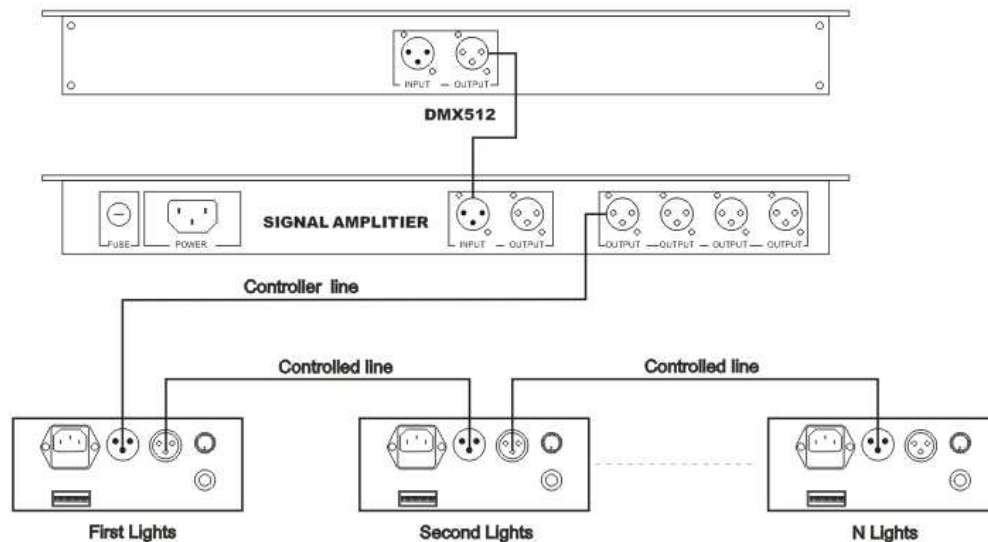


1. Sound sensitivity control
2. Dipswitches
3. MIC
4. DMX Out
5. DMX In
6. Power

DMX 512 CONTRTROL SIGNAL

It is controlled by international DMX512 signal, and Master/slave control. Also stand alone DMX addressing, Auto control.

light with XLR-XLR controlling line. Then connected to the input of second light from the output of first light, and as the same step to the last one, then insert the accessory circuit of the controller to the signal output of the last one. For example:



DMX Address



1、 Control mode:

ON	OFF	Function
1, 2, 3, 4, 5, 6, 7, 8, 10	9	Auto mode
	1, 2, 3, 4, 5, 6, 7, 8, 9, 10	Sound active mode
Slave: 1 Master: Auto move, sound active, or something else.	Slave: 2, 3, 4, 5, 6, 7, 8, 9, 10	Master/Slave mode
9	1, 2, 3, 4, 5, 6, 7, 8, 10	Strobe effect
5, 6, 7, 8 (the fastest)	1, 2, 3, 4, 9, 10	Adjustable speed
1, 2, 3, 4	5, 6, 7, 8, 9, 10	Built-in program
1	2, 3, 4, 5, 6, 7, 8, 9, 10	DMX512

2、 Channel control

channel	DMX Channel value	Effect
CH1	Auto control	Turn off

		16-19	Red	Channel control effect
		20-24	Green	
		25-30	Blue	
		31-34	Yellow	
		35-40	Purple	
		41-44	Azury	
		45-99	All color	
		100—149	The choice of build-in program effect (CH2 control program, CH3 control speed, other CH is no effect.	
		150—199	The choice of build-in program effect (run cycle)	
	Sound	200—249	Sound control (control by CH2)	
250—255		Sound control (run cycle)		
CH2	Self-defined patterns	0—255	85 Build-in patterns choice	
	The choice if build-in program	0—255	Build-in program choice	
CH3	Patten vertical position	0—127	position choice	
		128—255	Speed control, slow to fast	
CH4	Pattern vertical position	0—127	Position choice	
		128—255	Speed control, slow to fast	
CH5	Rotating vertically	0—85	Speed choice	
	Rotating horizontally	86—171		
	Rotating vertically and horizontally	172—255		
CH6	Pattern(small to big)	0—85	Speed choice	
	Pattern(small to big)	86—171		
	Pattern zoom in or out effect	172—255		
CH7	Speed choice I (vertical)	0—85	speed choice	
	Speed choice I (horizontal)	86—171		
	Pattern effect I, 2	172—255		
CH8	Strobe effect	0	nothing	
		1—255	Slow to fast	
CH9	Dimmer light effect	0—255	Bright to dark	
CH10	Light panel choice	0—255	the choice of light panel	