

## NU2

### Dual UHF Wireless System

Item ref: 171.974UK, 171.975UK, 171.976UK, 171.977UK

User Manual



Version 1.0



Caution: Please read this manual carefully before operating  
Damage caused by misuse is not covered by the warranty

## Introduction

Thank you for choosing the Chord NU2 wireless system. This professional wireless set provides 2 high quality microphones with UHF radio system for freedom of movement without loss of audio quality. Please read this manual before using this equipment in order to avoid damage through incorrect operation and to get the best performance from your purchase.

## Package Contents

- NU2 dual UHF wireless receiver
- 19" rack ears
- 2 x UHF aerials
- 2 x BNC antenna cables (for front panel mounting)
- 2 transmitters (NU2-H handhelds or NU2-N bodypacks)
- 2 x neckband and 2 x lavalier microphones (NU2-N only)
- Mains power adapter
- 6.3mm mono jack lead
- 4 x 1.5V AA battery

If you find any accessory is missing or the product has arrived with any problems, contact your retailer.

These products contain no user-serviceable parts inside. Do not attempt to try to fix or modify these items yourself as this will invalidate the warranty. We recommend you keep the original package and proof of purchase for any possible replacement or returned demand.

## Warning

To prevent the risk of fire or electric shock, do not expose any of the components to rain or moisture. If liquids are spilled on any component, stop using immediately, allow unit to dry out and have checked by qualified personnel before further use. Avoid impact or heavy vibration to any of the components, dropping the microphone can cause capsule failure. No user serviceable parts inside transmitter or receiver - refer servicing to qualified service personnel.

## Safety

- Ensure that the correct power adaptor is used with adequate current rating (350mA minimum) and that the mains voltage is as stated on the adapter.
- Avoid ingress of water or particles into the transmitters or receiver
- Use alkaline or NiMH batteries in the transmitters and remove if unused for long periods.
- Observe the correct polarity when replacing batteries

## Placement

- Keep all components out of direct sunlight and away from heat sources.
- Do not place heavy objects on top of the receiver or transmitters
- If rack-mounting, use rack ears provided and do not place heavy equipment above the receiver.
- Keep the transmitters and receiver away from damp or dusty environments.

## Cleaning

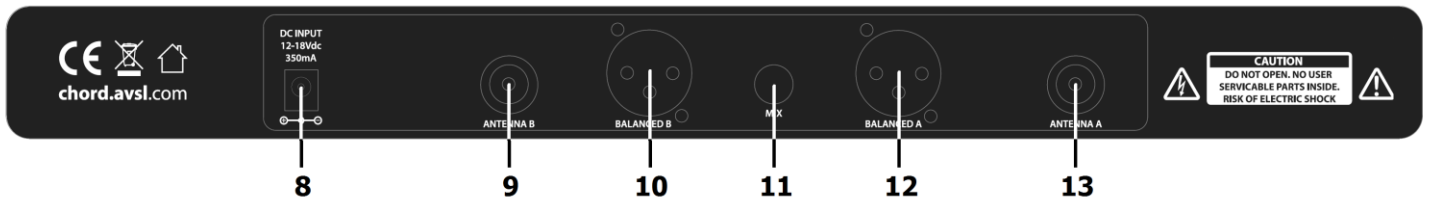
- Use a soft cloth with a neutral detergent to clean the body of the handheld transmitter and receiver.
- Lightly damp sterile wipes may be used on the microphone grille for hygiene purposes
- To avoid damage, do not use solvents to clean the components

## Receiver Front Panel



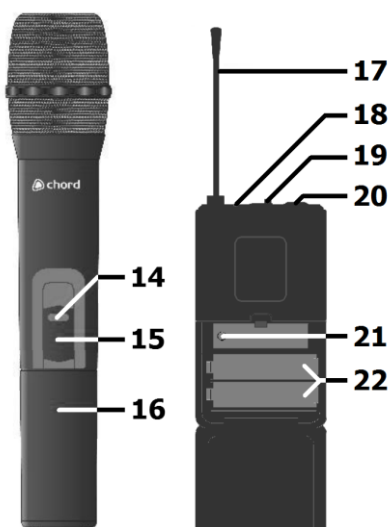
- |  |  |
|--|--|
| 1. VOLUME control - Channel A              | 5. AF audio signal indicator - Channel B |
| 2. RF carrier signal indicator - Channel A | 6. VOLUME control - Channel B            |
| 3. AF audio signal indicator - Channel A   | 7. Power on/off switch                   |
| 4. RF carrier signal indicator - Channel B |  |

## Receiver Rear Panel



- |                                      |  |
|--------------------------------------|--|
| 8. Power on/off switch               | 11. Unbalanced 6.3mm jack mix output     |
| 9. BNC antenna connector - Channel B | 12. Balanced XLRM output - Channel A     |
| 10. Balanced XLRM output - Channel B | 13. Po BNC antenna connector - Channel A |

## Transmitters



- |                                       |
|---------------------------------------|
| 14. On indicator (handheld)           |
| 15. Off - Mute - On switch (handheld) |
| 16. Battery compartment (handheld)    |
| 17. Antenna                           |
| 18. On indicator (bodypack)           |
| 19. Off - Mute - On switch (bodypack) |
| 20. 3.5mm threaded jack socket        |
| 21. Gain control                      |

Note: If replacement transmitters are required, these must be genuine Chord branded transmitters which transmit the correct pilot tone to match with the receiver. Transmitters which have the same carrier frequency but not the correct pilot tone will not work with NU-series receivers.

## Setting Up

Insert the supplied AA batteries into the handheld transmitters by carefully unscrewing the base to reveal the battery compartment inside the microphone body, connect the batteries (ensure + and - are the correct way round for each cell) and carefully screw the base back on. For bodypack transmitters, squeeze and flip forward the front cover to reveal the battery compartment and insert AA batteries, observing correct polarity. Connect the 3.5mm jack connector from the neckband or lavalier microphone to the input on top of the bodypack transmitter and rotate to secure the thread.

Position the receiver within the best available line of sight to the transmitters and connect the DC jack of the supplied power adapter to the receiver and the plug-top to the mains outlet. Connect both antennas to the BNC connectors on the rear panel or alternatively, attach to the rack ears, connecting via the BNC extension leads supplied. Turn mic levels down on the receiver.

A choice of mixed output of both microphones on 6.3mm jack or individual balanced XLR outputs is available on the rear panel of the receiver. Connect jack or XLR (optional) leads to the relative output connector(s), turn down the volume of any equipment (mixer, amplifier etc.) that the signal will be fed into and then connect the jack or XLRs to the equipment.

Warning! - take care not to point microphones towards speakers – this can cause damaging feedback (loud whistle or howling noise) – try to aim microphones away from the speaker cabinets.

## Operation

Switch on power to the receiver unit.

Move the switch on the first handheld or bodypack transmitter to the first notch (MUTE) – the LED should light momentarily. Move on another notch (Fully ON) and gradually increase the microphone level on the receiver, then increase the volume on the mixer or amplifier until the sound from each microphone can be heard through the equipment. Repeat for the second microphone. (Note: if output is low from neckband microphones, it may be necessary to adjust Gain control inside the bodypack unit).

During use, it may be useful for the reception of the microphone to be muted for a short period of time (e.g. to avoid feedback when walking across the front of a speaker or avoid handling noise when placing the microphone down momentarily or adjusting a neckband microphone). In these circumstances, it may be better to move the transmitter switch to the "MUTE" position, which maintains the radio frequency carrier signal but mutes the microphone input. When this switch is moved back to the "ON" position, the sound will be immediately restored without waiting for the radio signal to be reinstated.

If the wireless system is not to be used for more than a few seconds, it is preferable to slide the transmitter switch to the "OFF" position, which mutes and deactivates the radio signal and powers down the transmitter. Turn down the volume of the mixer or amp and then switch off the receiver.

Unplug signal leads from the receiver and mixer or amplifier when moving or packing away. If the system is not to be used for long periods of time, remove the batteries from the transmitters and unplug the power adapter from the receiver and the mains outlet. Folding away or removing the antennae can also help avoid damage when the system is not in use.

## Specifications

Power supply (receiver)	12 - 18Vdc 500mA adaptor (supplied)
Batteries (transmitters)	4 x AA (2 per transmitter - included)
Carrier frequency (171.974UK, 171.976UK)	863.3MHz + 864.3MHz
Carrier frequency (171.975UK, 171.977UK)	863.8MHz + 864.8MHz
Stability	10PPM
S/N ratio	>96dB
THD	<0.1% @ 1kHz
Image rejection	>85dB
Range	60m (max)
Output impedance	2.2kΩ
Output level	400mv (balanced), 200mv (unbalanced)
Connectors	DC in, 2 x XLRM, 6.3mm jack
Dimensions - handheld transmitter	243 x 48mmØ
Dimensions - bodypack transmitter	205 x 68 x 25mm
Dimensions - receiver	409 x 190 x 44mm
Weight - handheld transmitter	238g (no battery)
Weight - bodypack transmitter	76g (no battery)
Weight - receiver	1.37kg

## Troubleshooting

"POWER" LED does not light on receiver	Ensure power adapter is connected to mains and working properly
	Ensure receiver is switched on
"POWER" LED is lit but no "RF" or "AF" LEDs	Ensure transmitter is switched on
	Check that transmitter is not out of reception range
	Check that transmitter batteries are good/charged
"POWER" and "RF" LEDs are lit but no "AF" and no sound	Check that transmitter switch is not in "MUTE" position
	Ensure transmitter has good/charged batteries
	Ensure there is no other nearby transmitter with the same frequency
All LEDs lit but no sound from mic	Make sure receiver is connected to mixer/amplifier
	Ensure that receiver and amplifier/mixer channel volumes are turned up
Microphone output is very loud or distorted	Turn down VOLUME on receiver
	Turn down gain on bodypack transmitter
	Reduce gain on mixer/amplifier
	Ensure that an XLR output is not fed to a line input
Microphone output is very low	Turn up VOLUME on receiver
	Turn up gain on bodypack transmitter
	Increase gain of mixer/amplifier input
	Ensure that a jack output is not fed to a mic input
	Check transmitter batteries



**Disposal:** The "Crossed Wheelie Bin" symbol on the product means that the product is classed as Electrical or Electronic equipment and should not be disposed with other household or commercial waste at the end of its useful life. The goods must be disposed of according to your local council guidelines.

*Errors and omissions excepted.  
Copyright© 2016. AVSL Group Ltd.*