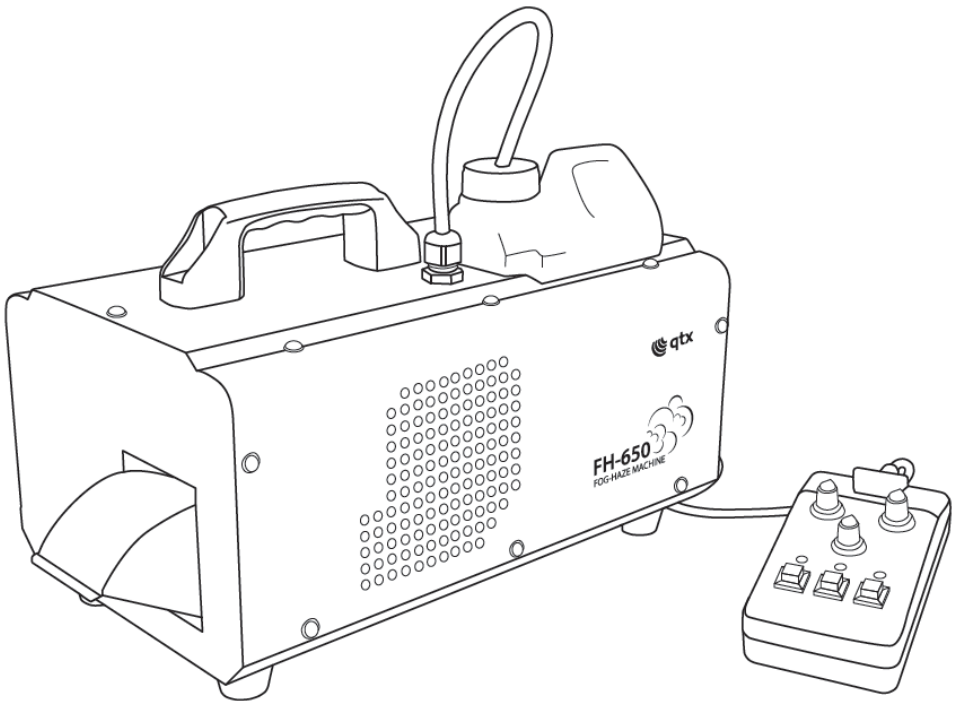


FH-650

Fog/Haze Machine

Item ref: 160.474UK

User Manual



Caution: Please read this manual carefully before operating
Damage caused by misuse is not covered by the warranty

Introduction

Thank you for purchasing the QTX FH-650 fog/haze machine. This product has been designed to provide variable atmospheric effects from thick fog and smoke to light haze. Please read and keep this manual in order to achieve the best results from this equipment and avoid damage through misuse.

Unpacking

The product should arrive with you in good condition with the following components.

- FH-650 fog/haze machine
- Wired timer remote control
- Mains lead(s)

If you find any accessory is missing or the machine has arrived with any problems, please contact your local dealer at once. Please keep the original package and invoice for any possible replacement or returned demand.

Warning

To prevent risk of fire or electric shock, do not expose electrical parts to rain or moisture. If liquids are spilled on areas other than inside the fluid tank, disconnect the mains, allow the FH-650 to dry out and have it checked by qualified personnel before further use. Avoid any impact, dropping or extreme pressure to the housing. No user serviceable parts inside - do not open the case. Allow the FH-650 to acclimatize to room temperature before operating. Refer all servicing to qualified service personnel.

Placement

The FH-650 has a built-in fluid container and should be operated in an upright position. Ensure that the FH-650 is positioned on a stable, non-slip surface.

Safety

- Check for correct mains voltage and condition of IEC lead before connecting to mains
- Check the condition of the remote lead and ensure that it is not trapped
- This unit must be earthed
- This unit uses a heating element – be aware that parts of the housing may be hot in use!

Cleaning

- Use a soft dry or slightly damp to clean the casing
- Do not use strong solvents for cleaning the unit
- Clean the haze mechanism periodically by operating with distilled water instead of haze
- It is also recommended to use fog machine cleaning fluid (160.670UK) periodically

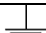
Recommended fluid

For the FH-650 haze machine, we strongly recommend the following fluid which has been specifically formulated to perform best with any heater based haze machines.

QTX ref code	Description	Size
160.591UK	High quality professional Haze fluid	5 Litre

Use power supply with Earth connection and adequate current capacity for the unit

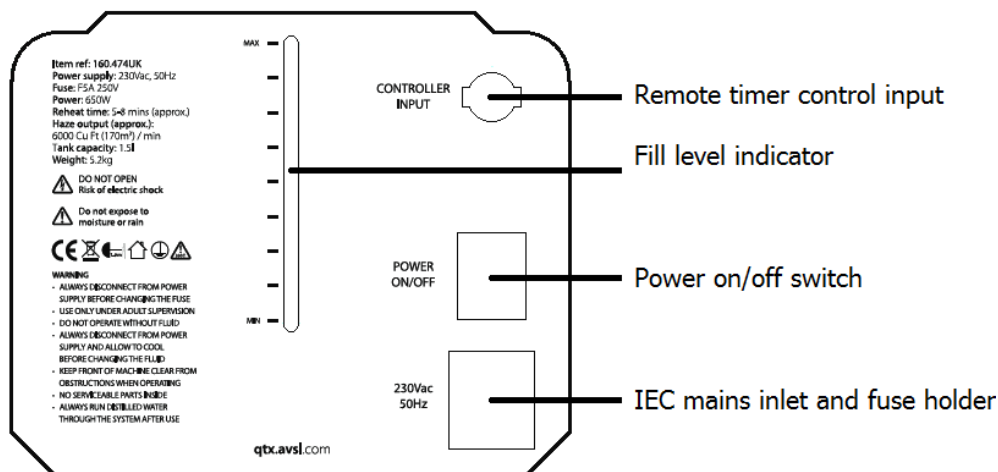
Use the plug to connect to the main power supply as follows:

Wire	Connection	International signal
Brown	Live	L
Blue	Neutral	N
Yellow /Cyan	Earth	

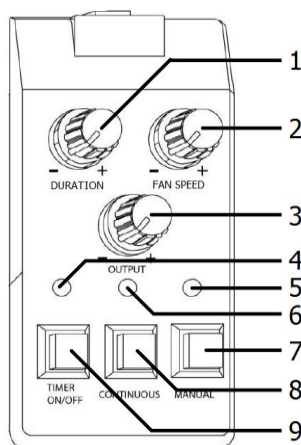
Setup and operation

1. Unpack the FH-650 unit.
2. Unscrew the top cap of the tank and remove to fill with haze fluid.
3. Replace the bottle and screw the cap securely, making sure that the pipe is fed down to the bottom of the bottle to ensure a consistent flow of fluid.
4. Set the output aperture to the angle required for ideal dispersion.
5. Connect the remote control via the 5-pin DIN socket on the rear panel (for first time use only, press on the continuous button to draw fluid past the sensor)
6. Connect the IEC mains plug and switch the power on. The red LED on the remote control will light.
7. Heat up time is usually between 5-8 minutes. Please ensure that no button is pressed during the heat up time. (see above for first time operation) When the machine is ready the green light on the remote control will illuminate.
8. Turn the output to max and press the Manual button on the remote control for 5 seconds so that the fluid has can flow through to the heater block.
9. Adjust the fan speed and output on the remote control to the required output consistency. It is recommended to produce haze/fog with small pauses in between so that the temperature is maintained and the thermostat doesn't switch off.
10. Use the remote timer control to change output settings as required.
11. When not in use, disconnect from the mains and allow the unit to cool before moving or storing.
12. If not used for long periods, empty the fluid and store in a dry place.

Rear panel



Remote Timer Control



1. Duration control: adjusts the timing of haze output and intervals in between (between 0 – 15 seconds)
2. Fan Speed control: adjusts the rotation of the built-in fan to vary the dispersion amount of haze output.
3. Output control: adjusts the amount of haze fluid delivered to the heater, varying the amount of haze.
4. Haze indicator: lights when haze effect is active.
5. Ready indicator: lights when heater is ready to haze
6. Power indicator: lights when main power is on
7. Continuous button: overrides the timer function when pressed to produce continuous haze output.
8. Manual button: overrides the timer function to produce haze on demand when pressed (non-latching)
9. Timer button: engages the timer function based on the Duration control setting.

qtx		Effects Fluid Chart					
Bubble Fluid							
Stock Code	Volume	Description	Results		For use with		
160.574UK	1 Litre	Bubble fluid	Light, long-lasting bubbles		160.462UK, 160.560UK, 160.562UK, 160.563UK		
160.575UK	5 Litre						
160.576UK	1 Litre	UV bubble fluid	Light bubbles which glow in UV light		160.564UK		
160.577UK	5 Litre						
Snow Fluid							
Stock Code	Volume	Description	Results		For use with		
160.578UK	1 Litre	Snow fluid	High quality snow fluid. Lasts 30% longer than other standard fluids		160.565UK, 160.569UK		
160.579UK	5 Litre						
Fog Fluid							
Stock Code	Volume	Description	Dispersion	Density	Stability	Fog colour	For use with
160.643UK	1 Litre	Standard fog fluid	Quick	Light	Low	White	160.452UK, 160.453UK, 160.461UK
160.582UK	5 Litre						or any machine up to 900W
160.587UK	1 Litre	High grade fog fluid	Slow	Medium	Good	White	
160.588UK	5 Litre						
160.644UK	1 Litre	High quality fog fluid	Slow	High	Good	Thick white	160.455UK, 160.456UK, 160.457UK
160.583UK	5 Litre						or any machine 1000-1500W
160.589UK	5 Litre	Premium fog fluid	Slow	Very high	Excellent	Opaque White	
160.592UK	1 Litre	Low level fog fluid	Slow	Highest	Excellent	Opaque White	160.447UK
160.593UK	5 Litre						All Fog machines
160.670UK	20ml	Fog machine cleaner		Extends life of your fog machine			
Haze							
Stock Code	Volume	Description	Dispersion	Density	Stability	Haze colour	For use with
160.591UK	5 Litre	High quality haze fluid	Slow	High	Good	Thick white	160.458UK, 160.459UK, 160.462UK, 160.465UK
160.591UK	5 Litre	Eco haze fluid	Medium	Medium	Good	White	
Fog							
Stock Code	Volume	Description	Results		For use with		
160.650UK	20ml	Coconut fog fragrance	Adds fragrance to fog or haze		20ml = 5 Litre fog or haze fluid		
160.651UK	20ml	Mint fog fragrance					
160.652UK	20ml	Vanilla fog fragrance					
160.653UK	20ml	Tropical fog fragrance					
160.654UK	20ml	Strawberry fog fragrance					
160.655UK	20ml	Energy fog fragrance					

Specifications

Power supply	230Vac, 50Hz (IEC)
Power	650W
Reheat time	5-8 min (approx.)
Haze output (approx.)	6,000 Cu Ft (170m ³) / min
Tank capacity	1.5l
Remote cable length	5m
Dimensions	360 x 220 x 210mm
Weight	5.2kg

Troubleshooting

Warning: Hot components! ... Switch off and allow to cool before touching the unit.

No light on mains switch or remote	Check mains voltage is correct and socket is switched on
	Check IEC lead is OK and connected properly
	Check mains fuse in IEC connector and fuse in plug top
	If fuse blowing repeatedly, refer to qualified service personnel
Ready light stays off	Check remote is connected properly
	If light is permanently off, refer to qualified service personnel
Ready light is on but no haze output on manual or continuous mode	Check fog fluid level
	If fluid is OK and pump working, the lines may be blocked
	Check that nozzle is not blocked or obstructed
	If blocked, clean with fog machine cleaner & distilled water
No haze output on timer function	Ensure timer button is pressed in and timer LED is lit
	Check duration and output settings – test manually if necessary



Disposal: The “Crossed Wheelie Bin” symbol on the product means that the product is classed as Electrical or Electronic equipment and should not be disposed with other household or commercial waste at the end of its useful life. The goods must be disposed of according to your local council guidelines

*Errors and omissions excepted.
Copyright© 2015. AVSL Goup Ltd*