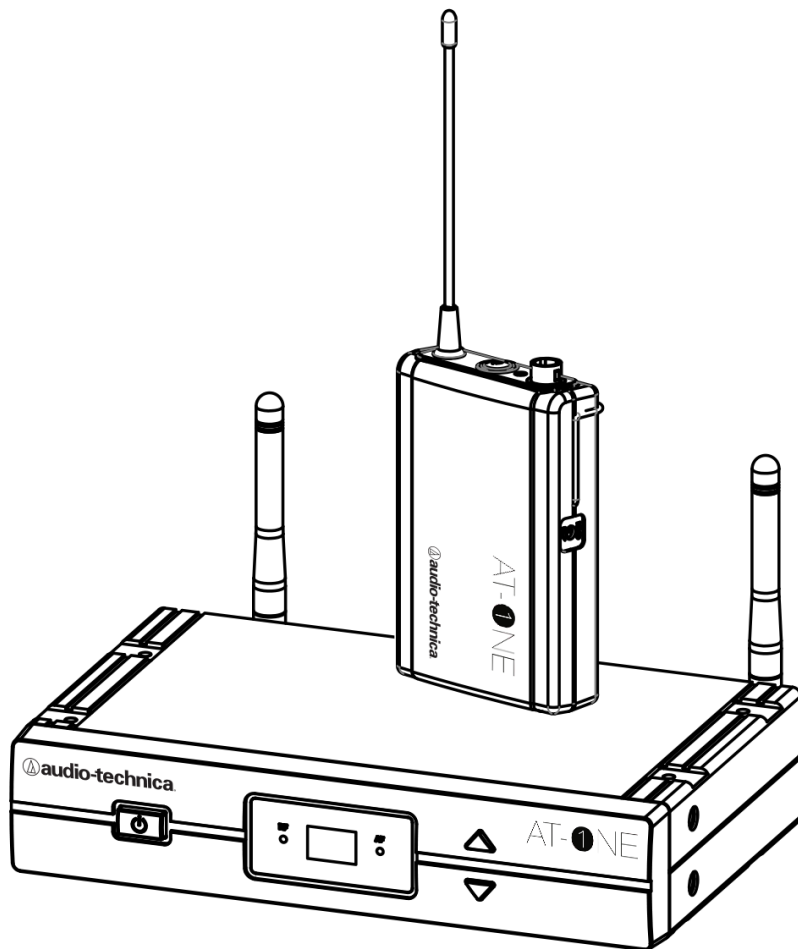
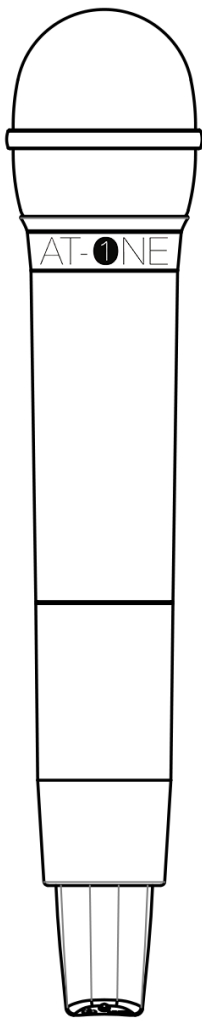


AT-1 ONE

UHF Wireless Microphone System Installation and Operation



Contents

Introduction

- Introduction	1
- Safety	1

System Functions

- Receiver Functions	2-3
- Handheld Transmitter Functions	4
- Bodypack Transmitter Functions	5
- Battery Status	6

System Operation

- System Setup	6
- Receiver Operation	7
- Transmitter Operation	8
- Squelch	9
- Frequencies	9
- Troubleshooting	10
- Rack Mount Setup	11

Specifications

- Overall Specification	12
- Receiver Specification	12
- Bodypack Transmitter Specification	13
- Handheld Transmitter Specification	13

Compliance

- WEEE Regulations	14
- Declaration of Compliance	15

Introduction

Introduction

Thank you for purchasing this Audio-Technica product. This PLL synthesized wireless microphone system operates in the UHF band frequency, with two groups of four frequencies. Please read this manual carefully before operating the AT-One system. This manual covers the function and operation of the wireless microphone system.

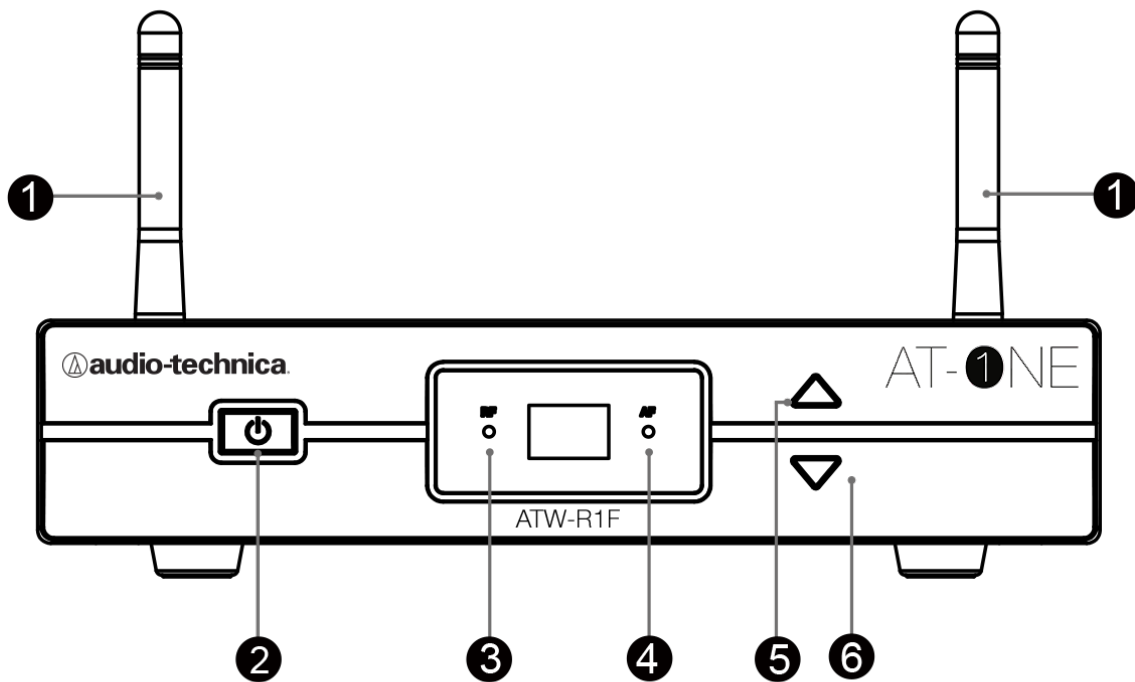
Safety

- To prevent fire or shock hazard, do not expose this appliance to rain or moisture
- To prevent fire, do not cover the ventilation of the apparatus with newspaper, tablecloths, etc.
- Do not expose this apparatus to drips or splashes
- Do not place any objects filled with liquids, such as vases, on the apparatus
- Do not install this apparatus in a confined space such as a bookcase or similar unit
- The apparatus should be located close enough to the AC outlet so that you can easily grasp the AC adapter at any time. In case of emergency, disconnect the AC adapter quickly.
- Danger of explosion if battery is incorrectly replaced. Replace only with the same or equivalent type.
- If the transmitter is not in use for an extended period, remove the batteries to avoid damage
- Do not dispose of used batteries with domestic rubbish. Be sure to dispose of batteries in accordance with your local waste disposal rules.
- When disposing of the equipment, remove the batteries, separate the case, circuit boards and cables, and dispose of all components in accordance with local waste disposal rules.

The circuits inside the receiver and transmitter have been precisely adjusted for optimum performance and compliance with government regulations. Do not attempt to open the receiver or transmitter. To do so will void the warranty, and may cause improper operation.

Receiver Functions

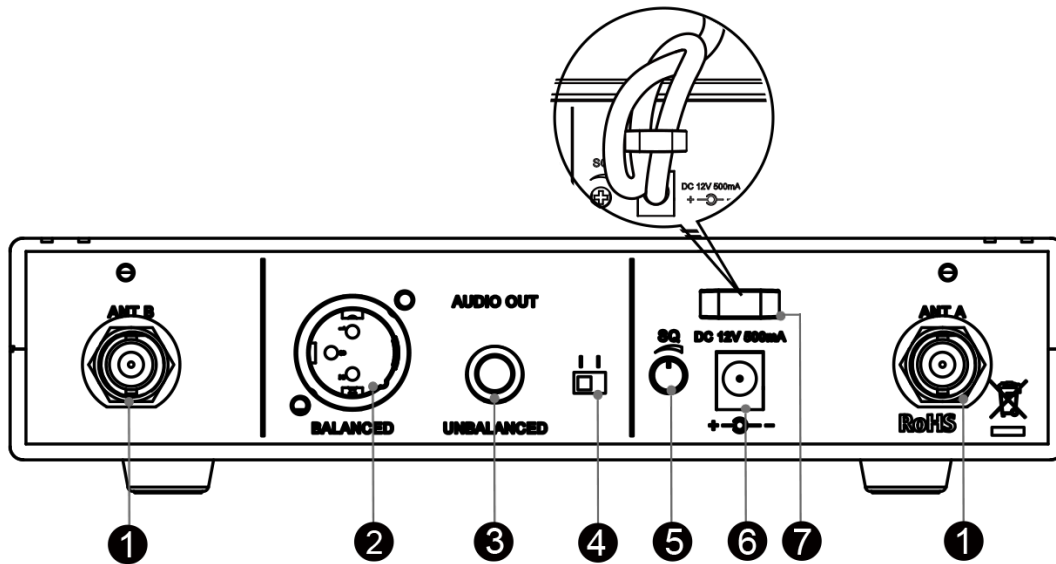
Receiver Front:



- 1. Antenna:** Detachable UHF antenna with BNC connector
- 2. Power Button**
- 3. RF Red LED:** Displays the reception status of the RF signal
- 4. AF Green LED:** Displays the reception status of the AF signal
- 5. UP Channel Button:** Tap forward to select an interference free channel
- 6. DOWN Channel Button:** Tap backward to select an interference free channel

Receiver Functions

Receiver Rear:



1. Antenna BNC Receptacle:

This provides a connection to the supplied antennas or to coaxial cable used with an antenna divider, antenna booster or remote antennas

2. Balanced XLR Audio Output

3. Unbalanced 1/4" Jack Output

4. Mic/Line Switch:

Use this to adjust the audio output of the wireless microphone system for mic level (-20dB) or line-level (0dB)

5. SQ (Squelch):

Turn the squelch to the lowest possible setting (counter clockwise) to eliminate any interfering signals. In RF crowded environments (other wireless microphones, LTE, etc.) it can be required to increase the squelch level (clock wise) to block out unwanted noise. Please note that this will reduce the operating distance of the system, so always seek the lowest possible setting.

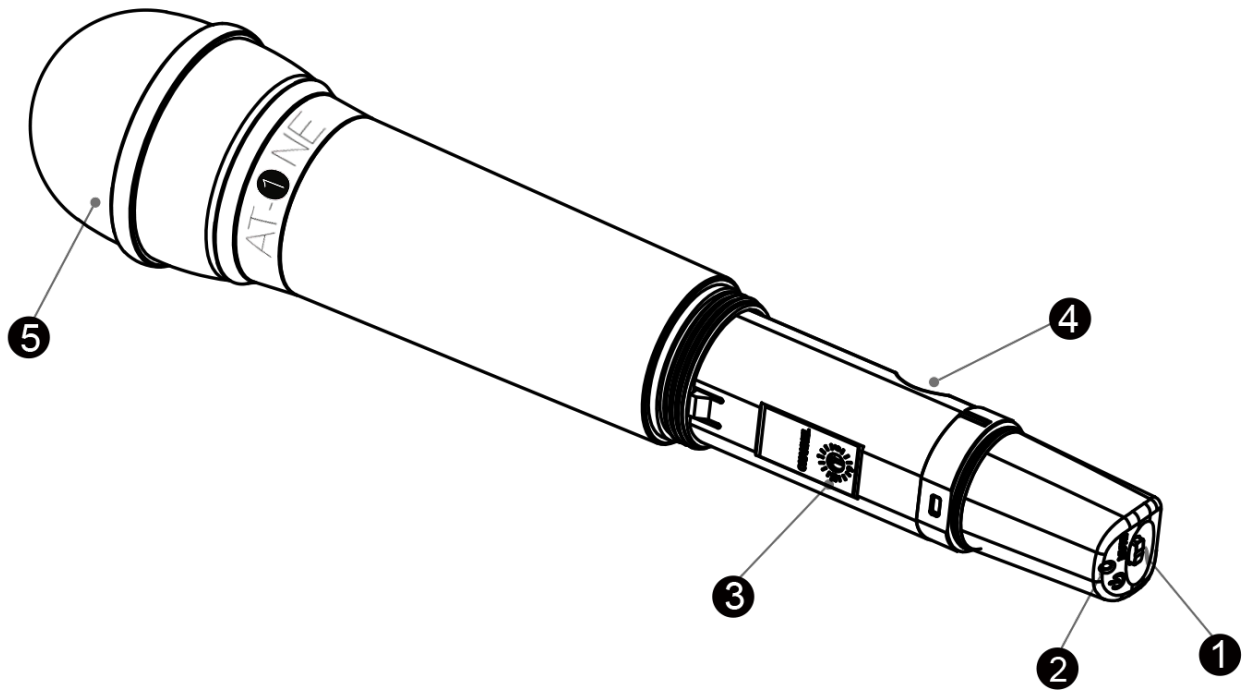
6. DC IN:

DC input connector for the supplied AC adapter

7. Cable Strain

Transmitter Functions

Handheld Transmitter:



1. Power/Mute Button

2. Power/Mute/Battery Status LED

Indicates the power/mute/battery level status

3. Channel Selector:

Change the channel setting from 11-14 or 21-24

4. Battery Compartment:

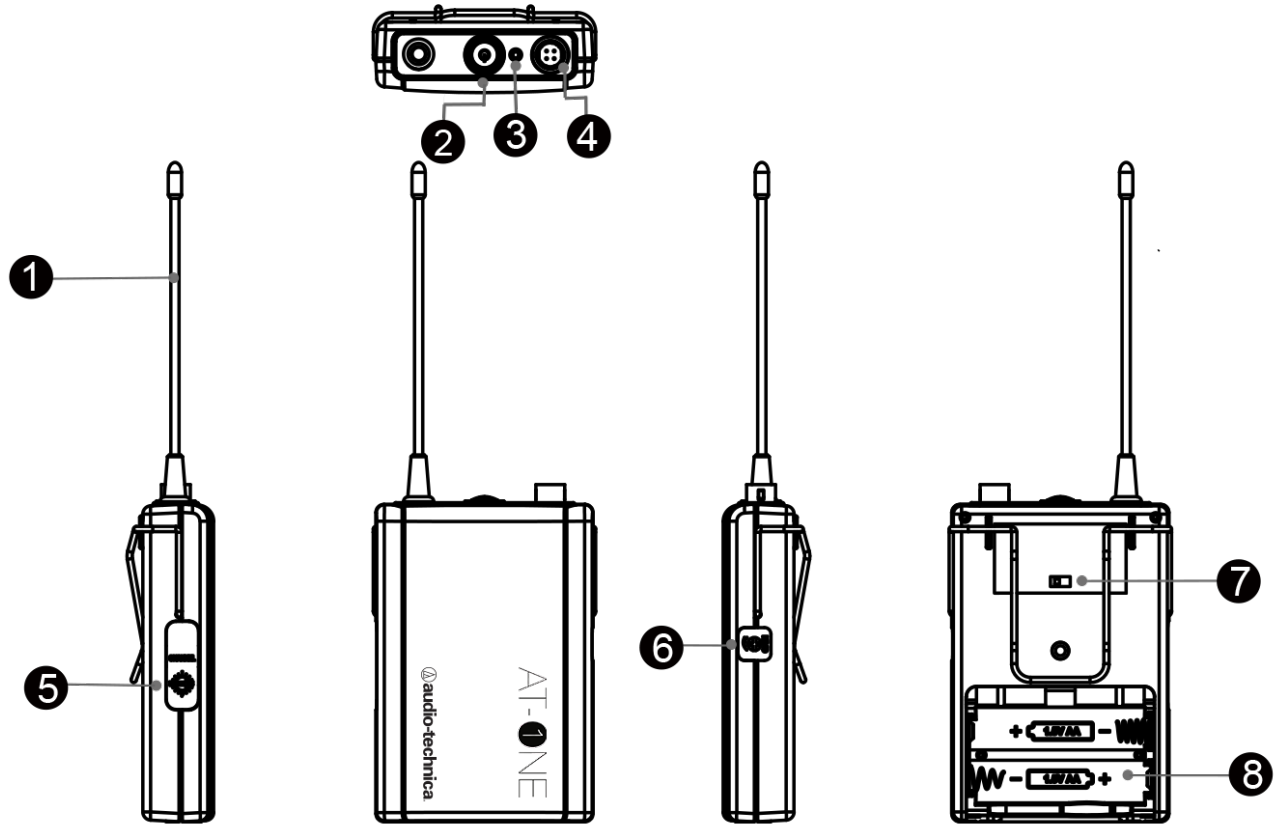
Insert two AA batteries making sure the polarity is correct

5. Grille:

Protects the microphone capsule and protects against wind and breath sound

Transmitter Functions

Bodypack Transmitter:



1. Antenna

2. Power/Mute Button

3. Power/Mute/Battery Status LED:

Indicates the power/mute/battery level status

4. Input Connector:

4-pin locking connector (HRS)

5. Channel Selector:

Change the channel setting from 11-14 or 21-24

6. Gain:

Rotary control adjusts the sensitivity of the transmitter's audio to the level of the connected mic or instrument

7. 10dB Switch:

Activate this switch to attenuate the signal by an additional 10dB.

8. Battery Compartment:

Insert two AA batteries making sure the polarity is correct

Transmitter Functions

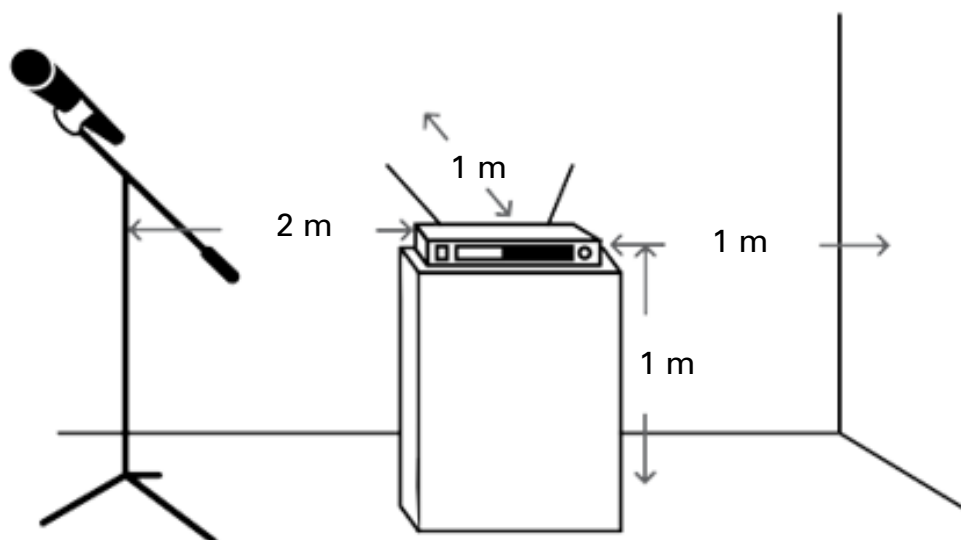
Power/Battery Status LED:

LED	Status
Green	Ready
Red	Muted
Green Flashing	On, low battery
Red Flashing	Muted, low battery
No Light	No power

System Operation

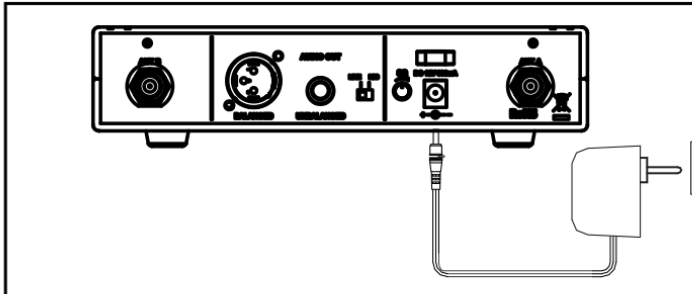
System Setup:

For best operation the receiver should be at least 1 m above the ground and at least 1m away from a wall or metal surface to minimize reflections. The transmitter should be at least 2m from the receiver, as shown in in the diagram below. Keep antennas away from noise sources such as digital equipment, motors, automobiles and neon lights, as well as away from large metal objects.

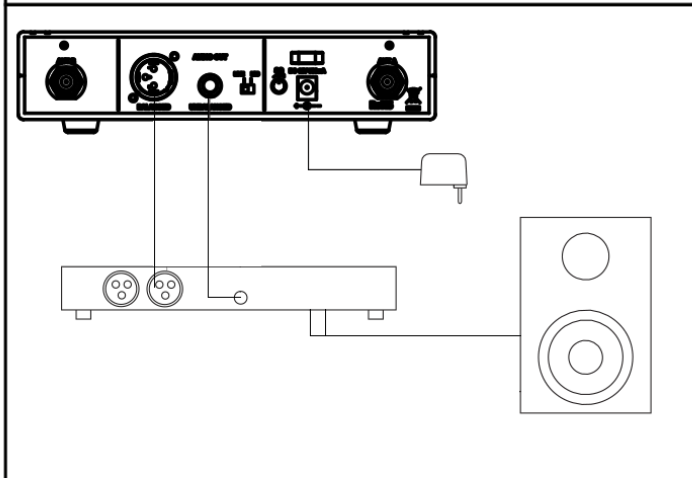


System Operation

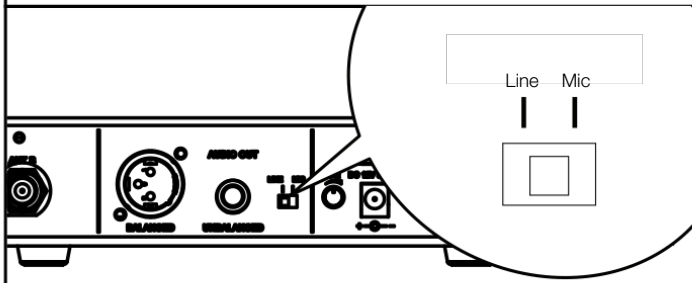
Connecting the receiver:



Plug the DC 12V 500mA power supply into the power connector on the back of the receiver. The power connector is supplied with interchangeable UK and EU adaptors.



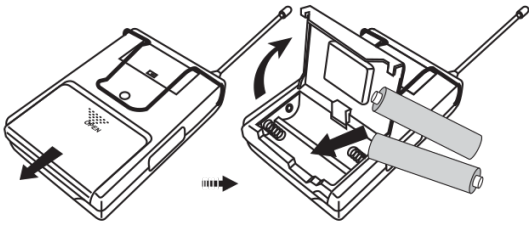
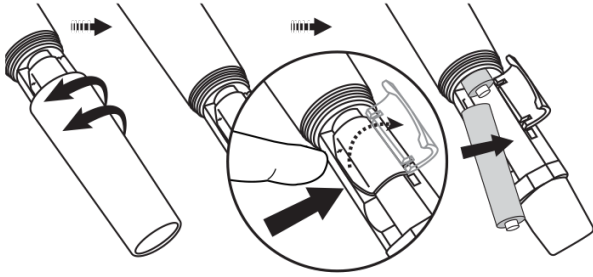
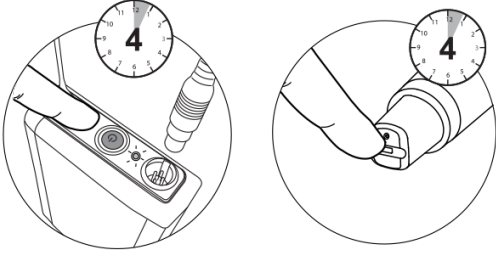
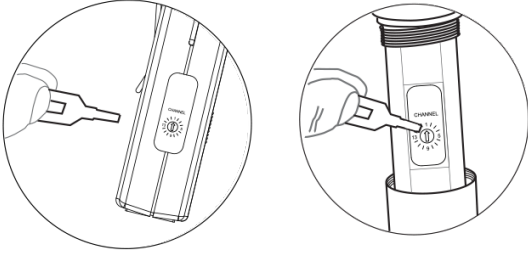
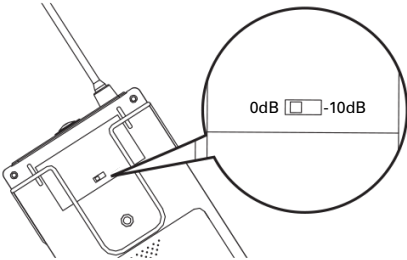
Connect the receiver output to an audio mixer or amplifier input, using a standard audio cable with 3-pin XLR or 6.35mm Jack connectors. Never use balanced and unbalanced audio outputs at the same time, this may cause signal loss or increased noise.



Set the attenuation for mic or line input. Two-position switch adjusts the audio output attenuation to 0 dB or -20 dB. The factory setting is 0 dB.

System Operation

Handheld Microphone/Bodypack Transmitter set up:

	<p>Open the battery cover and insert AA batteries into the battery compartment making sure the polarity is correct.</p>
	<p>Unscrew the bottom of the handheld mic and open the battery cover to insert AA batteries into the battery compartment, making sure the polarity is correct.</p>
	<p>Press and hold the power button on the microphone/bodypack transmitter for 4 seconds to turn on. If the LED remains flashing after 4 seconds it is indicating that the battery is low on power.</p>
	<p>Use the included key to adjust the frequency of the transmitter to be the same as the receiver.</p>
	<p>Use the 0dB/-10dB switch to adjust the audio input level.</p>

System Operation

Squelch

The squelch function is used to adjust the audio output level to suppress the noise levels. If you experience interference in RF spoiled areas (e.g. areas with a lot of mobile phones) or cross talk between transmitters, increase the squelch level until the interference is gone.

Please note that increasing the squelch level will decrease the operating range of the system. If the squelch level is high, you may need to move the transmitter closer to the receiver. To experience the maximum operating range, make sure the squelch is turned to the lowest position.

Frequencies

Group 1		Group 2	
Channel	Frequency [MHz]	Channel	Frequency [MHz]
11	863.300	21	863.700
12	864.300	22	864.700
13	824.875	23	824.400
14	830.850	24	828.650

Each AT-One system comes with Group 1 and Group 2 frequencies available as shown in the table above. The system has been designed in these groups to allow you to use up to four channels in one group together, interference free (subject to national licensing and regulations).

In an environment with two separated event areas (two separate conference rooms e.g.) it is possible to use Group 1 in the first location and Group 2 in the second location.

All frequency usage is subject to National regulations, please check with your local Government authority for usage restrictions.

System Operation

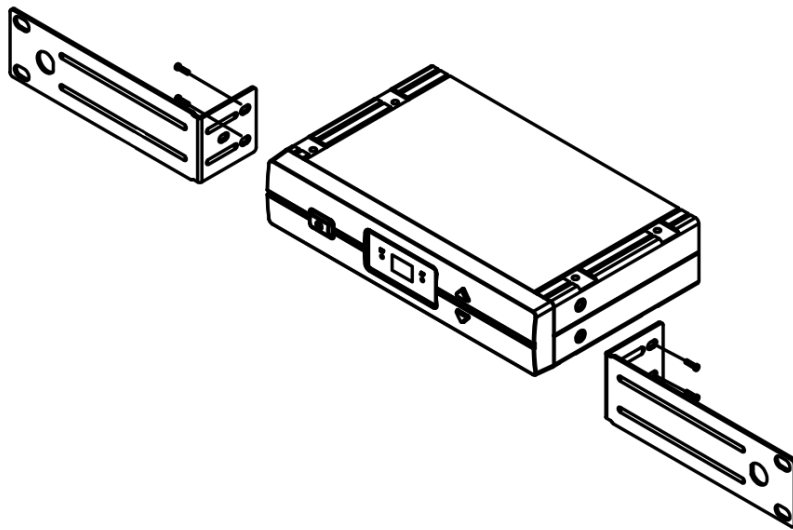
Troubleshooting

Problem	Solution
No Sound	<ul style="list-style-type: none"> - Check the power supply of the transmitter and receiver - Check that the transmitter and receiver are tuned to the same frequency - Check that the receiver is correctly connected to the mixer or amplifier - Check whether the transmitter is too far from the receiver or the Squelch control is set too high - Check for obstructions between the transmitter and receiver
Sound Interference	<ul style="list-style-type: none"> - Check the location of the aerial for obstacles - When using two or more sets simultaneously, make sure the chosen frequencies do not interfere with each other - Check whether the interference is coming from other wireless microphones, TV, radio etc. being used in the area - When using two or more sets keep the minimum distance between the receiver and the transmitter greater than 2m and the distance between the two transmitters greater than 1m to avoid cross talk interference
Distortion	<ul style="list-style-type: none"> - Check whether the receiver volume level is set too high or too low - Check whether the distortion is coming from other wireless microphones, TV, radio etc. being used in the area

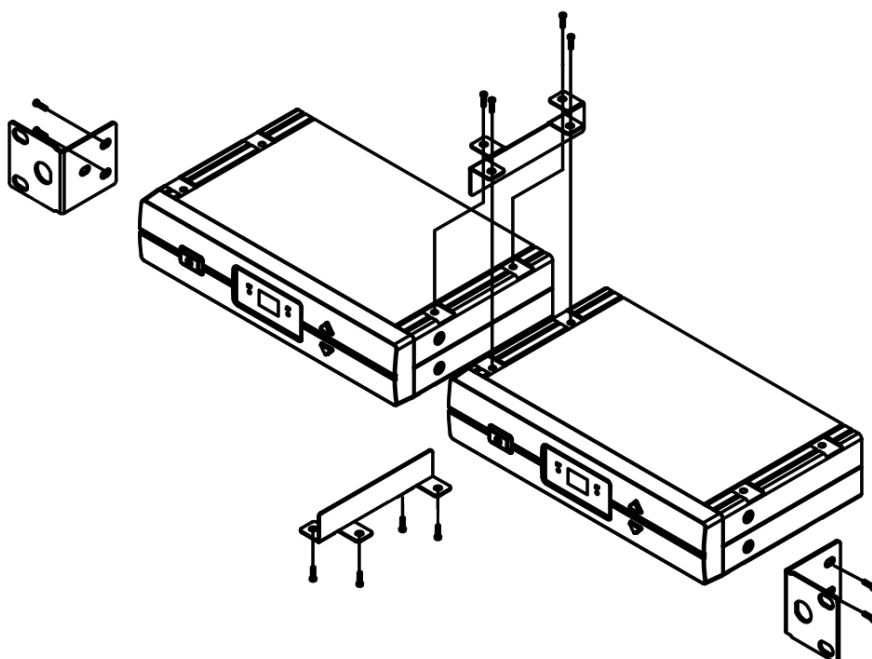
System Operation

Rackmount Setup:

To mount the receiver in a 19" standard rack using the included rack kit, attach the L shaped brackets to the opposite end of the unit and mount in the rack unit.



To connect two receivers in a 19" standard rack using the optional AT8677 rack kit, attach the short L shaped brackets to the opposite end of each unit, and connect the units together using two metal connecting plates.



Specifications

Overall System

Frequency range:	824 - 831 MHz, 863 - 865 MHz
Modulation mode:	FM
Number of frequencies:	2 x 4 frequencies
Operating range:	60m, typical
Frequency response:	60 Hz - 16 kHz
Frequency stability:	+/- 0.005%, phase lock loop frequency control

Receiver Specifications

Receiver system:	Antenna switching diversity
Image rejection:	55 dB minimum
Dynamic range:	HH: 108 dB BP: 103 dB (@ max deviation)
Sensitivity:	10 dB μ V (S/N 60 dB @ 20 kHz deviation)
Total Harmonic Distortion:	<1% - 20 kHz deviation @ 1 kHz
Level control:	Mic / Line (0/-20dB)
Antenna Input:	BNC type, 50 ohms - BIAS voltage 12 V DC 100mA each
Audio Output:	Unbalanced -2dBV, Balanced +4dBV
Output connectors:	Unbalanced: 6.3 mm mono jack, Balanced: XLRM-type
Dimensions:	200 mm x 42 mm x 122 mm (W x H x D)
Weight:	418 g without accessories
Accessories included:	AC Adapter, Antennas, Rack mount adapter
Optional System Accessory:	AT8677 Dual rack mount kit

Specifications

Body-Pack Transmitter

RF Output power:	10 mW
Spurious Emissions:	Follows national regulations
Input connections:	Pin 1: GND Pin 2: INST Pin 3: Mic Pin 4: DC Bias + 10 V
Batteries (not included):	Two 1.5 V AA alkaline
Battery Life:	10 hours - depending on battery type and use pattern
Dimensions:	66 mm x 98 mm x 22 mm (W x H x D)
Weight:	71 g without batteries

Handheld Transmitter

RF Output power:	10 mW
Spurious Emissions:	Follows national regulations
Microphone Element:	Cardioid Condenser
Batteries (not included):	Two 1.5 V AA alkaline
Battery Life:	10 hours - depending on battery type and use pattern
Dimensions:	268 mm long - 52 mm (diameter)
Weight:	277 g without batteries
Accessories included:	Stand clamp

Product compliant in:

AUT, BEL, BGR, HRV, CYP, CZE, DNK, EST, FIN, FRA, DEU, GRC, HUN, IRL, ITA, LVA, LTU, LUX, MLT, NLD, POL, PRT, ROU, SVK, ESP, SWE, GBR

WEEE Regulations

English **Disposal of Old Electrical & Electronic Equipment (Applicable in European countries with separate collection systems)**
This symbol on the product or on its packaging indicates that this product shall not be treated as household waste. Instead it shall be handed over to the applicable collection point for the recycling of electrical and electronic equipment. By ensuring this product is disposed of correctly, you will help prevent potential negative consequences for the environment and human health, which could otherwise be caused by inappropriate waste handling of this product. The recycling of materials will help to conserve natural resources. For more detailed information about recycling of this product, please contact your local city office, your household waste disposal service or the shop where you purchased the product.

Deutsch **Entsorgung von gebrauchten elektrischen und elektronischen Geräten (Anzuwenden in den europäischen Ländern mit einem separaten Sammelsystem für diese Geräte)**
Das Symbol auf dem Produkt oder seiner Verpackung weist darauf hin, dass dieses Produkt nicht als normaler Haushaltsabfall zu behandeln ist, sondern an einer Annahmestelle für das Recycling von elektrischen und elektronischen Geräten abgegeben werden muss. Durch Ihren Beitrag zum korrekten Entsorgen dieses Produkts schützen Sie die Umwelt und die Gesundheit Ihrer Mitmenschen. Umwelt und Gesundheit werden durch falsches Entsorgen gefährdet. Materialrecycling hilft den Verbrauch von Rohstoffen zu verringern. Weitere Informationen über das Recycling dieses Produkts erhalten Sie von Ihrer Gemeinde, den kommunalen Entsorgungsbetrieben oder dem Geschäft, in dem Sie das Produkt gekauft haben.

Français **Traitement des appareils électriques et électroniques en fin de vie (Applicable dans les pays européens disposant de systèmes de collecte sélective)**
Ce symbole, apposé sur le produit ou sur son emballage, indique que ce produit ne doit pas être traité avec les déchets ménagers. Il doit être remis à un point de collecte approprié pour le recyclage des équipements électriques et électroniques. En s'assurant que ce produit est bien mis au rebut de manière appropriée, vous aidez à prévenir les conséquences négatives potentielles pour l'environnement et la santé humaine. Le recyclage des matériaux aidera à conserver les ressources naturelles. Pour toute information supplémentaire au sujet du recyclage de ce produit, vous pouvez contacter votre municipalité, votre déchetterie ou le magasin où vous avez acheté le produit.

Nederlands **Verwijdering van oude Elektrische en Elektronische Apparaten (Toepasbaar in de Europese landen met gescheiden ophaalstelsel)**
Het symbool op het product of op de verpakking wijst erop dat dit product niet als huishoudafval mag worden behandeld. Het moet echter naar een plaats worden gebracht waar elektrische en elektronische apparatuur wordt gerecycled. Als u ervoor zorgt dat dit product op de correcte manier wordt verwijderd, voorkomt u voor mens en milieu negatieve gevolgen die zich zouden kunnen voordoen in geval van verkeerde afvalbehandeling. De recyclage van materialen draagt bij tot het vrijwaren van natuurlijke bronnen. Voor meer details in verband met het recyclen van dit product, neemt u het best contact op met de gemeentelijke instanties, het bedrijf of de dienst belast met de verwijdering van huishoudafval of de winkel waar u het product hebt gekocht.

Dansk **Håndtering af udtjent elektrisk og elektronisk udstyr (Gælder for europæiske lande med separate indsamlingsystemer)**
Dette symbol på produktet eller emballagen angiver, at produktet ikke må behandles som husholdningsaffald. Det skal i stedet indleveres på en deponeringsplads specielt indrettet til modtagelse og genbrug af elektrisk og elektronisk udstyr. Ved at sikre, at produktet bortskaffes korrekt, forebygges de eventuelle negative miljø- og sundhedsskadelige påvirkninger, som en ukorrekt affaldshåndtering af produktet kan forårsage. Genbrug af materialer vil medvirke til at bevare naturens ressourcer. Yderligere information om genbrug af dette produkt kan fås hos myndighederne, det lokale renovationsselskab eller i butikken, hvor produktet blev købt.

Svenska **Omhändertagande av gamla elektriska och elektroniska produkter (användbara i europeiska länder med separata insamlingsystem)**
Symbolen på produkten eller emballaget anger att produkten inte får hanteras som hushållsavfall. Den skall i stället lämnas in på uppsamlingsplats för återvinning av el- och elektronikkomponenter. Genom att säkerställa att produkten hanteras på rätt sätt bidrar du till att förebygga eventuella negativa miljö- och hälsoeffekter som kan uppstå om produkten kasseras som vanligt avfall. Återvinning av material hjälper till att bibehålla naturens resurser. För ytterligare upplysningar om återvinning bör du kontakta lokala myndigheter eller sophämtningstjänst eller affären där du köpte varan.

本説明文はヨーロッパ電気電子機器回収システムにかかわる案内です。
本説明文是关于欧洲电器电子机械回收系统的介绍。
이 설명문은 유럽 전기전자 기기 회수 시스템에 관련된 안내입니다.

Español **Tratamiento de los equipos eléctricos y electrónicos al final de su vida útil (Aplicable en países europeos con sistemas de recogida selectiva de residuos)**
Este símbolo en su equipo o su embalaje indica que el presente producto no puede ser tratado como residuos domésticos normales, sino que deben entregarse en el correspondiente punto de recogida de equipos eléctricos y electrónicos. Asegurándose de que este producto es desechado correctamente, Usted está ayudando a prevenir las consecuencias negativas para el medio ambiente y la salud humana que podrían derivarse de la incorrecta manipulación de este producto. El reciclaje de materiales ayuda a conservar los recursos naturales. Para recibir información detallada sobre el reciclaje de este producto, por favor, contacte con su ayuntamiento, su punto de recogida más cercano o el distribuidor donde adquirió el producto.

Português **Tratamento de Equipamentos Eléctricos e Electrónicos no final da sua vida útil (Aplicável em países Europeus com sistemas de recolha independentes)**
Este símbolo no produto ou na sua embalagem indica que este não deve ser tratado como resíduo doméstico. Ao invés, será colocado no ponto de recolha destinado a reciclagem de equipamento eléctrico e electrónico. Assegurando-se que este produto é despejado correctamente, você irá prevenir potenciais consequências negativas para o meio ambiente bem como para a saúde humana, que de outra forma poderiam ocorrer pela manipulação imprópria deste produto. A reciclagem dos materiais contribuirá para a conservação dos recursos naturais. Para obter mais informação detalhada sobre a reciclagem deste produto, por favor contacte o município acentos onde reside, os serviços de recolha de resíduos da sua área ou a loja onde o produto foi adquirido.

Italiano **Trattamento del dispositivo elettrico od elettronico (Applicabile in tutti i paesi dell'Unione Europea che utilizzano un sistema di raccolta differenziata)**
Questo simbolo sul prodotto o sulla confezione indica che il prodotto non deve essere riposto in un punto di raccolta adibito a rifiuti domestici. Deve invece essere trattato nel punto di raccolta appropriato per il riciclo di apparecchi elettrici ed elettronici. Assicurandovi che questo prodotto sia smaltito correttamente, contribuirete a prevenire potenziali conseguenze negative per l'ambiente e per la salute che potrebbero altrimenti essere causate dal uno smaltimento inadeguato. Il riciclaggio dei materiali aiuta a conservare le risorse naturali. Per informazioni più dettagliate circa il riciclaggio di questo prodotto, potete contattare il vostro ufficio comunale, il servizio locale di smaltimento rifiuti oppure il negozio dove l'avete acquistato.

Język polski **Pozbywanie się zużytego sprzętu (Stosowane w krajach europejskich posiadających system selektywnej zbiórki odpadów)**
Takie oznaczenie na produkcie lub jego opakowaniu wskazuje, że produkt nie może być traktowany jako odpad komunalny lecz powinno się go dostarczyć do odpowiedniego punktu zbiórki sprzętu elektrycznego i elektronicznego w celu recyklingu. Zapewnianie prawidłową dyspozycję dotyczącą produktu, zapobiega się jego negatywnemu działaniu na środowisko oraz zdrowie ludzi, jakie mogłoby wystąpić w przypadku niewłaściwego postępowania. Recykling materiałów pomoże w ochronie bogactw naturalnych. W celu uzyskania bardziej szczegółowych informacji na temat recyklingu tego produktu, należy skontaktować się z urzędem miejskim, ze służbami oczyszczania miasta lub ze sklepem, w którym ten produkt został zakupiony.

Русский **Утилизация электрического и электронного оборудования (директива применяется в странах, где действуют система раздельного сбора отходов)**
Данный знак на устройстве или его упаковке обозначает, что данное устройство нельзя утилизировать вместе с прочими бытовыми отходами. Его следует сдать в соответствующий приемный пункт переработки электрического и электронного оборудования. Неправильная утилизация данного изделия может привести к потенциально негативному влиянию на окружающую среду и здоровье людей, поэтому для предотвращения подобных последствий необходимо выполнять специальные требования по утилизации этого изделия. Переработка данных материалов поможет сохранить природные ресурсы. Для получения более подробной информации о переработке этого изделия обратитесь в местные органы городского управления, службу сбора бытовых отходов или в магазин, где было приобретено изделие.

Suomi **Käytöstä poistetun sähkö- ja elektroniikkalaitteen hävitys (Euroopan maiden keräysjärjestelmät)**
Symboli, joka on merkitty tuotteen tai sen pakkaukseen, osoittaa, että tätä tuotetta ei saa käsitellä talousjätteenä. Tuote on sen sijaan luovutettava sopivaan sähkö- ja elektroniikkalaitteiden kierrätyksestä luolettavaan keräyspisteeseen. Tämän tuotteen asianmukaisen hävittämisen varmistamisella autetaan estämään sen mahdolliset ympäristöön ja terveyteen kohdistuvat haittavaikutukset, joita voi aiheutua muussa tapauksessa tämän epäasianmukaisesta jätehävityksestä. Materiaalien kierrätyksessä säästää luonnonvarjoja. Tarkempia tietoja tämän tuotteen kierrättämisestä saa paikallisesta kunnantoinmistosta.

Importer for Europe / Importateur pour l'Europe / Importeur für Europa / Importatore per l'Europa / Importador para Europa / Importador para Europa / Importeur voor Europa / Вноситель за Европа / Uvoznik za Evropu / Dovozeo pro Evropu / Importor for Europa / Euroopa Importija / Euroopan maahantuojat / Εισαγωγέας για την Ευρώπη / Európai Importőr / Allmhaireoir don Eoraip / Importatōis Eirōpai / Importuotojas Europeje / Importatur għall-Ewropa / Importer dla Europy / Importator pentru Europa / Dovozca pre Európu / Uvoznik za Evropu / Importör för Europa

Audio-Technica Limited
Technica House, Unit 5, Millennium Way, Leeds LS11 5AL, United Kingdom

Manufactured by / fabriqué par / hergestellt durch / Prodotto da / fabricado por / fabricado por / vervaardigd door / Произведено от / Proizvodac / Výrobce / produceret af / valmistatud / Valmistaja / Κατασκευάστηκε από / Gyártó / mħonaraigh / ražojis / Gamintojas / maniffatturat minn / wyprodukowane przez / Produs de / Výrobca / Proizvajalec / tillverkad av

Audio-Technica Corp.
2-46-1 Nishi-naruse, Machida, Tokyo 194-8666, Japan

Made In Taiwan

Declaration of Compliance

BG С настоящото, Audio-technica Corp. декларира, че ATW-T1F, ATW-T3F и ATW-R1F са произведени в съответствие с Директива 1999/5/EC. Пълния текст на Декларацията за съответствие, може да се намери на следния интернет адрес: eu.audio-technica.com/doc

HR Ovime Audio-Technica izjavljuje da su ATW-T1F, ATW-T3F i ATW-R1F u skladu s Direktivom 1999/5/EC. Puni tekst izjave EU o sukladnosti dostupan je na sljedećoj internet adresi: eu.audio-technica.com/doc

CZ Timto Audio-Technica Corporation prohlašuje, že ATW-T1F, ATW-T3F a ATW-R1F jsou v souladu se směrnicí 1999/5/EC. Úplné znění EU prohlášení o shodě je k dispozici na této internetové adrese: eu.audio-technica.com/doc

DK Herved erklærer Audio-Technica Corp. at ATW-T1F, ATW-T3F og ATW-R1F er i overensstemmelse med direktiv 1999/5/ EC. Den fulde ordlyd af EU-overensstemmelseserklæringen er tilgængelig på følgende internetadresse: eu.audio-technica.com/doc

NL Hierbij verklaart Audio-Technica Corp. dat ATW-T1F, ATW-T3F en ATW-R1F in overeenstemming zijn met Richtlijn 1999/5/EC. De volledige tekst van EU Conformiteitsverklaring is beschikbaar op het volgende internet adres: eu.audio-technica.com/doc

GB Hereby, Audio-Technica Corp. declares that ATW-T1F, ATW-T3F and ATW-R1F are in compliance with Directive 1999/5/EC. The full text of the EU declaration of conformity is available at the following internet address: eu.audio-technica.com/doc

EE Käesolevaga Audio-Technica Corp., kinnitab, et ATW-T1F, ATW-T3F ja ATW-R1F on vastavuses 1999/5/EC direktiiviga. EU vastavusdeklaratsiooni terviktekst on kättesaadav järgmisel Interneti-aadressil: eu.audio-technica.com/doc

FI Me, Audio-Technica Corp., vakuutamme yksinomaan omalla vastuulla että ATW-T1F, ATW-T3F ja ATW-R1F täyttävät direktiivin 1999/5/EC. EU-vaatimustenmukaisuusvakuutus on luettavissa kokonaisuudessaan osoitteessa: eu.audio-technica.com/doc

FR Par la présente, Audio-Technica Corp. Déclare que ATW-T1F, ATW-T3F et ATW-R1F sont conformes à la Directive 1999/5/EC. Le texte complet de la déclaration de conformité est disponible sur le site Internet suivant: eu.audio-technica.com/doc

DE Hiermit erklärt die Audio-Technica Corp., dass ATW-T1F, ATW-T3F und ATW-R1F den Richtlinien 1999/5/EC entsprechen. Den kompletten Wortlaut der EU-Konformitätserklärung finden Sie unter folgender Internet-Adresse: eu.audio-technica.com/doc

GR Με το παρόν , η Audio Technica Corp., δηλώνει ότι τα ATW-T1F , ATW-T3F και ATW-R1F συμφωνούν με την οδηγία 1999/5/EC . Το πλήρες κείμενο της οδηγίας της EU (Δήλωση Συμμόρφωσης) , είναι διαθέσιμο στην παρακάτω διεύθυνση διαδικτύου: eu.audio-technica.com/doc

HU Jelen Nyilatkozattal az Audio-Technica Corporation kijelenti, hogy az ATW-T1F, ATW-T3F és ATW-R1F megfelelnek a 1999/5/EC Irányelvnek. Az EU Megfelelésségi Nyilatkozat teljes szövege az alábbi internetcímen érhető el: eu.audio-technica.com/doc

IE Le seo, dearbhaíonn Audio-Technica Corp. go bhfuil ATW-T1F, ATW-T3F agus ATW-R1F i gcomhréir le treoir 1999/5/EC. Tá an téacs iomlán dearbhú comhréireachta An Aontais Eorpaigh le fáil ag an seoladh idirlín seo a leanas: eu.audio-technica.com/doc

IT Con la presente, Audio-Technica Corp. dichiara che ATW-T1F, ATW-T3F e ATW-R1F sono conformi alla direttiva 1999/5/EC. Il testo completo della dichiarazione di conformità EU è disponibile al seguente indirizzo internet: eu.audio-technica.com/doc

LV Ar šo Audio-Technica Corporation deklarē, ka ATW-T1F, ATW-T3F un ATW-R1F atbilst Direktīvai 1999/5/EC. Pilns ES Atbilstības Deklarācijas teksts ir pieejams sekojošā Interneta adresē: eu.audio-technica.com/doc

LT Šiuo dokumentu, Audio-Technica korporacija pareiškia, kad ATW-T1F, ATW-T3F ir ATW-R1F atitinka direktyvą 1999/5/EC. Pilną ES atitikties deklaracijos tekstą galima rasti šiuo internetiniu adresu: eu.audio-technica.com/doc

MT Il-Korporazzjoni Audio-Technica hawn tiddikjara li ATW-T1F, ATW-T3F, ATW-R1F, huma konformi mad-Direttiva 1999/5/EC. Dan id-dokument tad-di rettiva ta' konformita mill EU jinstab f'dan l-indirizz tal-internet: eu.audio-technica.com/doc

PL Niniejszym, firma Audio-Technica, oświadcza, że ATW-T1F, ATW-T3F, ATW-R1F są zgodne z dyrektywą 1999/5/EC. Pełny tekst deklaracji zgodności EU jest dostępny pod następującym adresem internetowym: eu.audio-technica.com/doc

PT Pela presente, Audio-Technica Corp. declara que ATW-T1F, ATW-T3F e ATW-R1F cumprem com a Diretiva 1999/5/EC. O texto completo da declaração de conformidade da UE está disponível no seguinte endereço de Internet: eu.audio-technica.com/doc

RO Prin prezenta declarație Audio-Technica Corporation confirmă, că produsele ATW-T1F, ATW-T3F și ATW-R1F sunt conforme cu directivele 1999/5/EC. Declarația de Conformitate EU completă poate fi accesată prin adresa următoare: eu.audio-technica.com/doc

SK Týmto spoločnosť Audio-Technica Corp. potvrdzuje, že ATW-T1F, ATW-T3F a ATW-R1F sú v súlade s Nariadením EÚ č. 1999/5/EC. Úplné znenie EU vyhlásenia o zhode je dostupné na nasledujúcej internetovej adrese: eu.audio-technica.com/doc

SI S tem Audio-Technica Corp., izjavlja, da so ATW-T1F, ATW-T3F in ATW-R1F v skladu z Direktivo 1999/5/EC. Celotno besedilo izjave EU o skladnosti je na voljo na naslednjem spletnem naslovu: eu.audio-technica.com/doc

ES Por la presente, Audio-Technica Corp. declara que ATW-T1F, ATW-T3F y ATW-R1F cumplen con la Directiva 1999/5/EC. El texto completo de la declaración de conformidad de la UE está disponible en la siguiente dirección de Internet: eu.audio-technica.com/doc

SE Härmed försäkrar Audio-Technica Corp., att ATW-T1F, ATW-T3F och ATW-R1F överstämmer med direktiv 1999/5/EC. Den fullständiga texten av EU direktiv finner ni på följande Internetadress: eu.audio-technica.com/doc

A full copy of the statement of conformity may be obtained from: eu.audio-technica.com/doc

CAUTION! Electrical shock can result from removal of the receiver cover. Refer servicing to qualified service personnel.

- To prevent fire or shock hazard, do not expose this appliance to rain or moisture.
- To prevent fire, do not place any naked flame sources (such as lighted candles) on the apparatus.
- To prevent fire do not cover the ventilation of the apparatus with newspaper, tableclothes, curtains etc.
- Do not expose this apparatus to drips or splashes.
- Do not place any objects filled with liquids, such as vases, on the apparatus.
- Do not install this apparatus in a confined space such as a bookcase or similar unit.
- The apparatus should be placed close enough to the AC outlet so that you can easily grasp the AC adaptor at any time.
- In case of emergency disconnect the AC adaptor quickly.
- Danger of explosion if battery incorrectly replaced. Replace only with the same or equivalent type.
- Always consider environmental issues and follow your local regulations when disposing of batteries. Do not expose batteries to excessive heat.

The circuits inside the receiver and transmitter have been precisely adjusted for optimum performance and compliance with federal regulations. Do not attempt to open the receiver or transmitter. To do so will void the warranty, and may cause improper operation.

Notice to individuals with implanted cardiac pacemakers or AICD devices:

Any source of RF (Radio Frequency) energy may interfere with normal operation of the implanted device. All microphones have low-power transmitters (less than 0.05 watts output) which are unlikely to cause difficulty, especially if they are at least a few inches away.

However, since a body-pack transmitter typically is placed against the body, we suggest attaching it to a belt rather than a shirt pocket where it may be immediately adjacent to the medical device.

Note also that any medical device disruption will cease when the RF transmitting source is turned off. Please contact your physician or medical device provider if you have any questions, or experience any problems with the use of this or any other RF equipment.

Please note that wireless frequencies are shared with other radio services.

If you need assistance with operation or frequency selection please contact your dealer or Audio-Technica. Extensive wireless information is also available at www.audio-technica.com

Audio-Technica Ltd

Technica House
Unit 5 Millenium Way
Leeds
LS11 5AL
UNITED KINGDOM
Tel: +44(0) 113 2771441
Fax: +44(0) 113 2704836

Audio-Technica SAS

11 Rue des Pyramides
75001 Paris
FRANCE
Tel: +33(0) 1 43 728282
Fax: +33(0) 1 43 726070

Audio-Technica Niederlassung Deutschland

Lorenz-Schott-Str. 5
D-55252 Mainz-Kastel
GERMANY
Tel: +49(0) 6134 25734 0
Fax: +49(0) 6134 25734 50

Audio-Technica Central Europe Ltd

Fogado u 3
H-1107 Budapest
HUNGARY
Tel: +36(0) 433 34 08
Fax: +36(0) 431 90 06