

Ref. Nr. 154.074



# WI-DMX WIRELESS RECEIVER

# MANUAL

Thank you for purchasing our company products. Please read these instructions carefully to enjoy optimum performance and a longer service life before you start to use.

## CONTENTS

CONTENTS ..... 2

Unpacking Inspections ..... 2

    Unpacking instructions ..... 2

    Checking the contents of the carton:..... 3

Safety Instructions ..... 3

Product Overview ..... 3

Functions Introductions ..... 4

    Main Functions ..... 4

Operation Instructions ..... 4

    Comparison between channel and frequency ..... 4

    Operating ..... 4

    Auto frequency selection ..... 4

        Auto frequency selection ..... 4

        Cancel matching ..... 4

        Match with multiple group ..... 4

        One transmitter and multiple receivers ..... 4

    Functions for 3-pin male and female connectors ..... 5

        DMX512 signal input /output ..... 5

    LED Function ..... 5

Maintenance ..... 5

Specification ..... 5

CE & R&TTE Declaration of Conformity ..... 7

## UNPACKING INSPECTIONS

### Unpacking instructions

- Please unpack the carton and check the goods carefully when you receive it , if discover packing damage, shortage or quality problem, please notify the shipper and reject the goods.
- Before using this product, please read the instructions carefully and keep it in a safe place for future reference.

## Checking the contents of the carton:

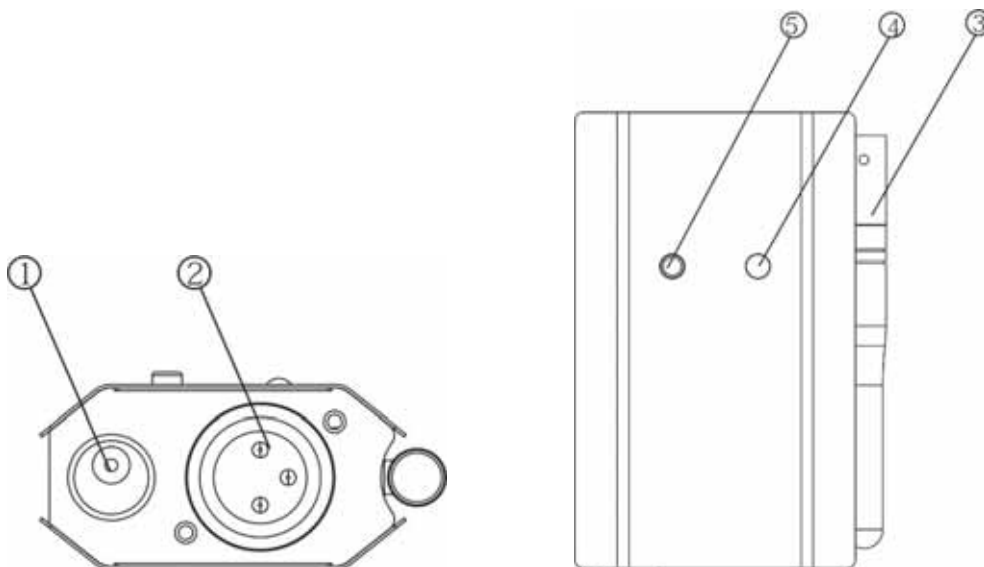
The product, Adapter, Instruction Manual



## SAFETY INSTRUCTIONS

- The product is used in door only.
- Never clean the fixture by water, thinner or other dissolved agent.
- Never put tiny metal objects such as a screwdriver, iron wire and coins, etc. into the internal or stretch into the machine in case of short circuit .
- Please make sure to connect the proper voltage and do not higher or lower than that stated on the decal or rear panel of the product .
- Stop using the product once there is sparks when connecting with the power plug .
- Can not operate product with wet hands and never place it near the water or other liquid.
- Make sure there are no flammable materials close to the fixture while operating . Always install it in a location with adequate ventilation.
- The ambient temperature is no more than 40°C(104°F) .
- Never clean the fixture by water, thinner or other dissolved agent.
- With receive and transmit function, it can be used within 250 meters in the clearing field.

## PRODUCT OVERVIEW



1. Power input (9V DC)
2. DMX signal Output
3. Antenna

4. Signal indicator
5. Clear button

# FUNCTIONS INTRODUCTIONS

## Main Functions

- Auto frequency selection.
- With receive functions and 16 working frequencies.
- Can receive signal wirelessly.

# OPERATION INSTRUCTIONS

## Comparison between channel and frequency

Channel	Frequency		
001	2.4330 GHz	009	2.4586 GHz
002	2.4362 GHz	010	2.4618 GHz
003	2.4394 GHz	011	2.4650 GHz
004	2.4426 GHz	012	2.4682 GHz
005	2.4458 GHz	013	2.4714 GHz
006	2.4490 GHz	014	2.4746 GHz
007	2.4522 GHz	015	2.4778 GHz
008	2.4554 GHz	016	2.4810 GHz

## Operating

Input power 9V DC

The functions of the receiver are adjusted by the "clear" button.

## Auto frequency selection

### Auto frequency selection

Press the button <AUTO> on the panel of the wireless transmitter the signal of the receiver flashes, which means the frequencies of the two fixtures have already matched successfully. With memory save functions of the transmitter, if the matching data is not removed, the two fixtures can match to work all the time. You do not need to rematch next time.

### Cancel matching

Press the button <clear> on the panel of the receiver or the <Auto> button of the receiver until the signal indicator does not flash, which means the matching data has been cancelled. So the transmitter can work to match with other receivers.

### Match with multiple group

Match a group of receivers and transmitters firstly when you make many groups match to work. (Disconnect the power supply of others and only keep one group), and then turn on another group, never power on for matching at the same time. You can power off for the already matched fixtures and you can also make them not power off.

### One transmitter and multiple receivers

Match one transmitter with one receiver firstly and then power off the receiver after matching, match another receiver with the transmitter, so the transmitter can work with multiple receivers after finishing matching.

Note:

Make sure the distance of the two controllers is between 0.6 and 10 meters when matching and they can be used far away after matching successfully.

With memory save functions, the work mode and frequency band are kept before power off.

## Functions for 3-pin male and female connectors

### DMX512 signal input /output

1: DMX Signal coverage, 2: DMX signal, 3: DMX signal +

## LED Function

Power: Power Indicator

Signal: Signal Indicator

## MAINTENANCE

The unit should be cleaned periodically to ensure the optimum performance, the smudginess can decrease the life of light and the output of light is affected by the dust which can make the machine overheating. In general, make the maintenance at least two times a month. Be sure to power off the unit before cleaning.

Do not clean until the unit recovers normal temperature since high temperature for using, use the lens tissue or soft cotton cloth with alcohol to wipe gently.

Cleaning frequency depends on the environment in which the fixture operates, damp, smoky or dirty surrounding can cause greater accumulation of dirt on the optics. Never rub or press strongly on the panel.

## SPECIFICATION

Voltage Adapter..... 100-240V AC 50/60Hz  
Voltage..... 9VDC / 500mA  
Power..... 4.5W  
Wireless DMX frequency ..... 2.433GHz – 2.481GHz  
Distance:..... R-T signal far from 250 meters  
Weight.....0.18kg  
Size.....L96 x W65 x H32mm





tronios  
Sound & Light

## CE & R&TTE DECLARATION OF CONFORMITY

Importer: TRONIOS BV  
Bedrijvenpark Twente 415  
7602 KM - ALMELO

Tel : 0031546589299  
Fax : 0031546589298  
The Netherlands

Product number: **154.074**  
Product Description: Beamz, WI-DMX Wireless Receiver

Regulatory Requirement: EN 60950-1:2006+A1:2010  
EN 301489-1 V1.8.1  
EN 301489-3 V1.4.1  
EN 300440-1 V1.6.1  
EN 300440-2 V1.4.1

The product meets the requirements stated in the above mentioned Standards. This certificate does not cover the aspects that may be relevant such as performance and fitness for purpose.

Almelo,

10-03-2012

Signature:

Specifications and design are subject to change without prior notice..

**[www.tronios.com](http://www.tronios.com)**

Copyright © 2013 by TRONIOS the Netherlands