

Ref. No.: 150.553

LCB-24 LED COLORUNIT 8X3W TRI DMX



MANUAL

Thank you for purchasing our company products.

Please read these instructions carefully to enjoy optimum performance and a longer service life before you start to use.

CONTENTS

Unpacking Inspections	2
Unpacking instructions	2
Checking the contents of the carton:.....	2
Safety Instructions.....	2
Functions Introductions	3
Main Functions	3
System menu	4
Operating instructions	5
DMX channels	6
Maintenance.....	7
Specification	7

UNPACKING INSPECTIONS

Unpacking instructions

- Please unpack the carton and check the goods carefully when you receive it , if discover packing damage, shortage or quality problem, please notify the shipper and reject the goods.
- Before using this product, please read the instructions carefully and keep it in a safe place for future reference.

Checking the contents of the carton:

The product, Power cord, Instruction Manual, Mounting Brackets + screws

SAFETY INSTRUCTIONS

- Safety and regulatory power socket with high quality output should be used .
- Always connect the product to a grounded circuit to avoid the risk of electrocution.
- Never put tiny metal objects such as a screwdriver, iron wire and coins, etc. into the internal or stretch into the machine in case of short circuit .
- Please make sure to connect the proper voltage and do not higher or lower than that stated on the decal or rear panel of the product .
- Avoid hitting, crashing or squeezing with other objects in transportation. Never carry the product from the power cord or any moving part . Always use the hanging / mounting bracket or the handles.
- The product is used in door only .
- Never pull or tug on the cord and change it for another one , stop using it when it is damaged or becomes hot .
- Stop using the product once there is sparks when connecting with the power plug .
- Can not operate product with wet hands and never place it near the water or other liquid.

- Make sure there are no flammable materials close to the fixture while operating . Always install it in a location with adequate ventilation.
- Never replace the lighting source with different specification and rating when the original one is damaged.
- Make sure to power off before replacing the light source or the fuse. Never do it while it is on.
- The ambient temperature is no more than 40°C(104°F) .
- Never clean the fixture by water, thinner or other dissolved agent .
- Stop using the product in case of a serious operating problem and send it to our maintenance agent immediately. Never repair by non-professional workers .
- Avoid direct eye exposure to the light source while the product is on.

SPECIFICATION

No. of LEDs	8x 3W Tri-color
DMX channels	3, 5, 8, or 14
DMX connection	3-pin XLR
Power Supply	100-240Vac / 50Hz
Consumption	60W
Dimensions	505 x 130 x 66mm (LxWxH)
Weight	2.7kg

MAINTENANCE

The unit should be cleaned periodically to ensure the optimum performance, the smudginess can decrease the life of light and the output of light is affected by the dust which can make the machine overheating. In general, make the maintenance at least two times a month. Be sure to power off the unit before cleaning .

Do not clean until the unit recovers normal temperature since high temperature for using, use the lens tissue or soft cotton cloth with alcohol to wipe gently.

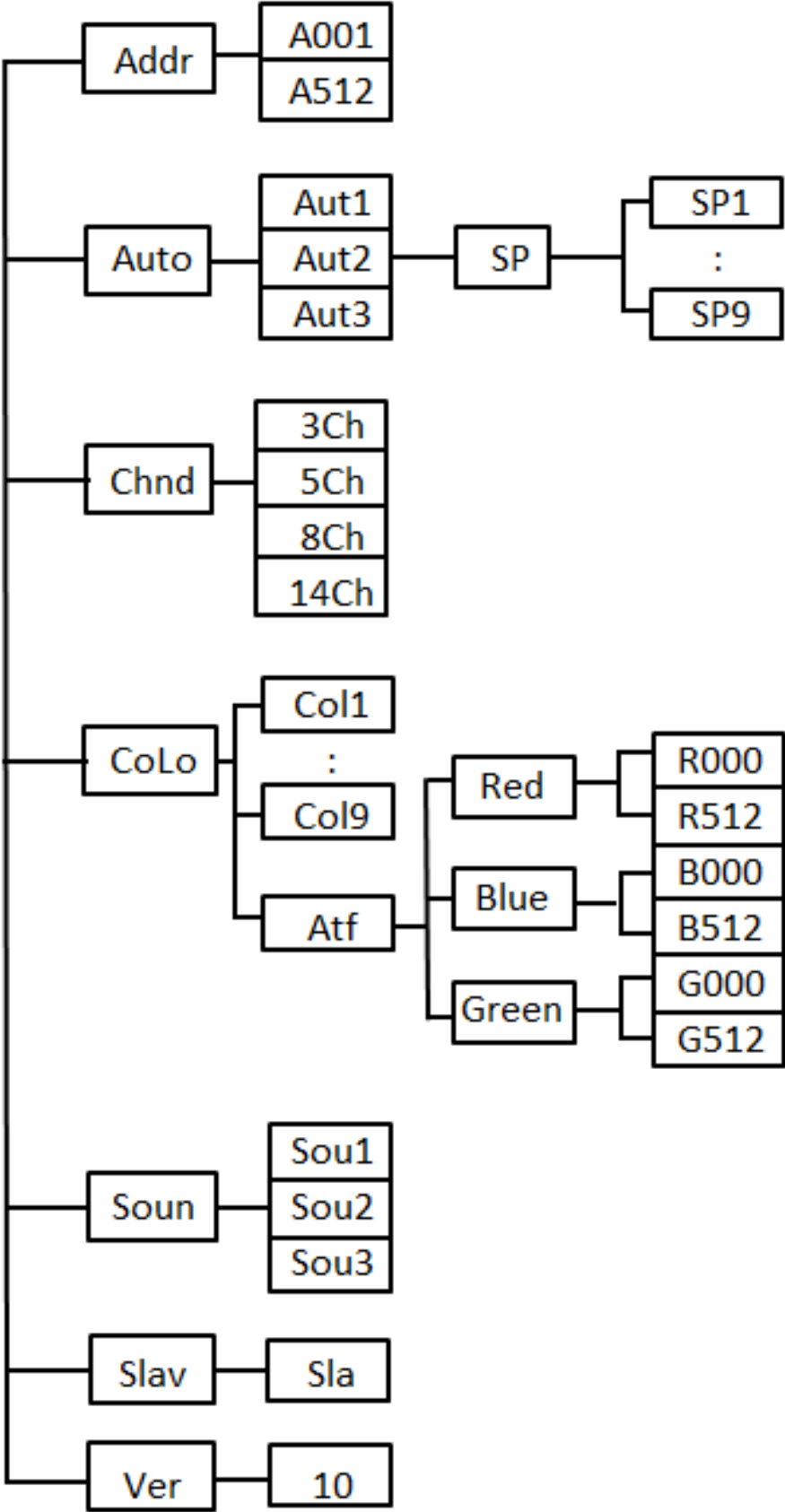
Cleaning frequency depends on the environment in which the fixture operates, damp, smoky or dirty surrounding can cause greater accumulation of dirt on the optics. Never rub or press strongly on the panel.

FUNCTIONS INTRODUCTIONS

Main Functions

- 3, 5, 8 or 14 DMX channels .
- Sound active, DMX, master/slave mode .
- 8x 3W Tri-colour LEDs
- With static colors, strobe, dimmer, color mixing and changing effects.
- Electronic dimming 0 – 100%

System menu



DMX Address – Set the DMX address

Press MENU, press the UP or DOWN button until “Addr” is displayed, press ENTER. “Axxx” will now be displayed, (“xxx” represents the displayed address). Press the UP or DOWN button to find the desired address. Press ENTER to confirm

Auto mode – This menu will let you select the desired auto mode.

Press MENU, press the UP or DOWN button until “Auto” is displayed, press ENTER. There are 3 auto modes, press the UP or DOWN button to select the desired mode, press ENTER to confirm.

Channel mode – Select the desired channel mode

Press MENU, press the UP or DOWN button until “Chnd” is displayed, press ENTER “X Ch” will now be displayed, (“X” represents the displayed channel mode). Press the UP or DOWN button to find the desired channel mode. Press ENTER to confirm.

Color mode – Select the desired color mode

Press MENU, press the UP or DOWN button until “CoLo” is displayed, press ENTER. “Colx” or ATF will now be displayed, (“X” represents a number between 1 – 9). Press the UP or DOWN button to find the desired color mode. Press ENTER to confirm. ATF: Make your own color by mixing and adjusting the Red, Blue and Green color.

Sound mode – In this mode you can select your desired sound active mode

Press MENU, press the UP or DOWN button until “soun” is displayed, press ENTER. Select the desired sound mode and press ENTER

Slave mode – In this mode the unit functions as a slave

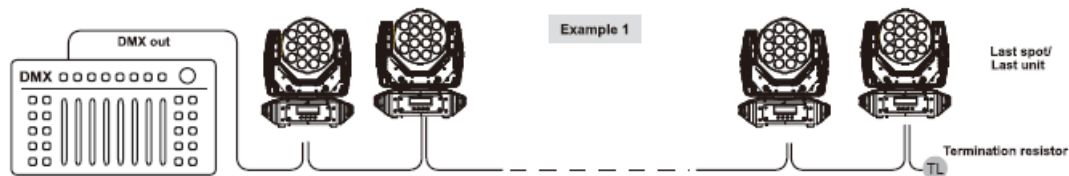
Press MENU, press the UP or DOWN button until “Slav” is displayed, press ENTER. “Sla” will now be displayed, Slave mode is confirmed. The unit will now act as a slave in Auto, sound and chase mode.

Version – Will display the software version of the unit.

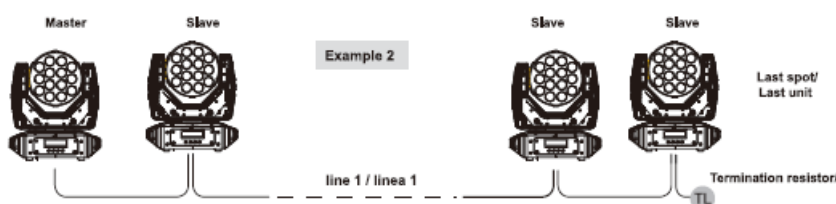
Press MENU, press the UP or DOWN button until “ver” is displayed, press ENTER. The software version of the unit will be displayed. Press MENU to leave this function

Operation Instructions

DMX connection.



Master / Slave connection.



DMX Channels:

3CH	5CH	8CH	14CH	FUN
1	3	3	3	R
2	4	4	4	G
3	5	5	5	B
		6	6	R
		7	7	G
		8	8	B
			9	R
			10	G
			11	B
			12	R
			13	G
			14	B
	1	1	1	LED main function
	2	2	2	Speed

LED main function			LED main function			CHANNEL 1
Value		Action	Value		Action	
0	7	Dimmer	128	135	Mode15	
8	15	Strobe	136	143	Mode16	
16	23	Mode1	144	151	Mode17	
24	31	Mode2	152	159	Mode18	
32	39	Mode3	160	167	Mode19	
40	47	Mode4	168	175	Mode20	
48	55	Mode5	176	183	Mode21	
56	63	Mode6	184	191	Mode22	
64	71	Mode7	192	199	Mode23	
72	79	Mode8	200	207	Mode24	
80	87	Mode9	208	215	Mode25	
88	95	Mode10	216	223	Mode26	
96	103	Mode11	224	231	Mode27	
104	111	Mode12	232	239	Sound1	
112	119	Mode13	240	247	Sound2	
120	127	Mode14	248	255	Sound3	

Speed	0	←————→	255	Channel
	Slow	←————→	Fast	2



tronios
Sound & Light

CE Declaration of Conformity

Importer: TRONIOS BV
Bedrijvenpark Twente 415
7602 KM - ALMELO

Tel : 0031546589299
Fax : 0031546589298
The Netherlands

Product number: **150.553**
Product Description: **LCB-24 LED Colorunit 8x 3W Tri DMX**
Regulatory Requirement: EN 60598-1/-2-17
EN 55015
EN 61547
EN 61000-3-2/-3-3

The product meets the requirements stated in the above mentioned Standards.

13-12-2012

Signature:

Specifications and design are subject to change without prior notice..

www.tronios.com

Copyright © 2013 by TRONIOS the Netherlands